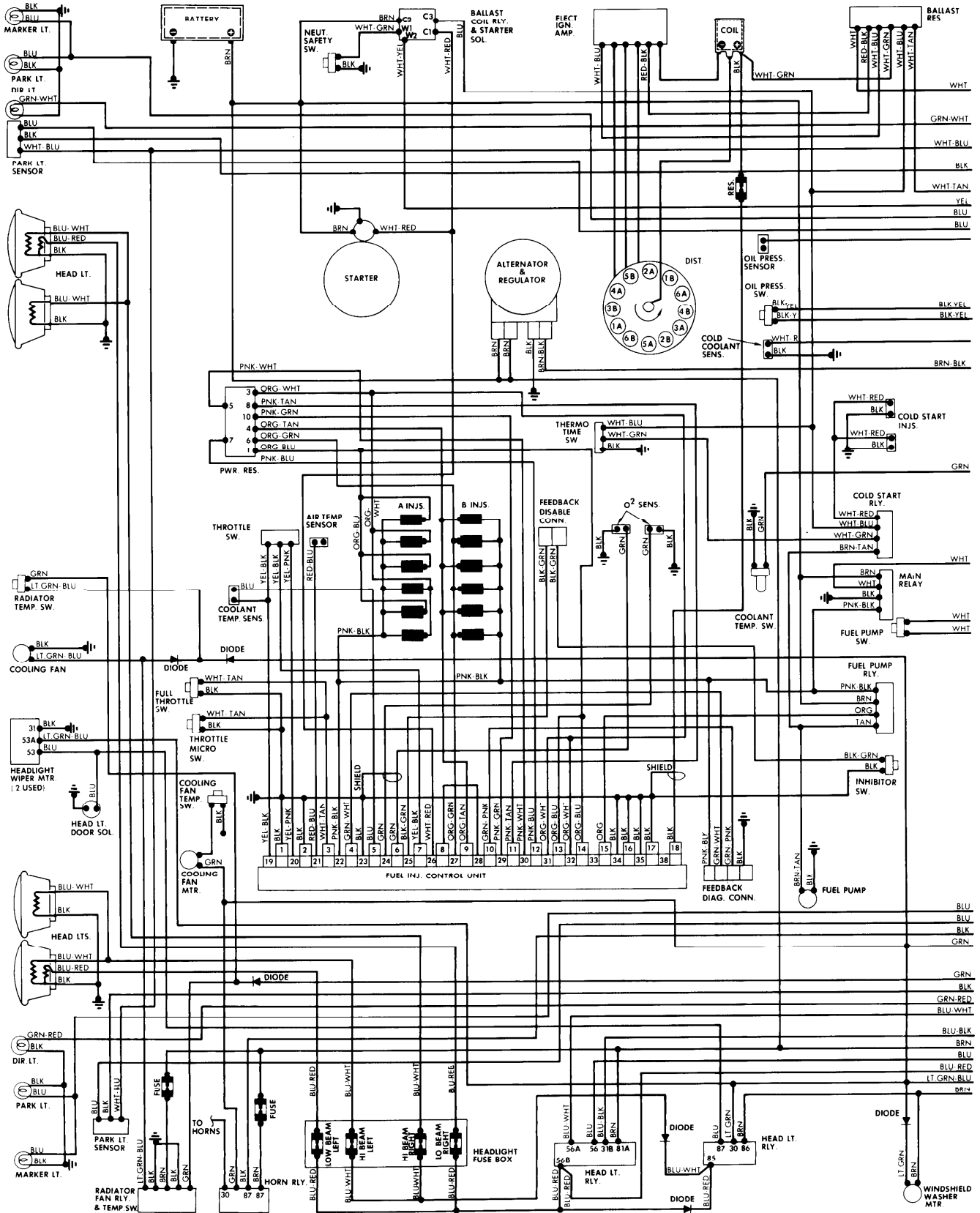


# 1982 Jaguar

## XJS

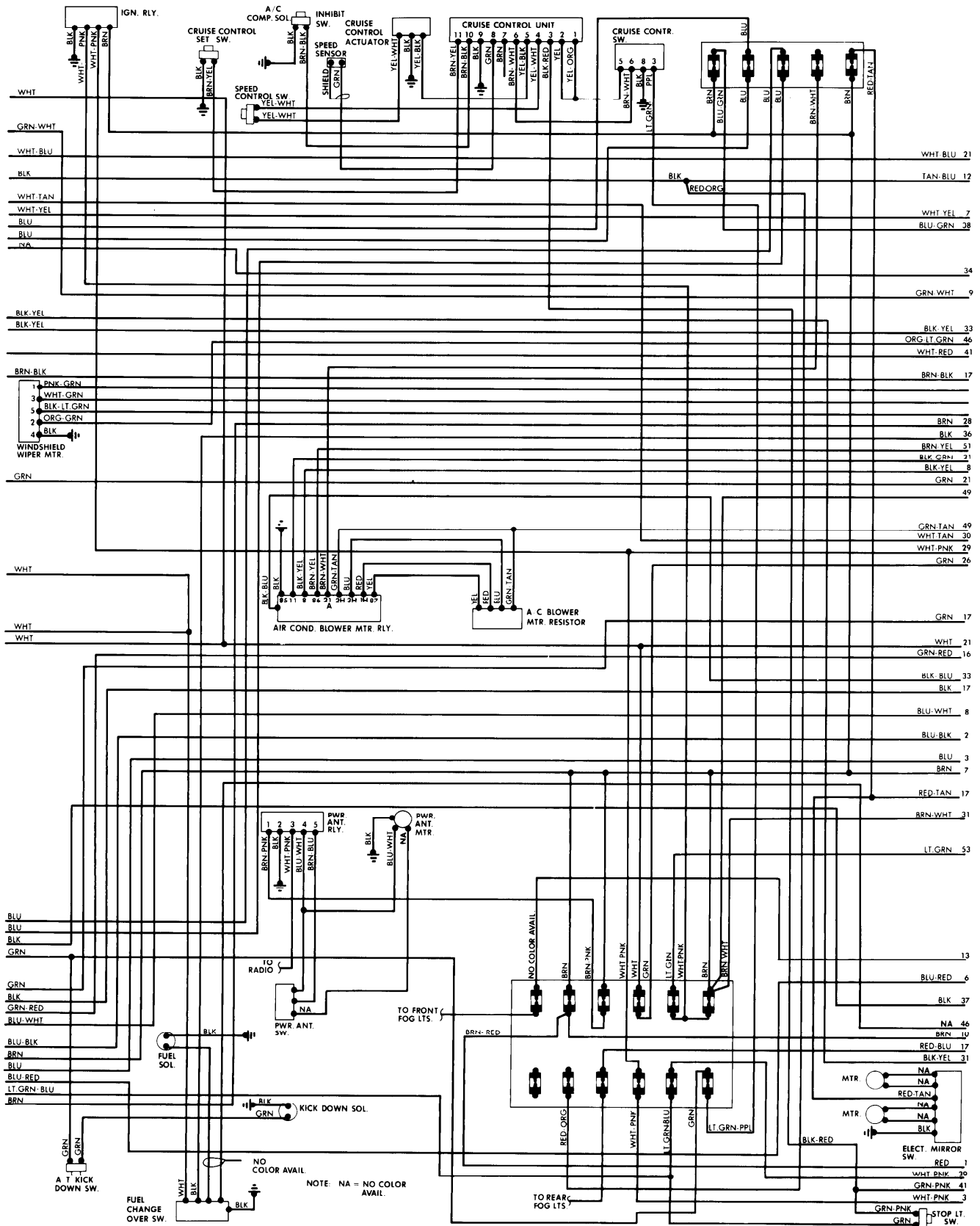
### ENGINE COMPARTMENT & FUSE BLOCK



# 1982 Jaguar

## XJS (Cont.)

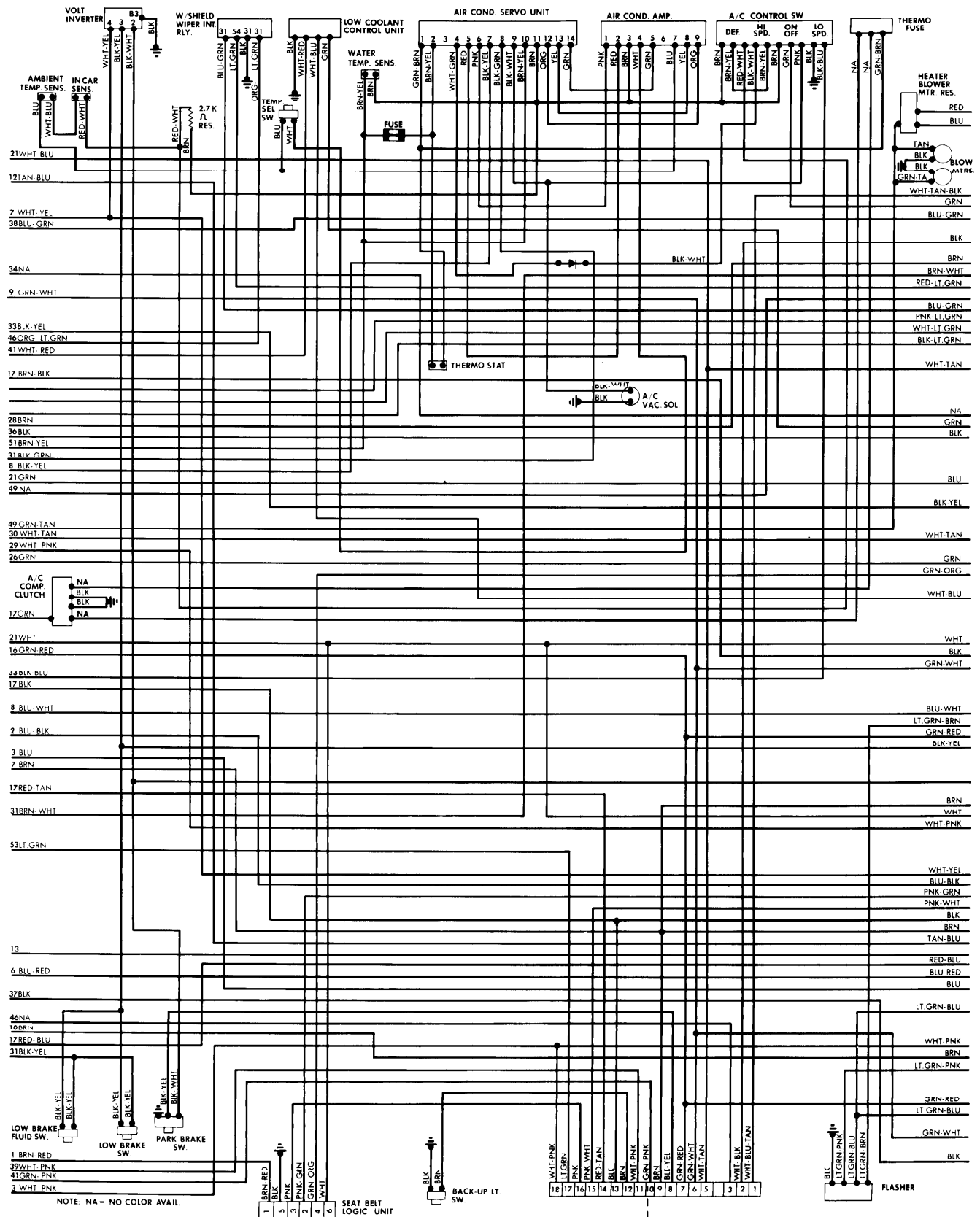
### UNDERDASH & FUSE BLOCK



# 1982 Jaguar

## XJS (Cont.)

### UNDERDASH & INSTRUMENT PANEL



# 1982 Jaguar

4-111

## XJS (Cont.)

### INSTRUMENT PANEL & REAR COMPARTMENT

