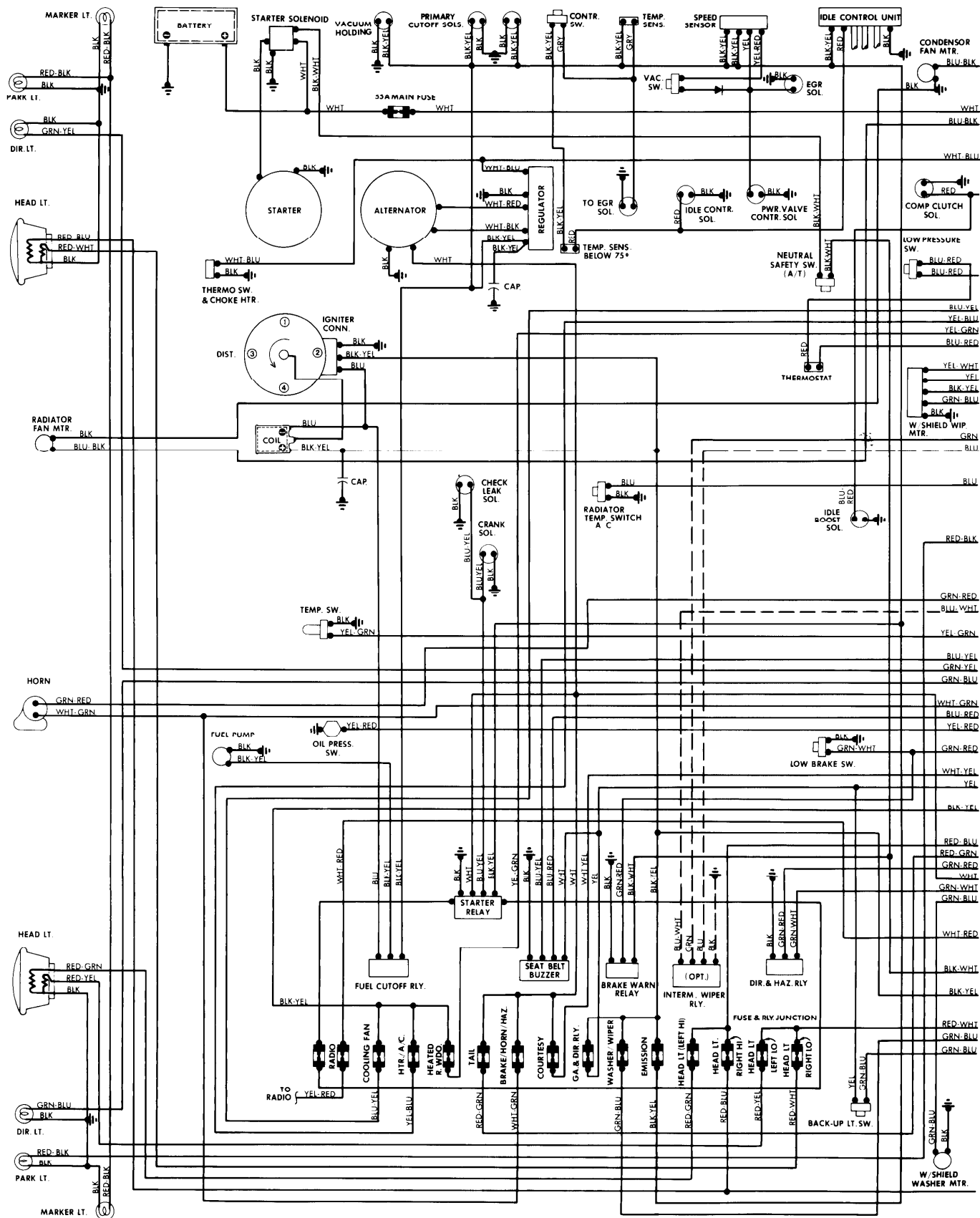


# 1982 Honda CIVIC

## ENGINE COMPARTMENT & FUSE BLOCK



# 1982 Honda

## CIVIC (Cont.)

### INSTRUMENT PANEL, UNDERDASH & REAR COMPARTMENT

