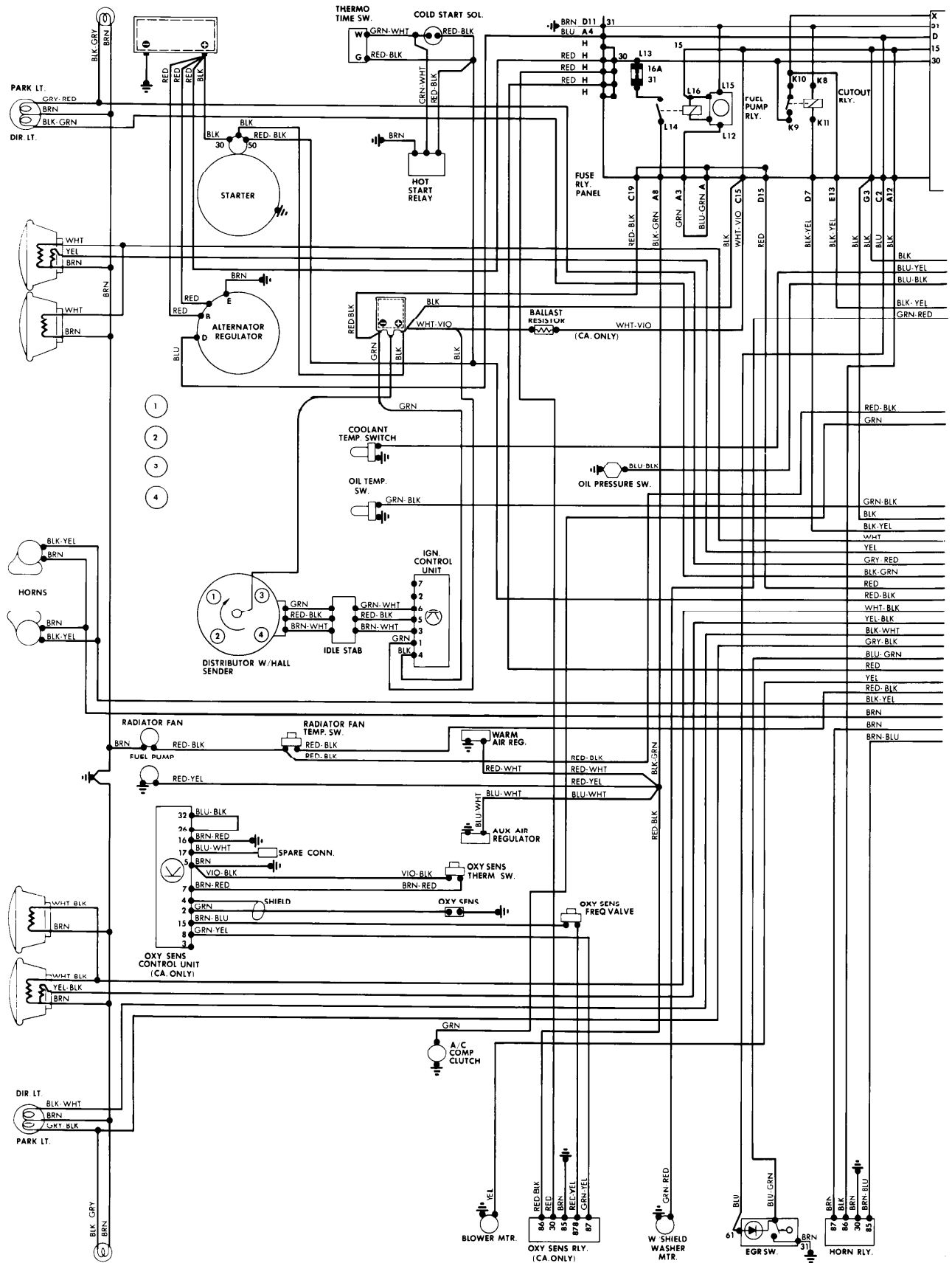


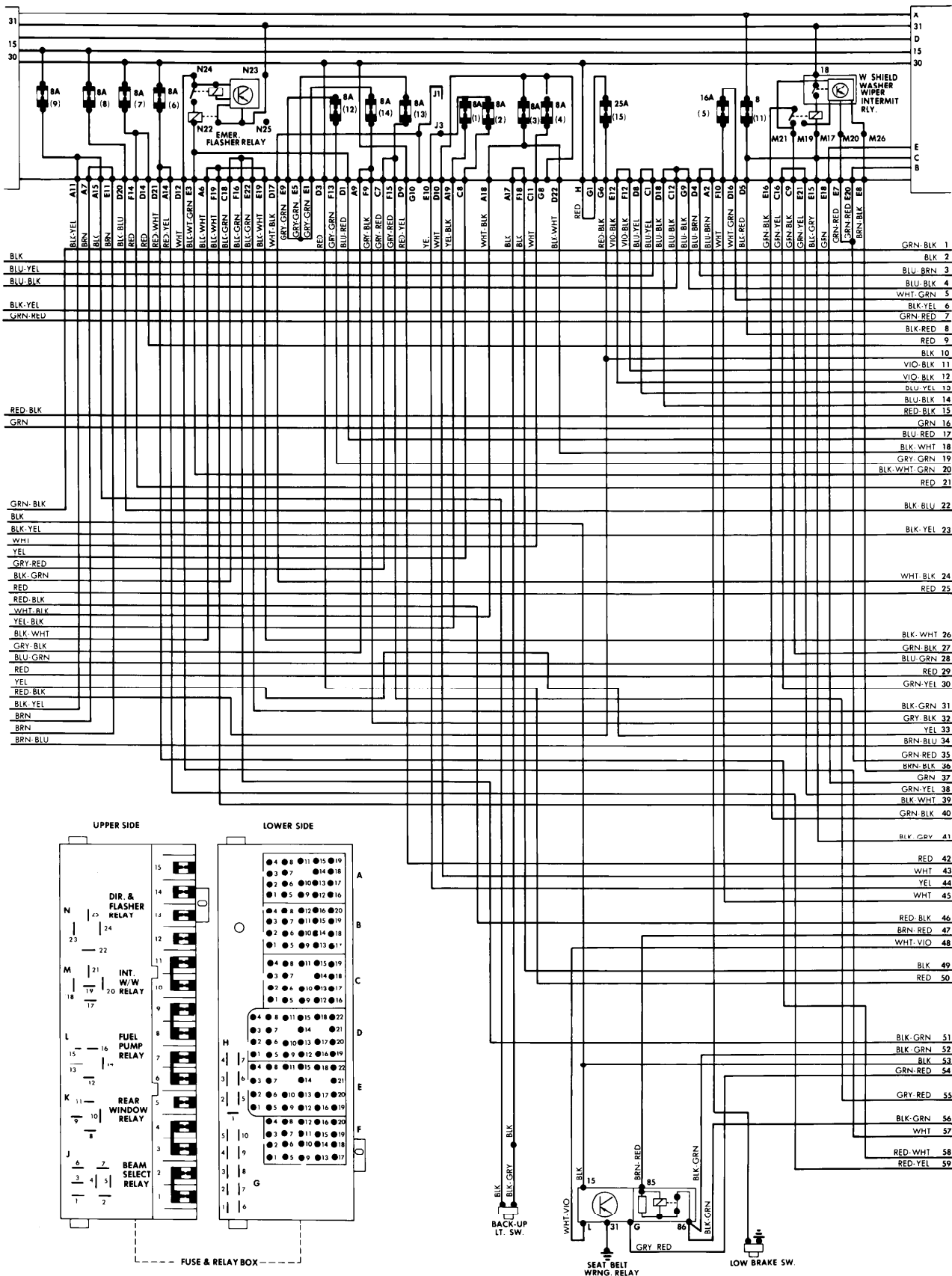
1981 Volkswagen

ENGINE COMPARTMENT

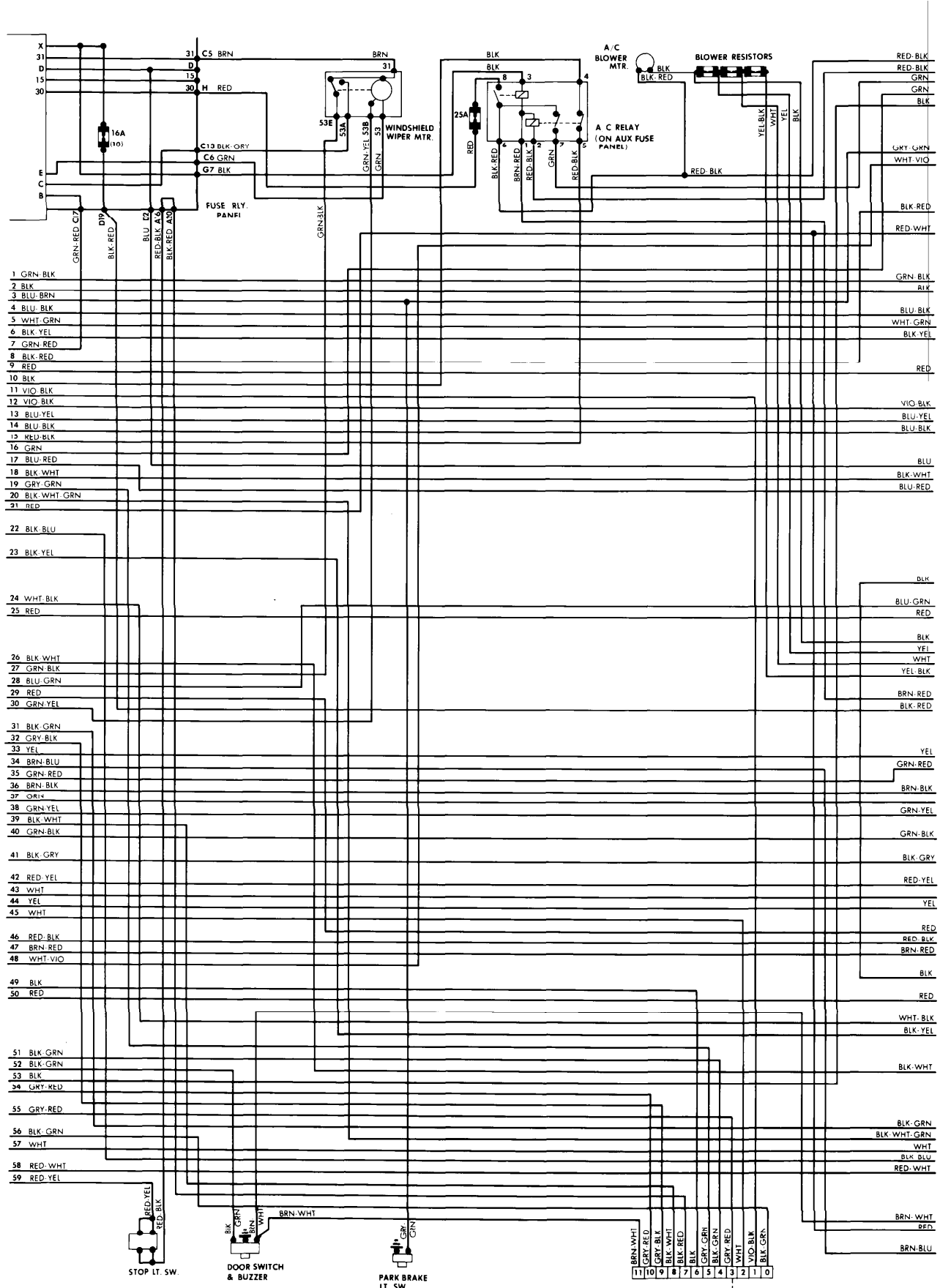


UNDERDASH & FUSEBOX

WIRING DIAGRAMS



UNDERDASH



INSTRUMENT PANEL & REAR COMPARTMENT

WIRING DIAGRAMS

