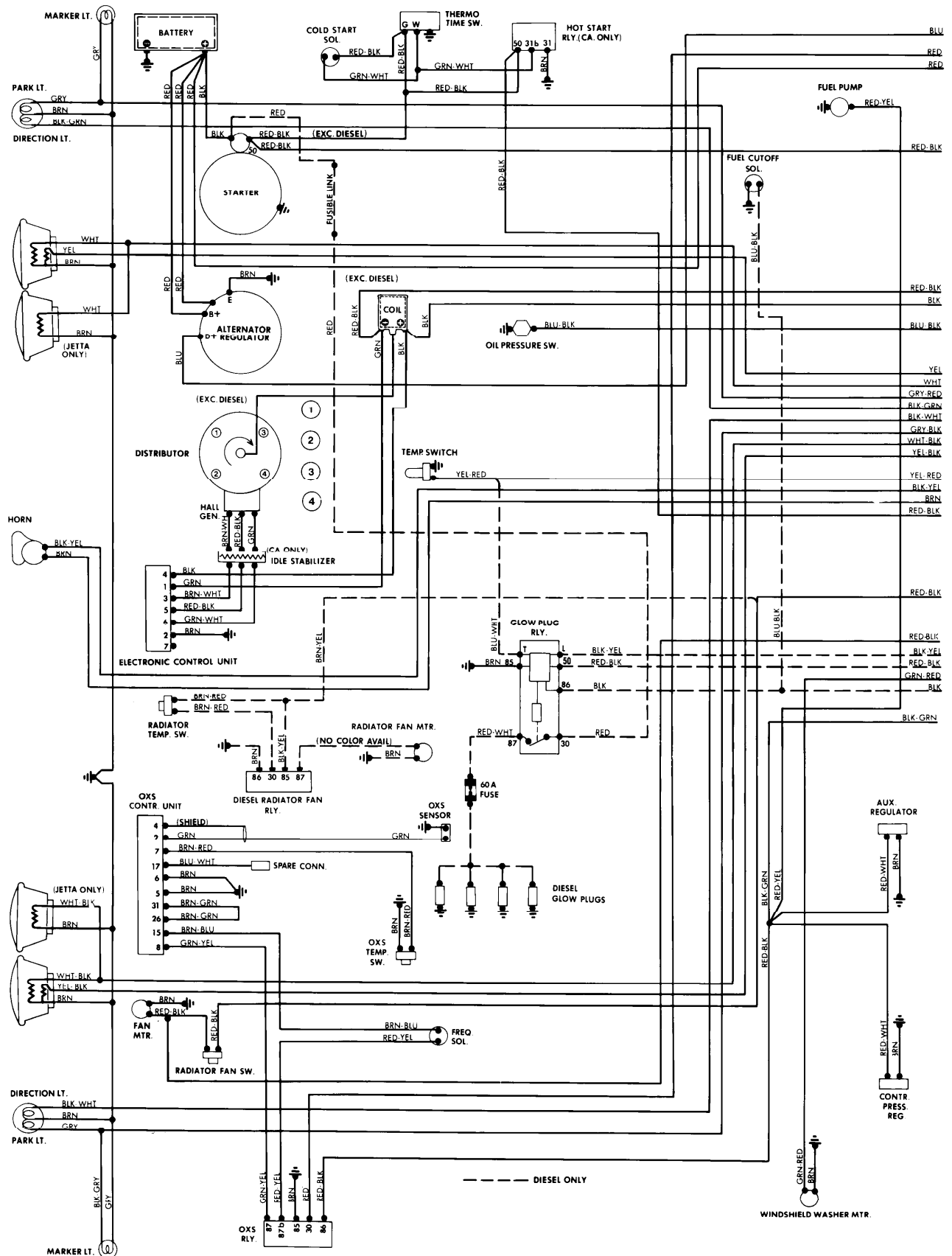


## ENGINE COMPARTMENT



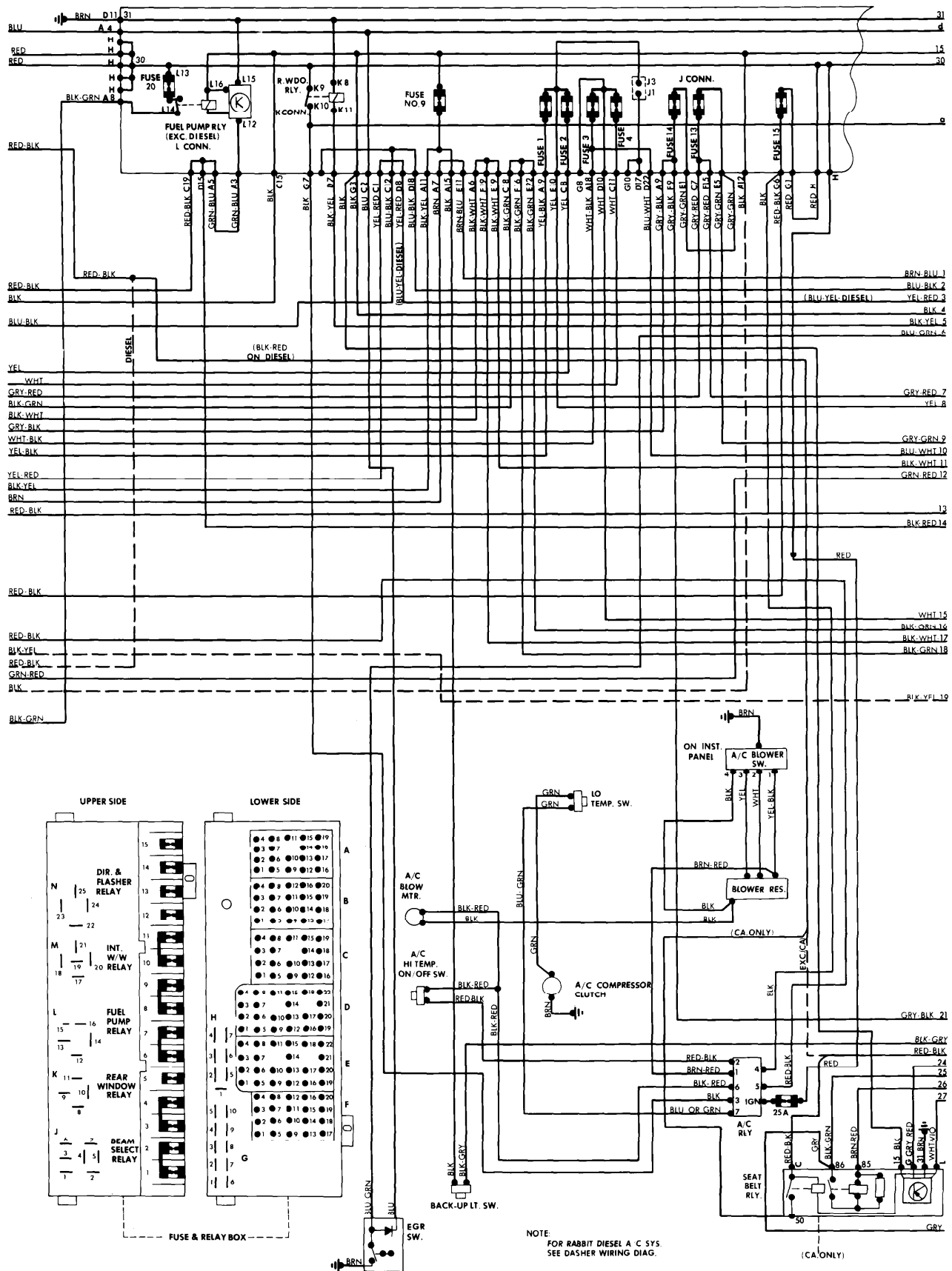
# 1981 Volkswagen

Jetta Rabbit Convertible

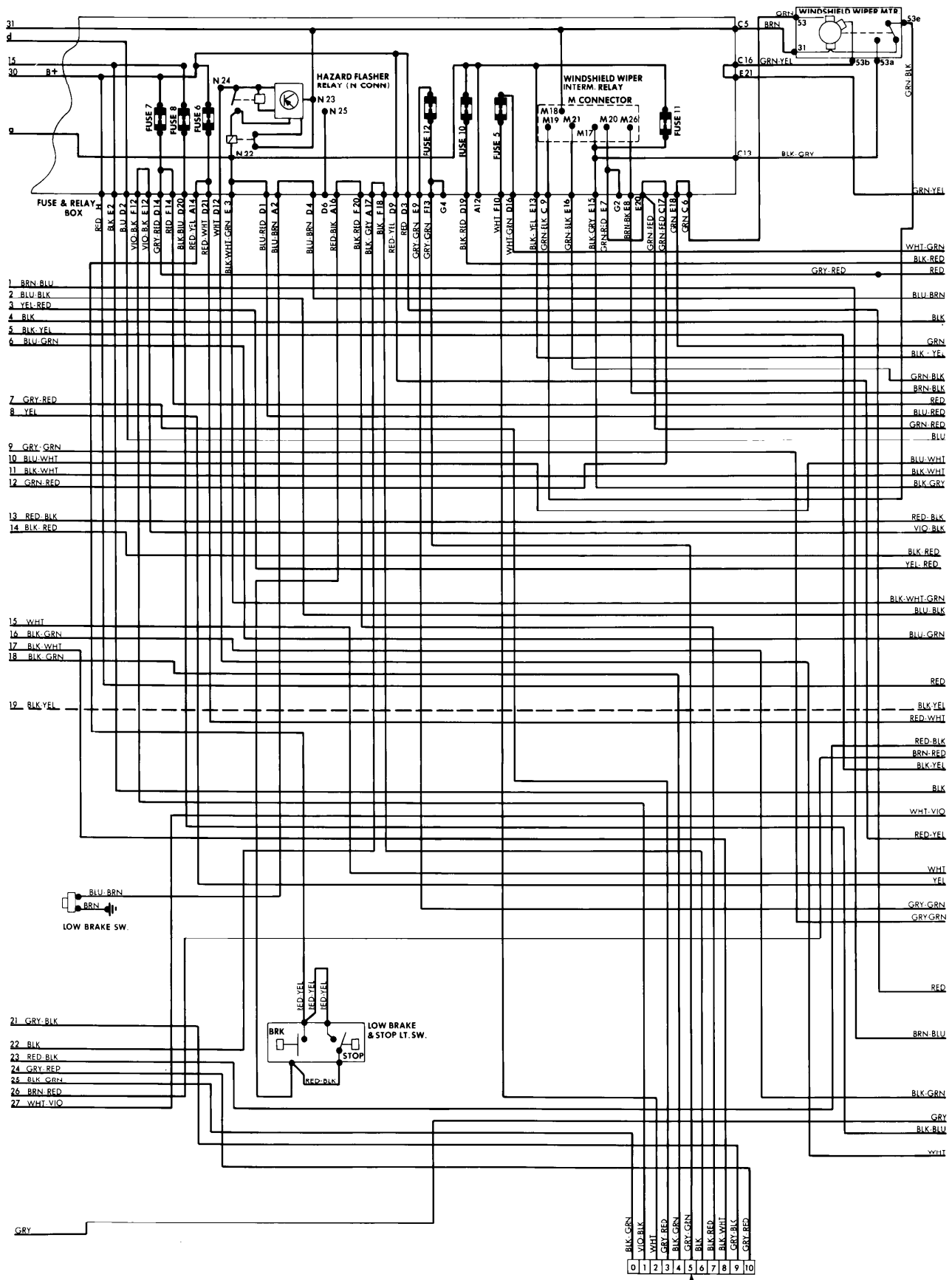
4-199

## ENGINE COMPARTMENT, FUSE BLOCK & UNDERDASH

WIRING DIAGRAMS



## UNDERDASH



## INSTRUMENT PANEL & REAR COMPARTMENT

WIRING DIAGRAMS

