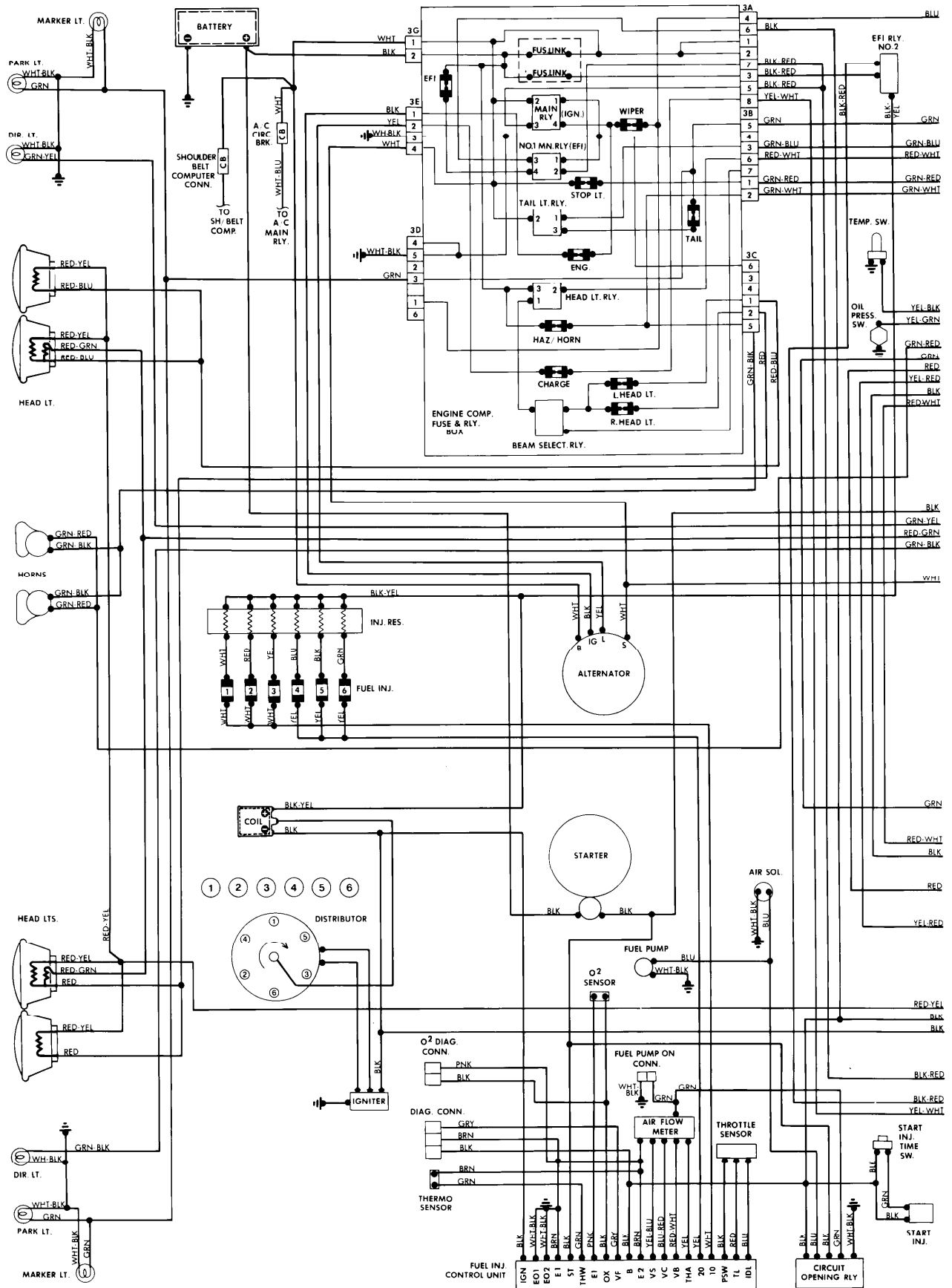
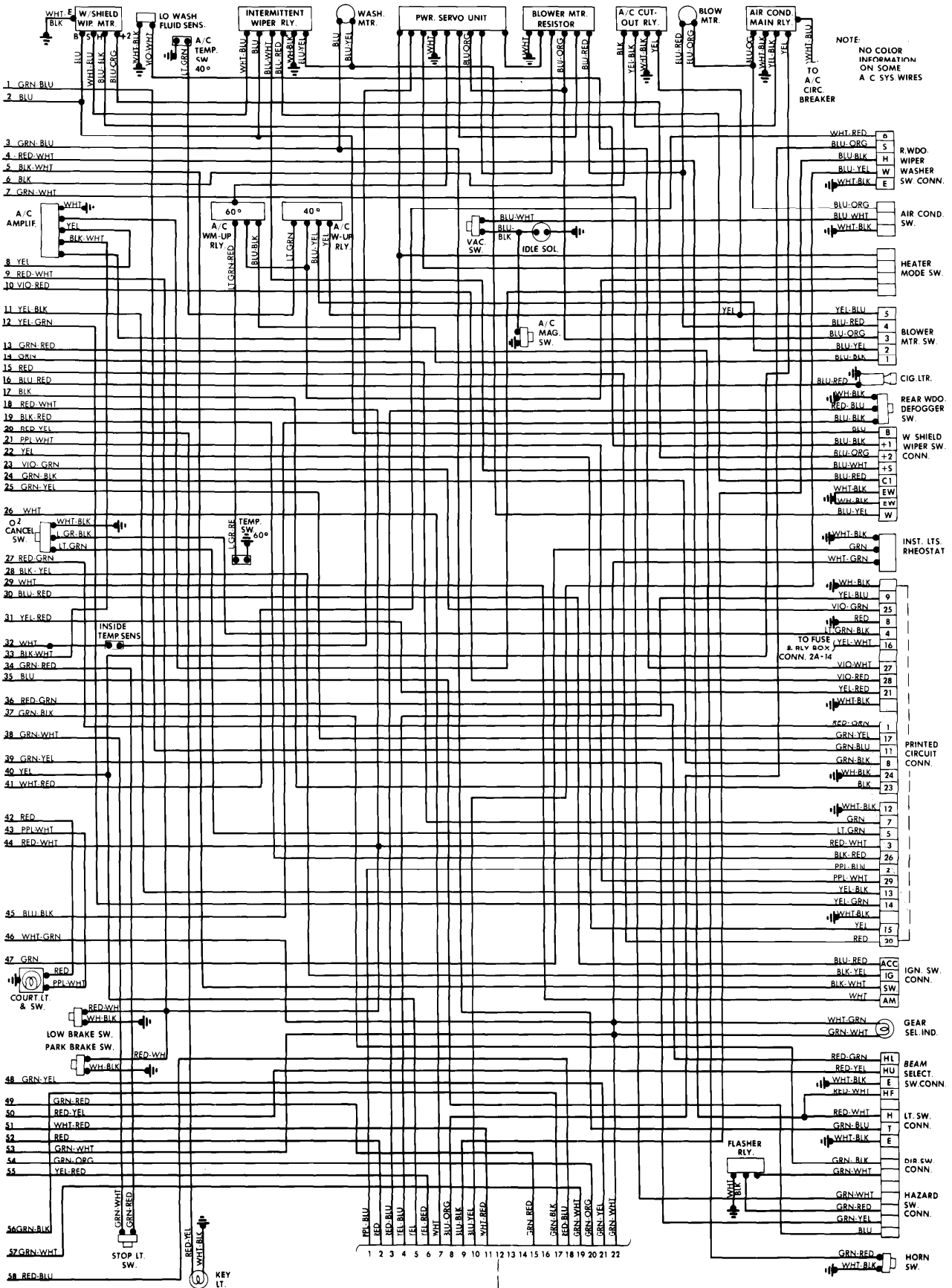


## ENGINE COMPARTMENT





## UNDERDASH



## INSTRUMENT PANEL & REAR COMPARTMENT

WIRING DIAGRAMS

