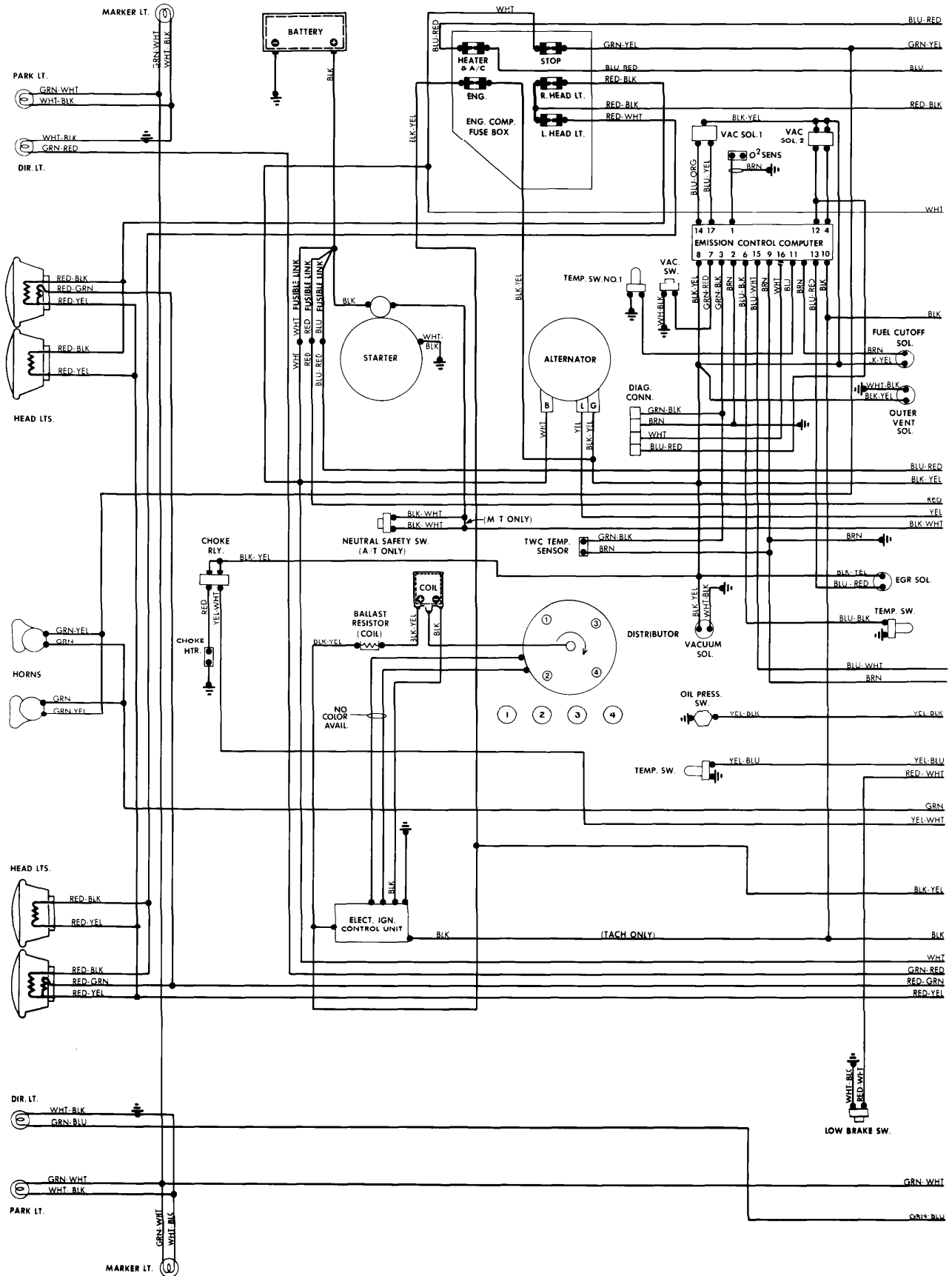


## ENGINE COMPARTMENT & FUSE BLOCK

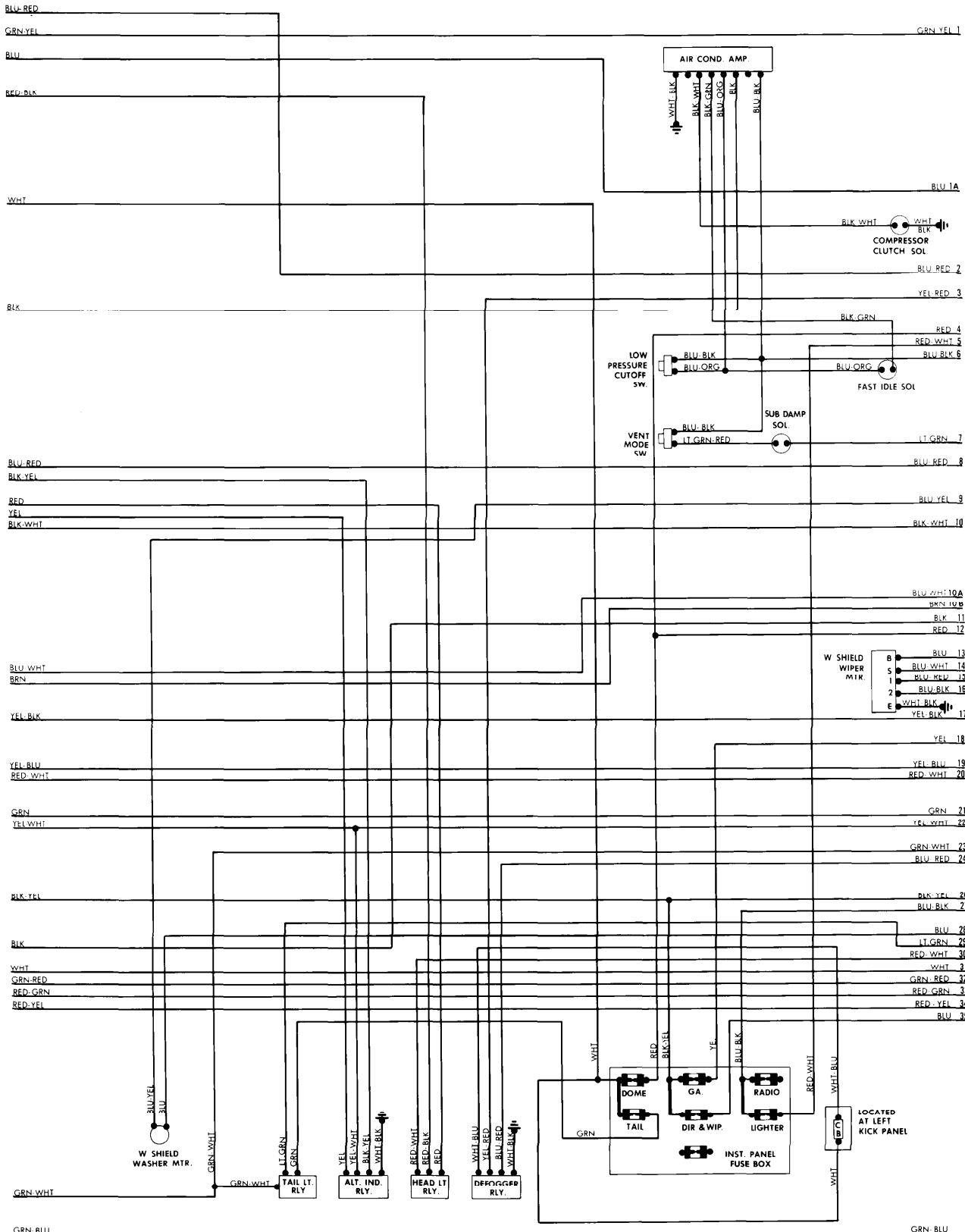


# 1981 Toyota

Celica 4-163

## UNDERDASH & FUSE BLOCK

WIRING DIAGRAMS



# 1981 Toyota

## UNDERDASH

