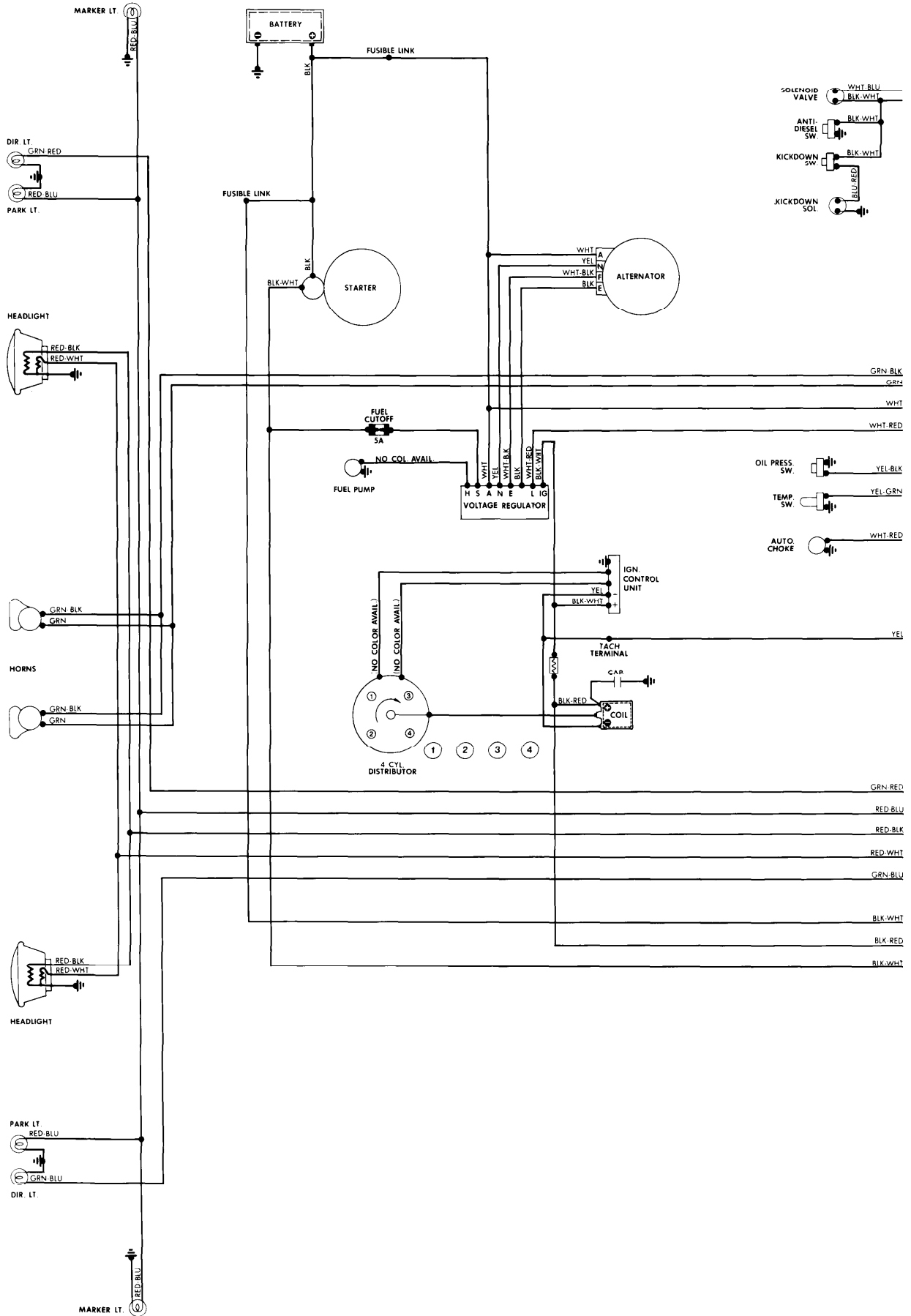
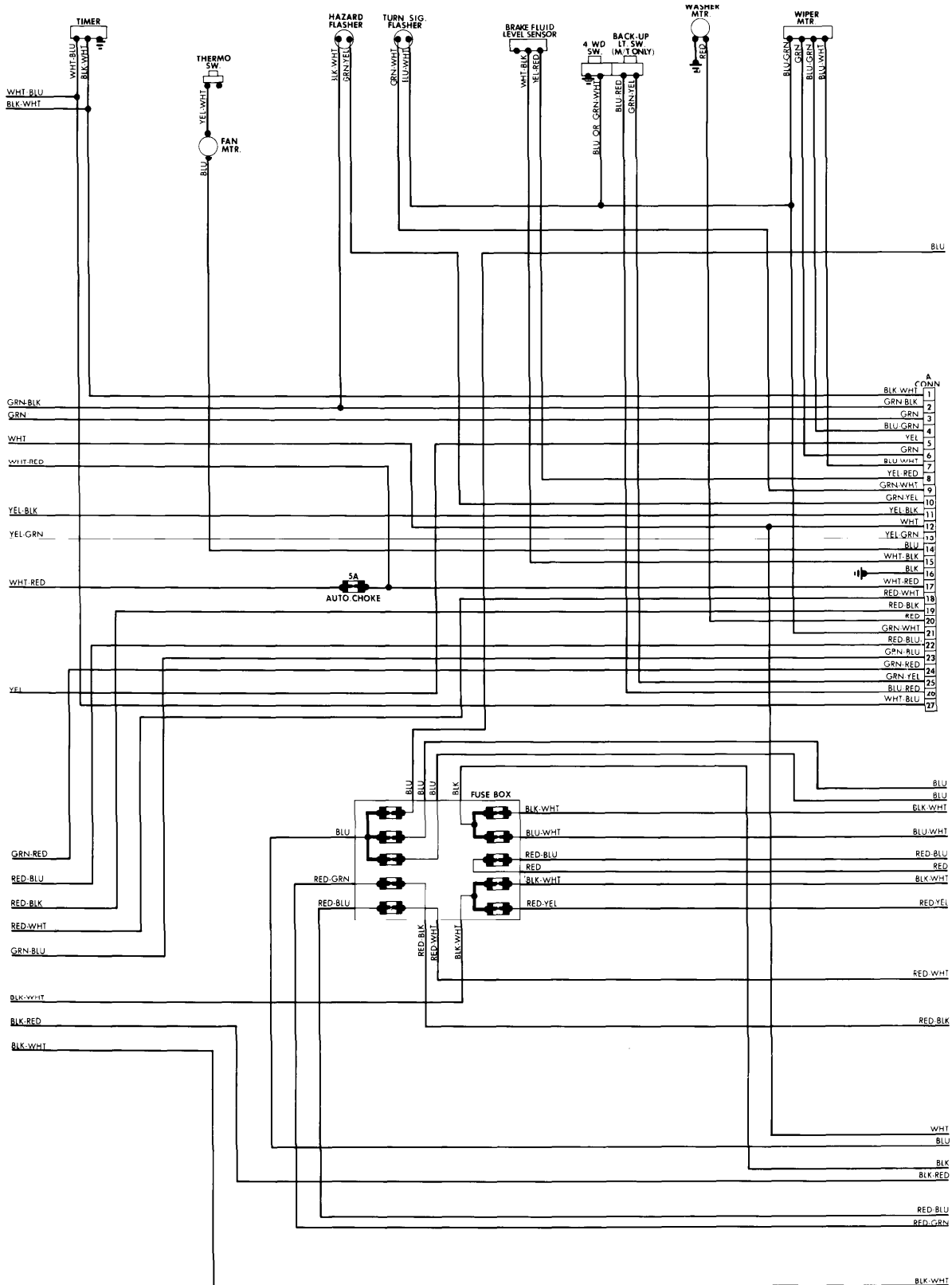


## ENGINE COMPARTMENT

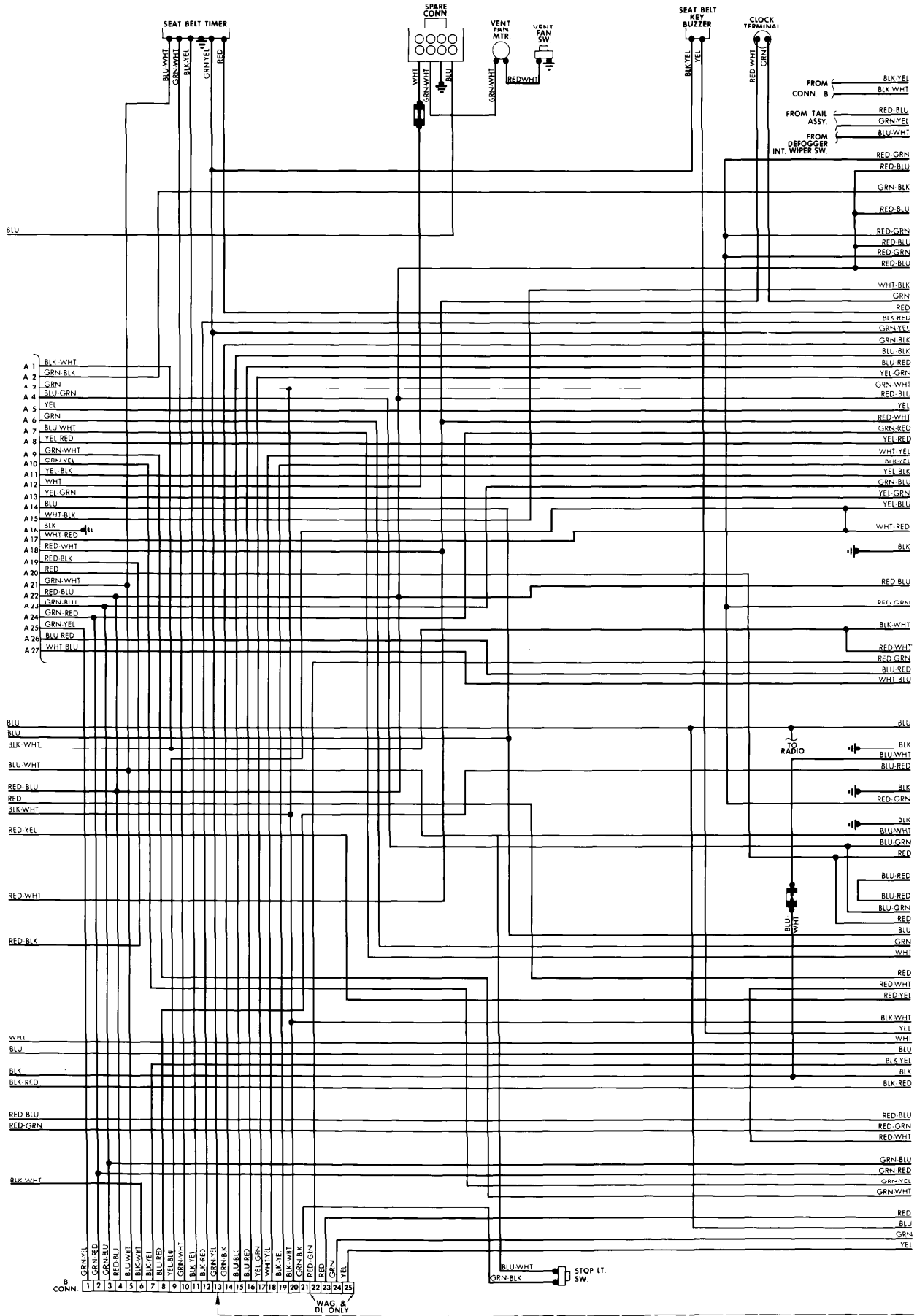


## UNDERDASH & FUSE BLOCK

WIRING DIAGRAMS



## UNDERDASH



INSTRUMENT PANEL & REAR COMPARTMENT

WIRING DIAGRAMS

