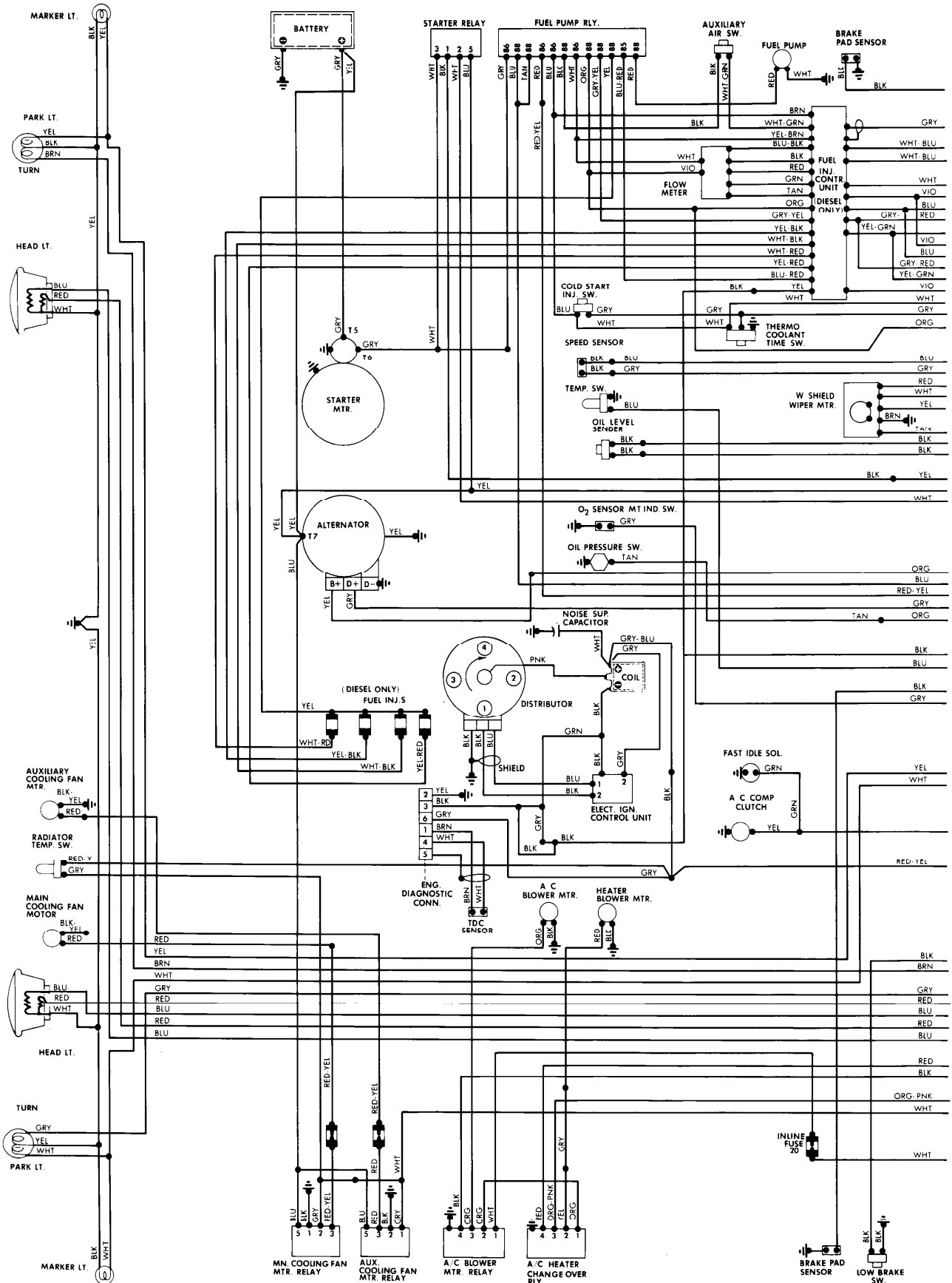
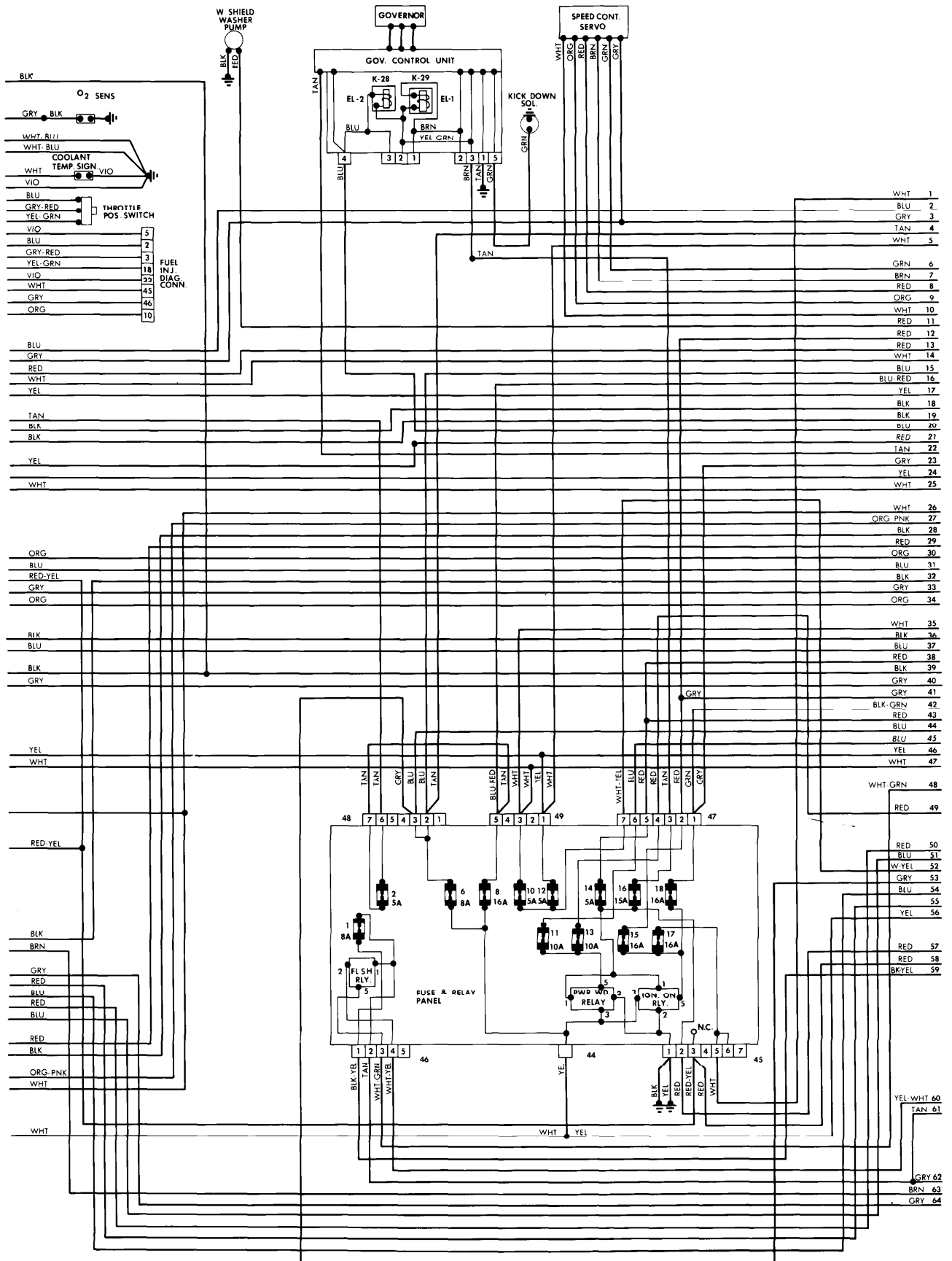


## ENGINE COMPARTMENT



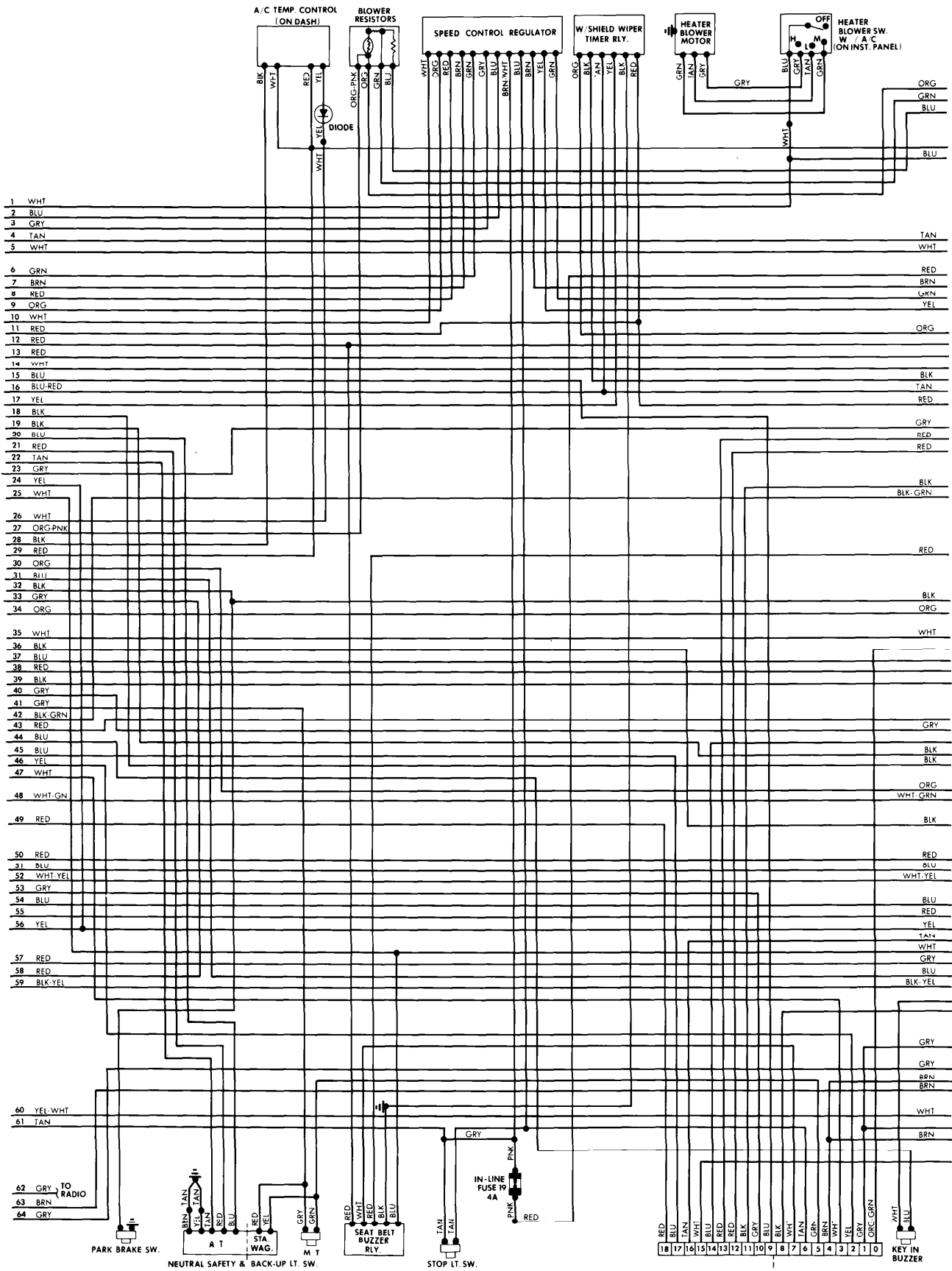
## ENGINE COMPARTMENT & FUSE BLOCK

WIRING DIAGRAMS



# 1981 Renault

## UNDERDASH



## INSTRUMENT PANEL & REAR COMPARTMENT

WIRING DIAGRAMS

