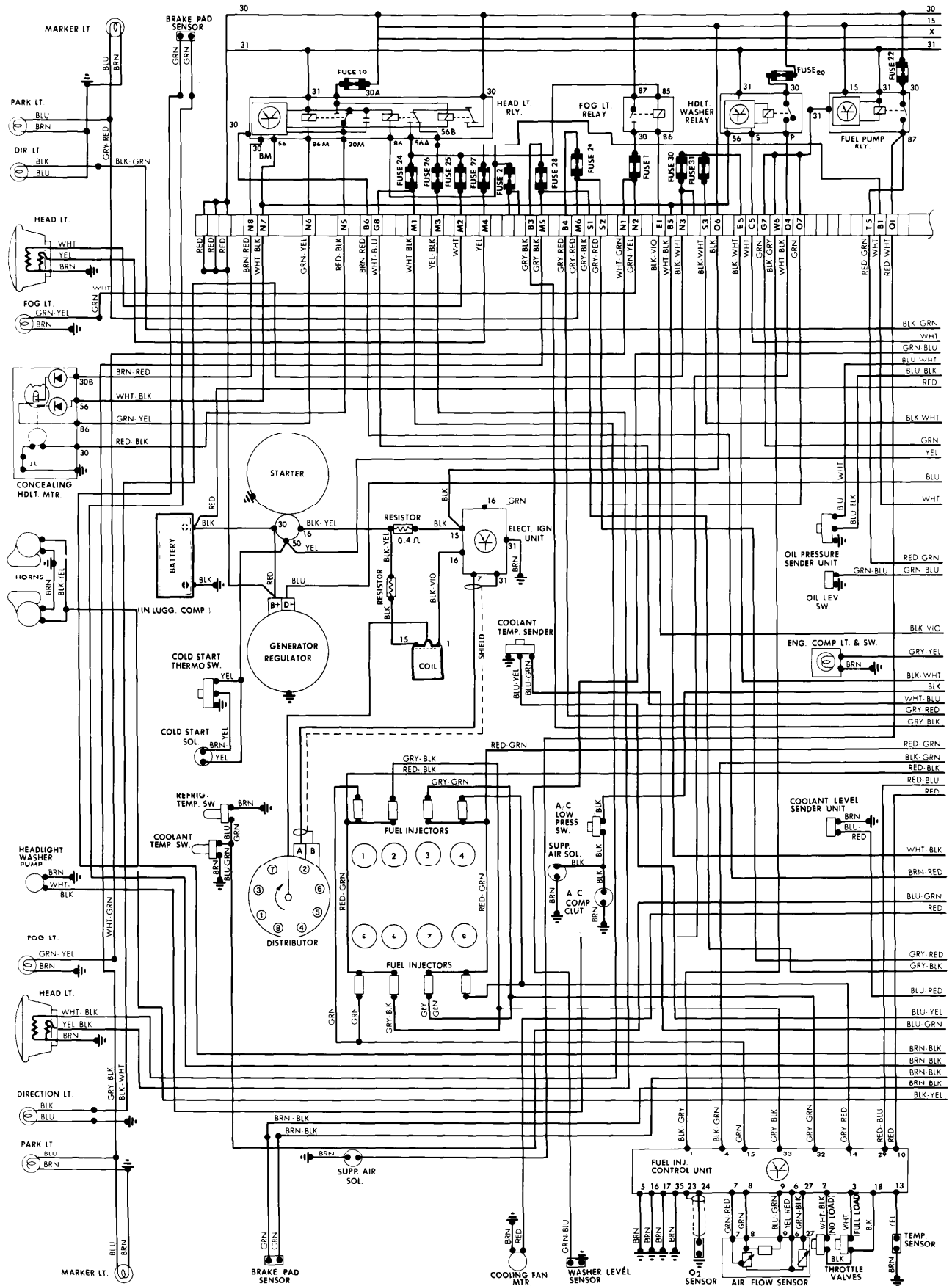
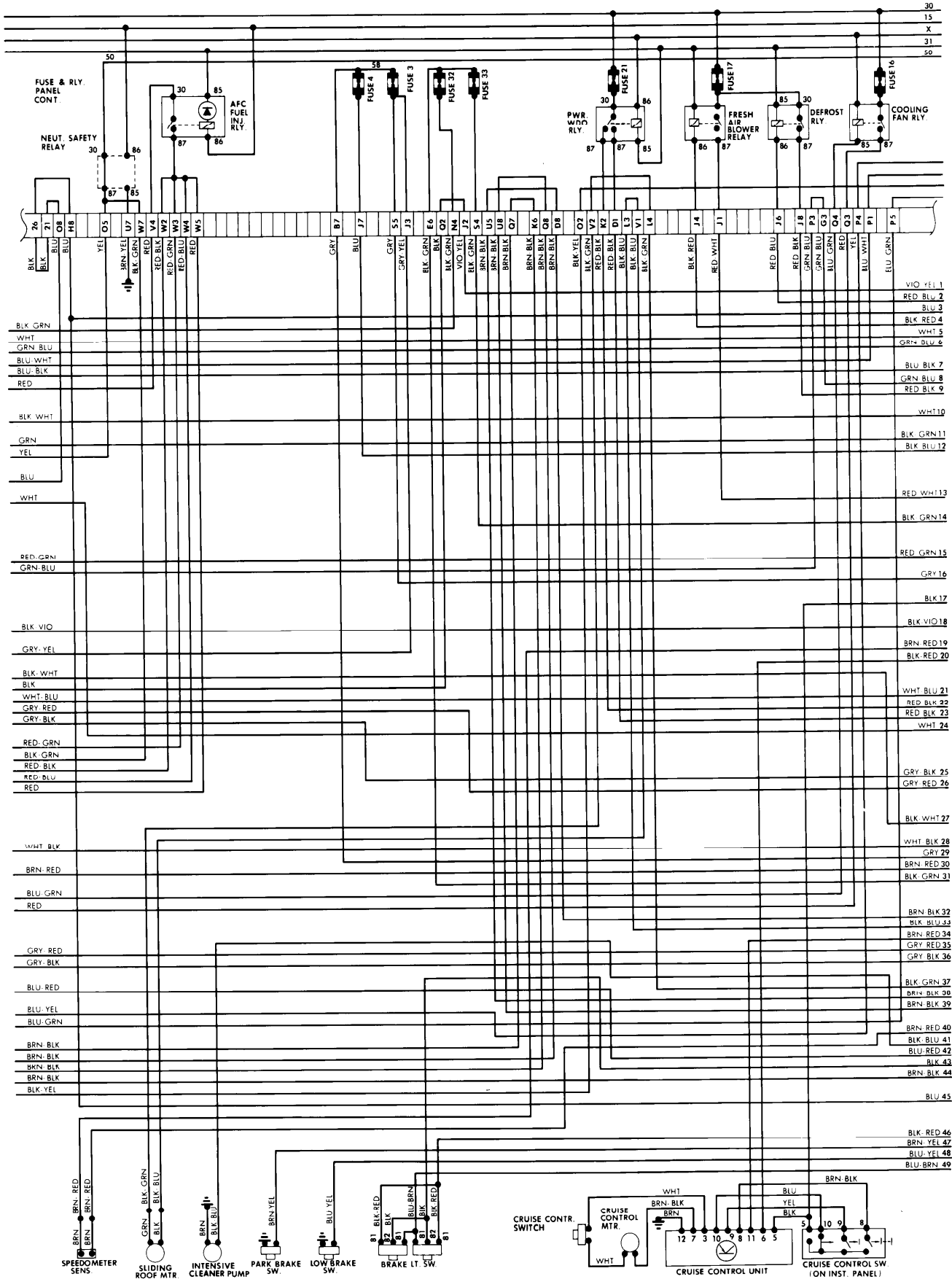


ENGINE COMPARTMENT & FUSE BLOCK

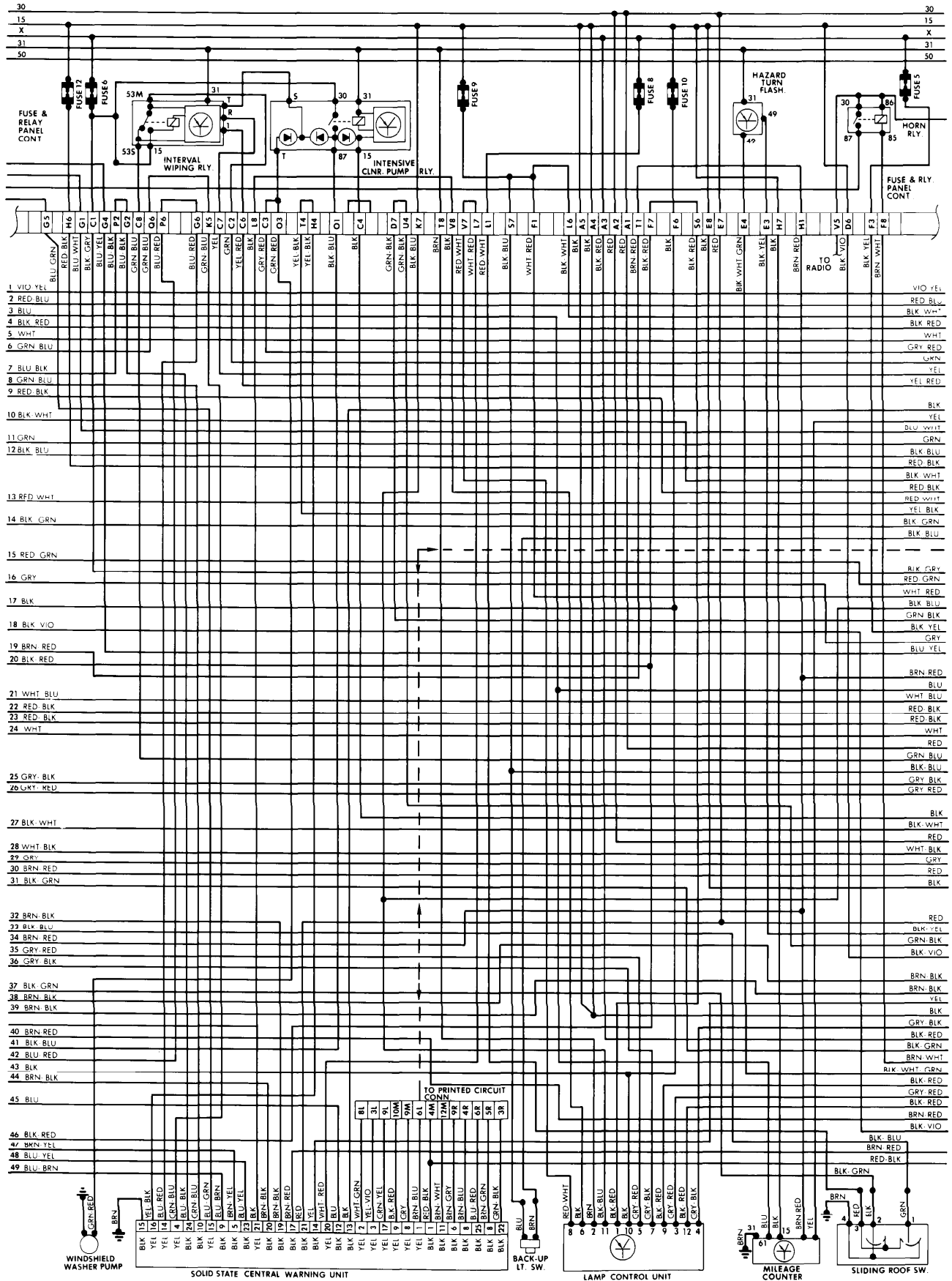


UNDERDASH & FUSE BLOCK

WIRING DIAGRAMS

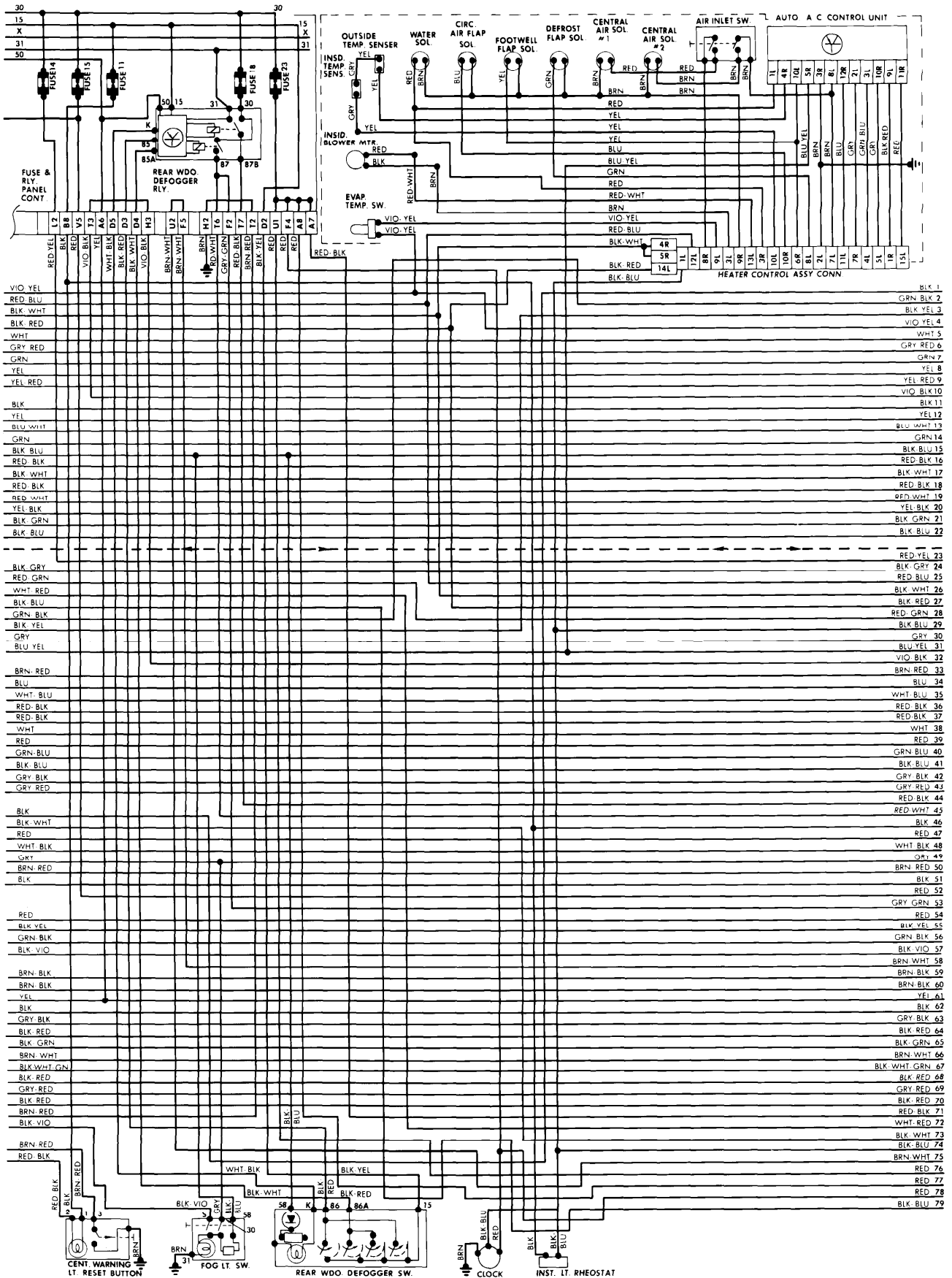


UNDERDASH & FUSE BLOCK

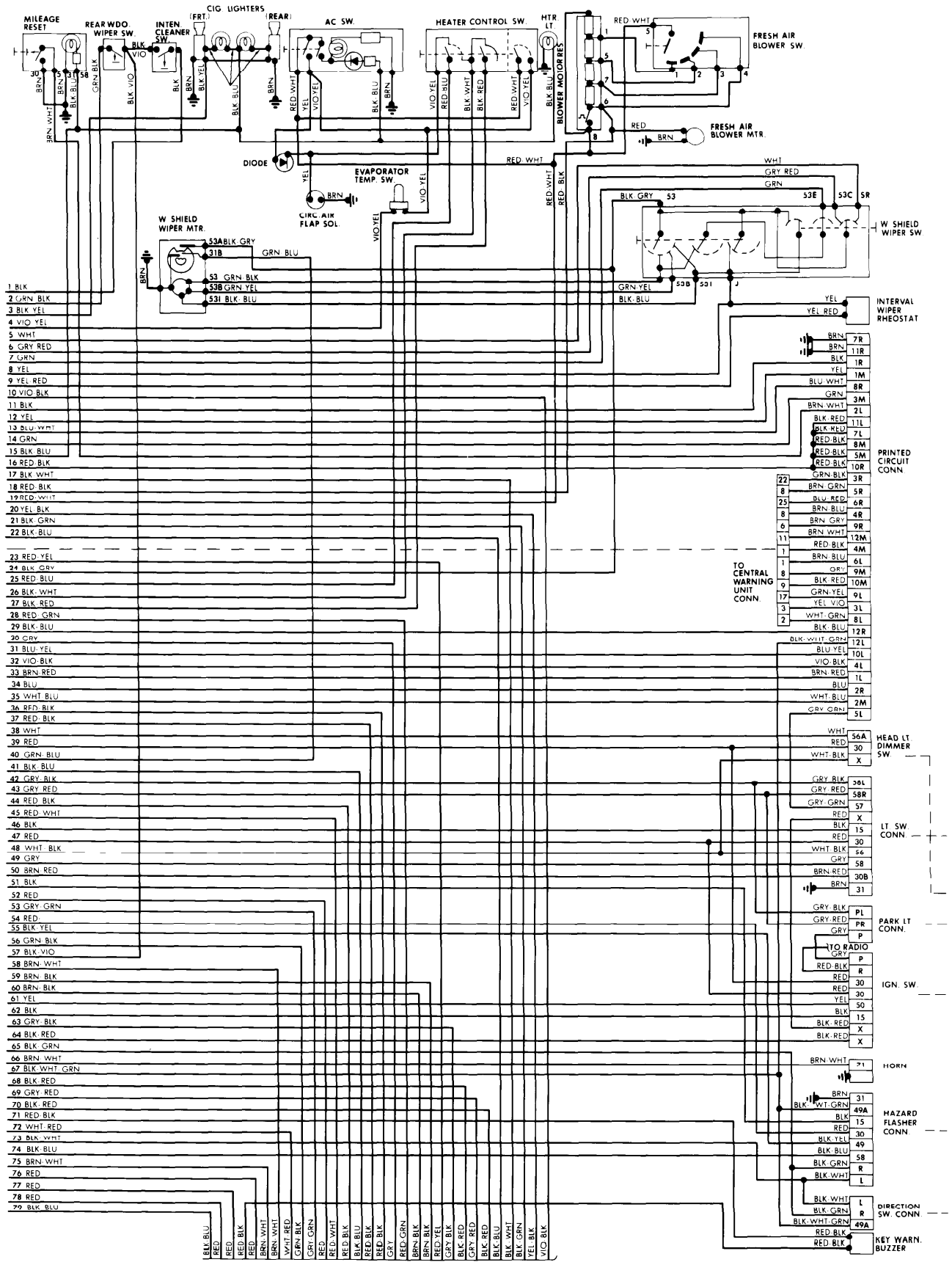


UNDERDASH & FUSE BLOCK

WIRING DIAGRAMS



INSTRUMENT PANEL



INSTRUMENT PANEL & REAR COMPARTMENT

WIRING DIAGRAMS

