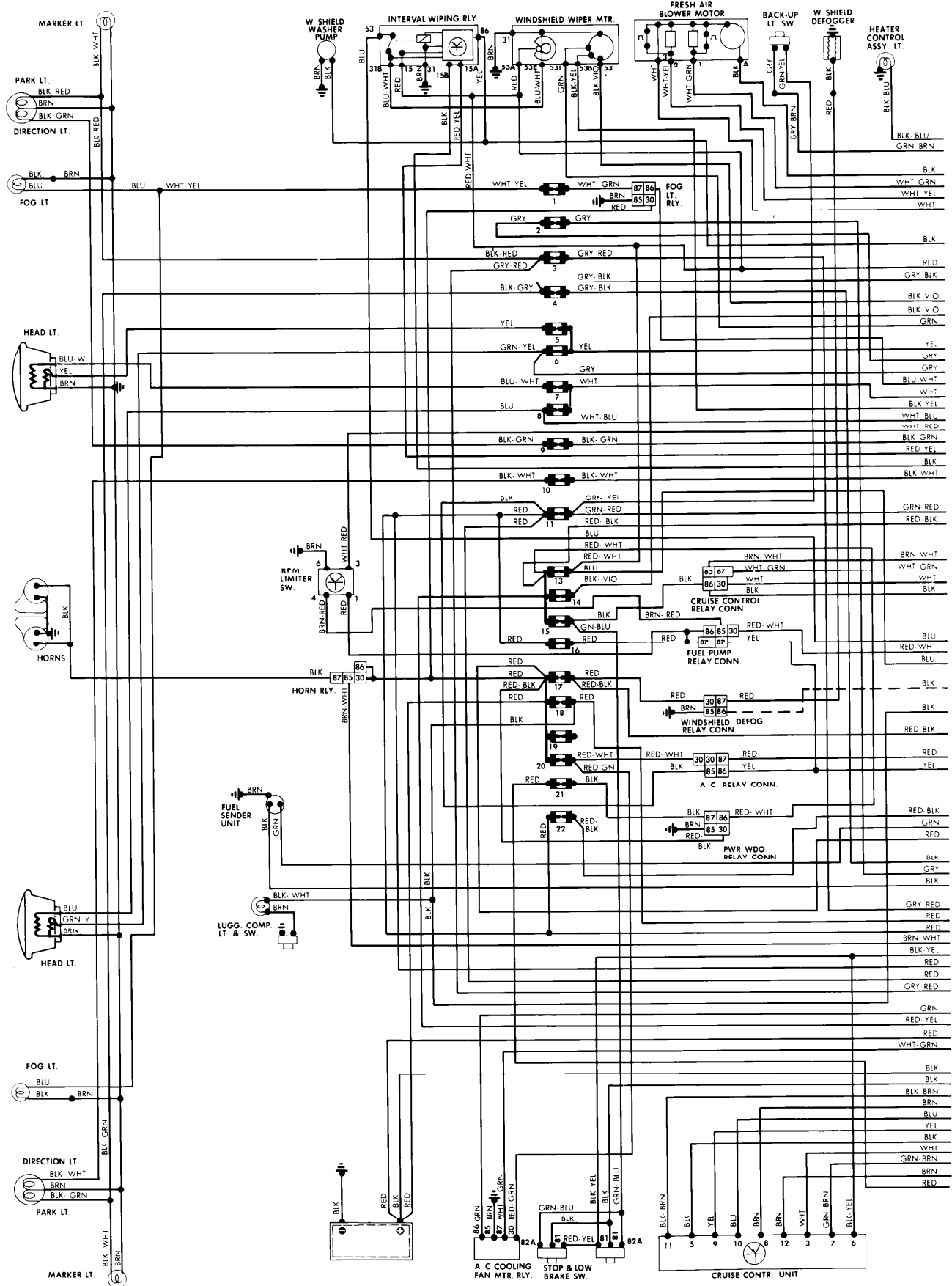


## FRONT COMPARTMENT & FUSE BLOCK





## INSTRUMENT PANEL & ACCESSORIES

