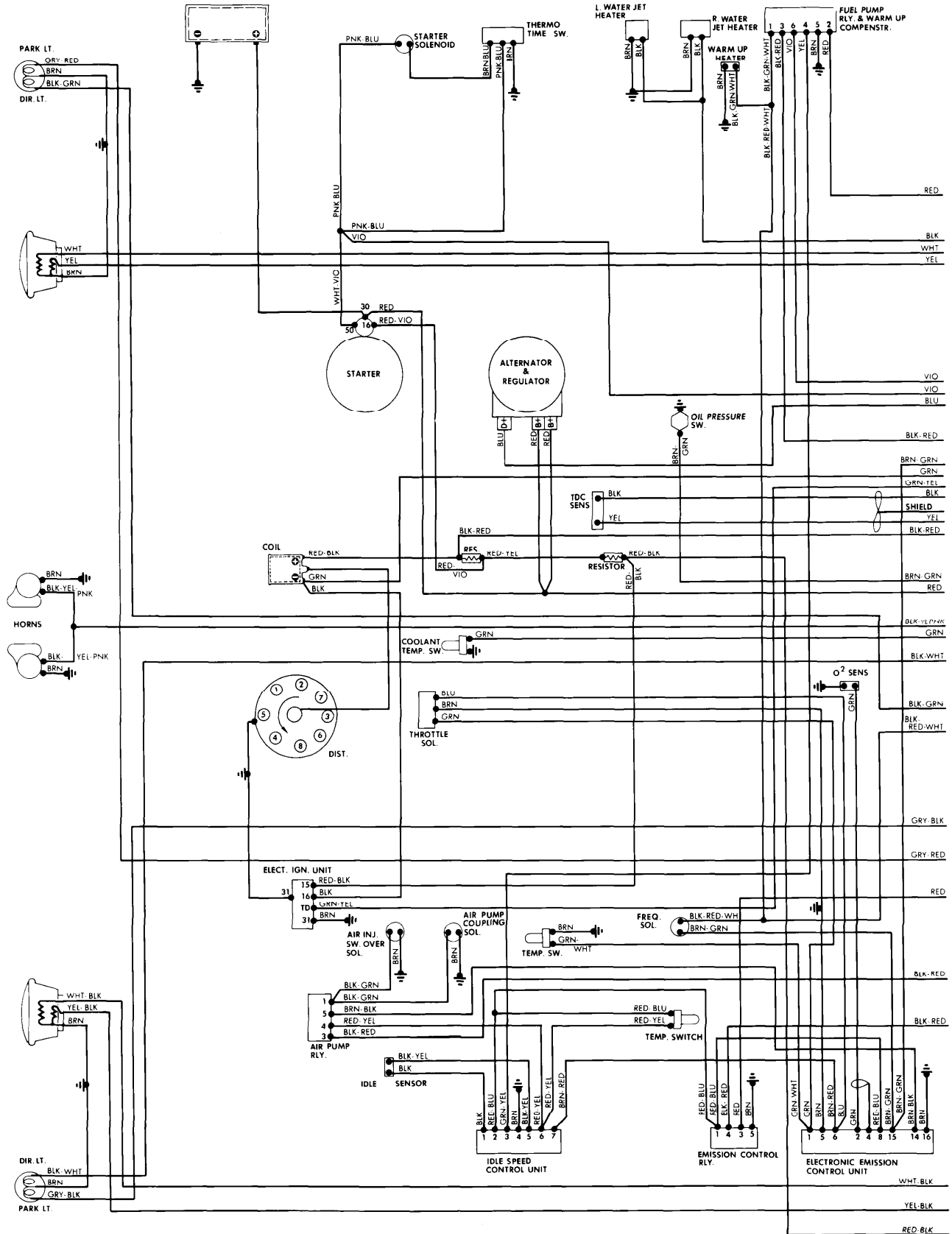
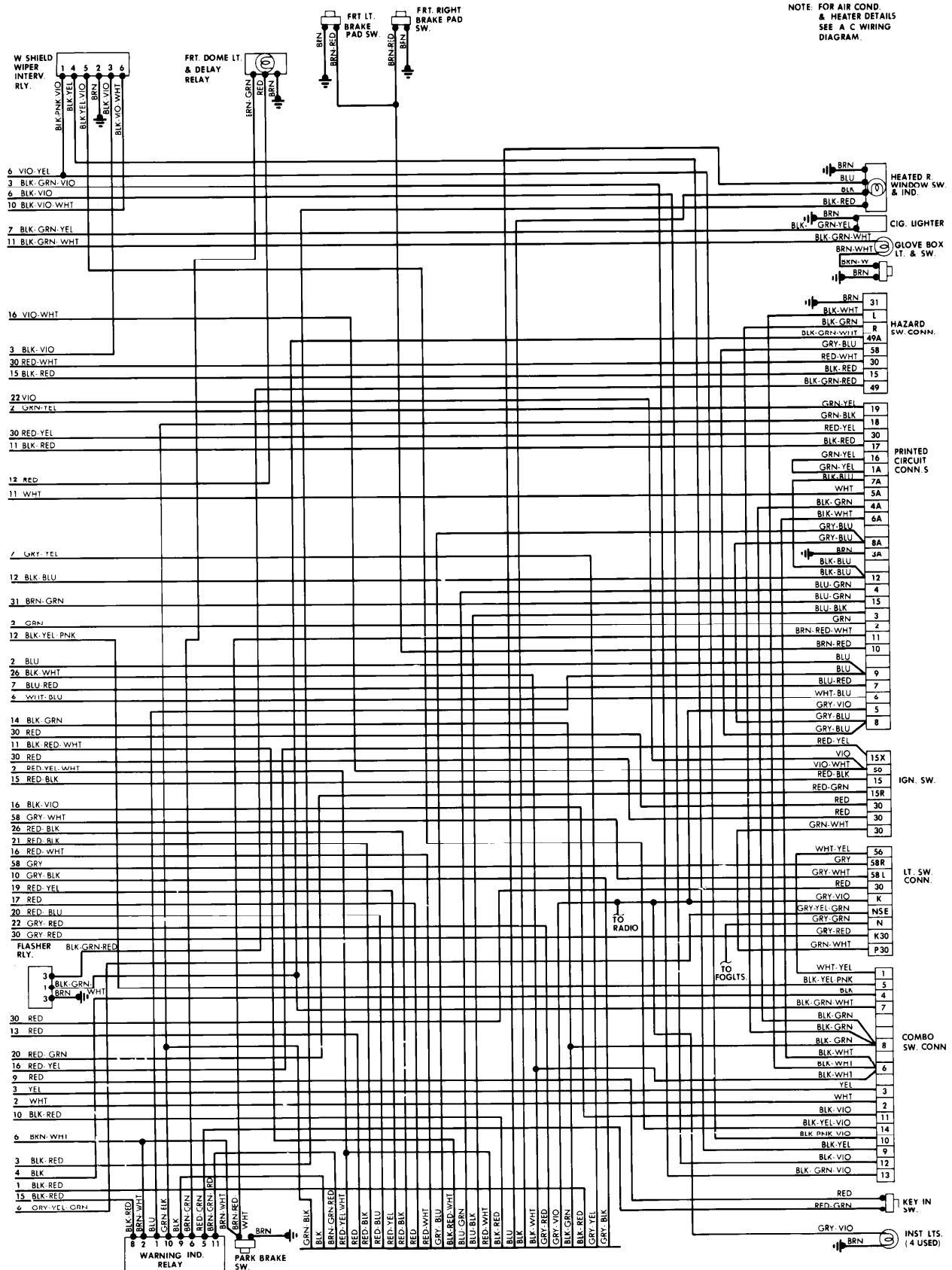


ENGINE COMPARTMENT



UNDERDASH & INSTRUMENT PANEL



ACCESSORIES & REAR COMPARTMENT

WIRING DIAGRAMS

