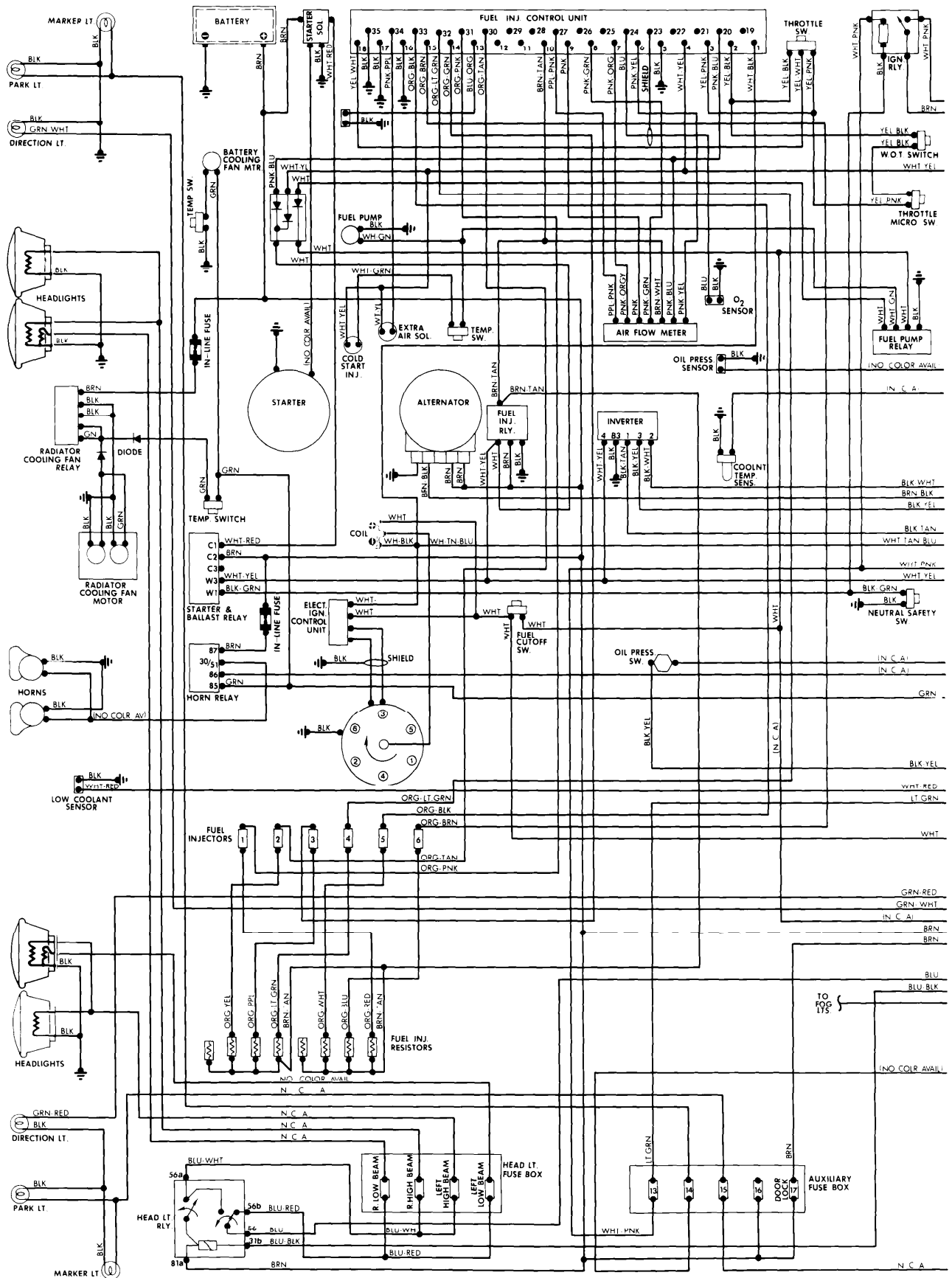


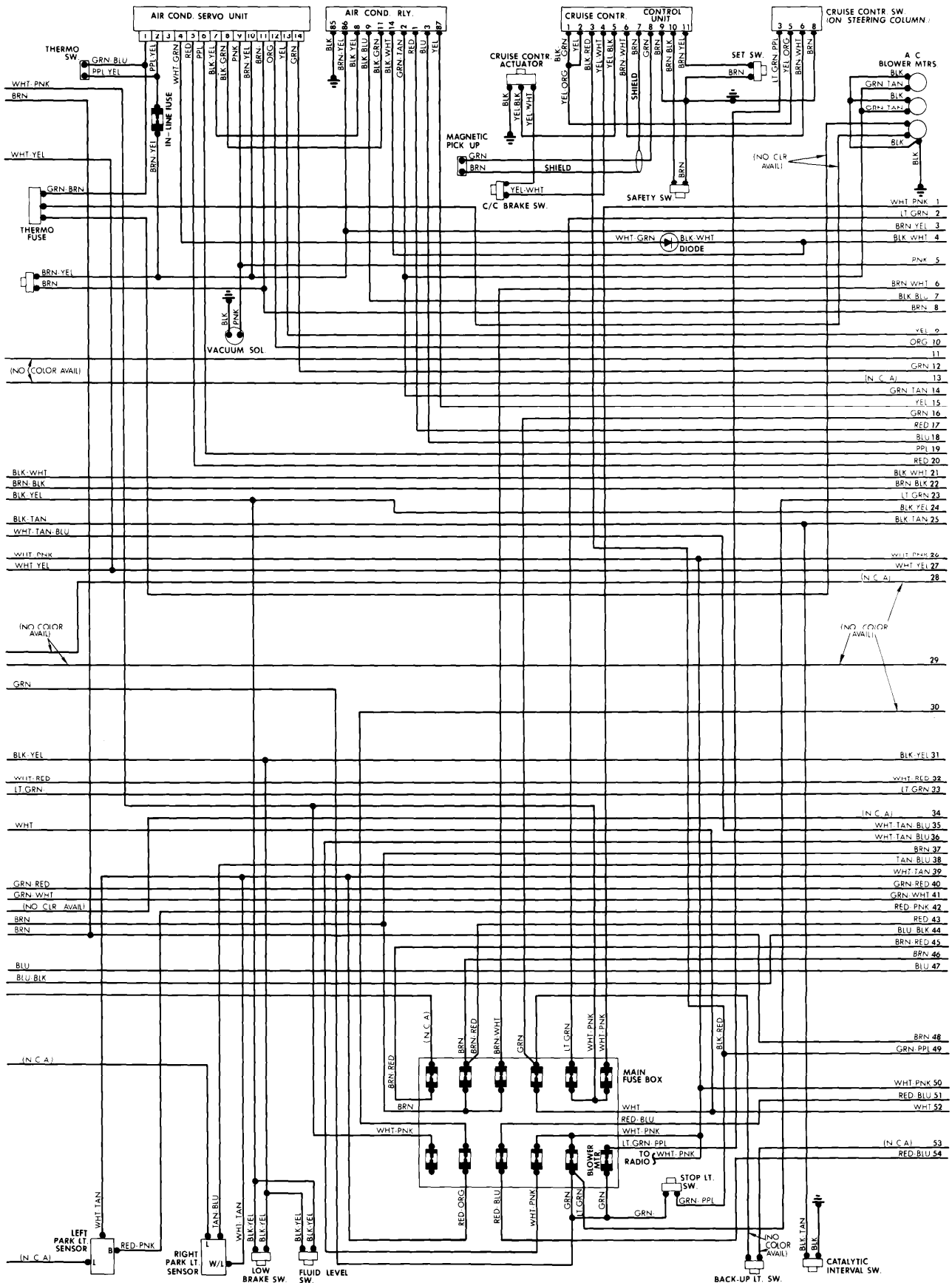
1981 Jaguar

ENGINE COMPARTMENT & FUSE BLOCK



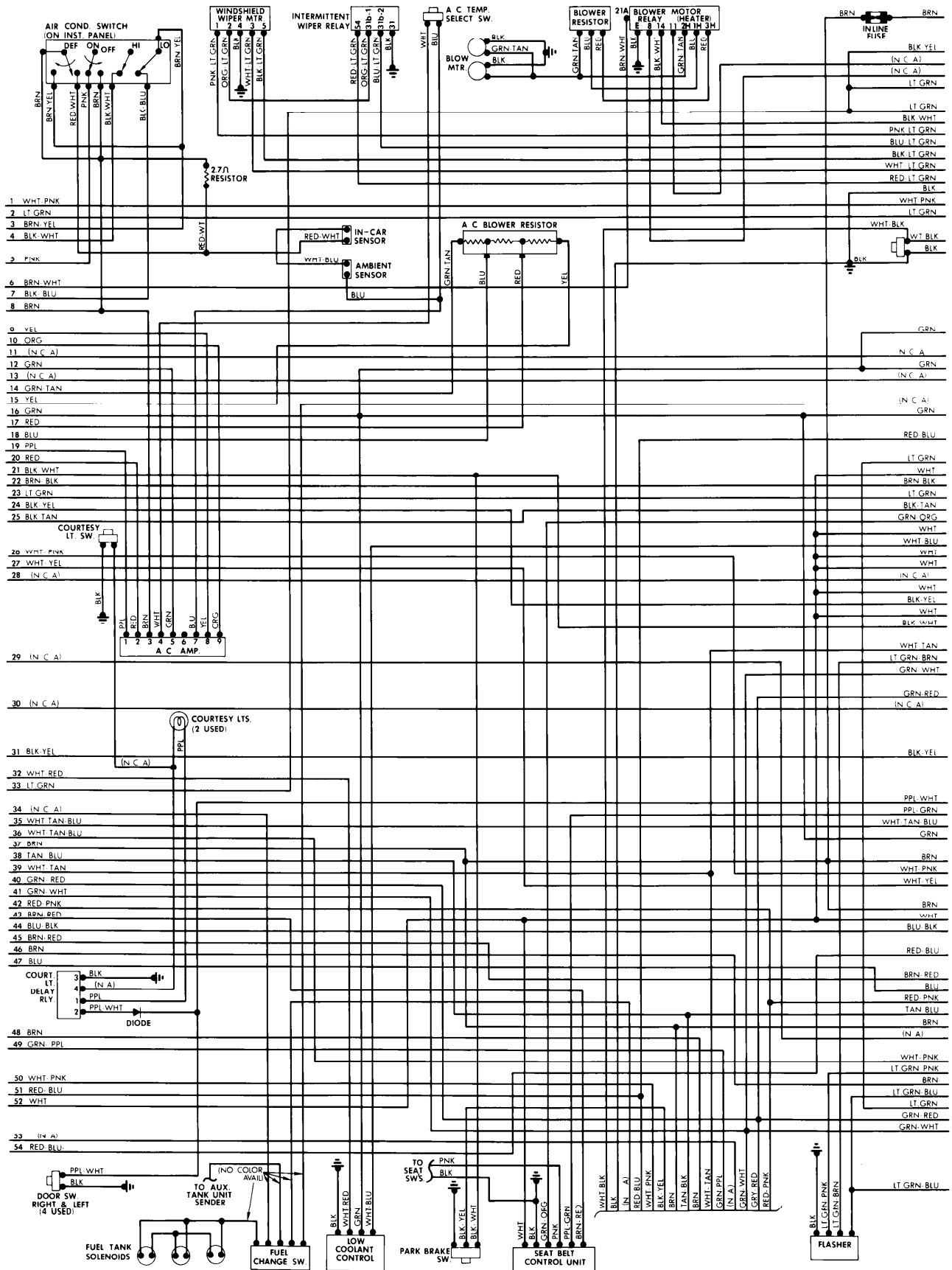
FUSE BLOCK

WIRING DIAGRAMS



1981 Jaguar

UNDERDASH



INSTRUMENT PANEL & REAR COMPARTMENT

WIRING DIAGRAMS

