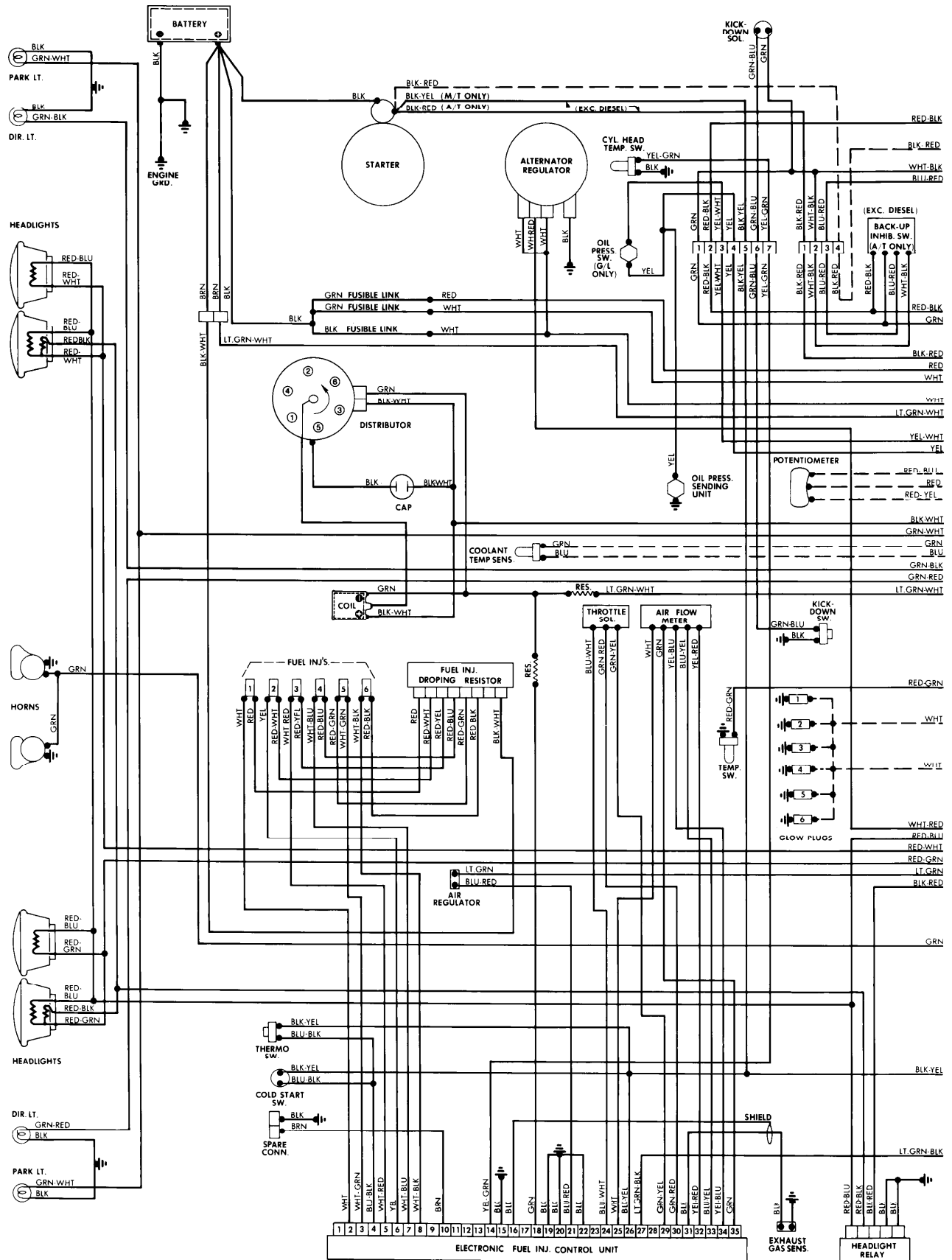
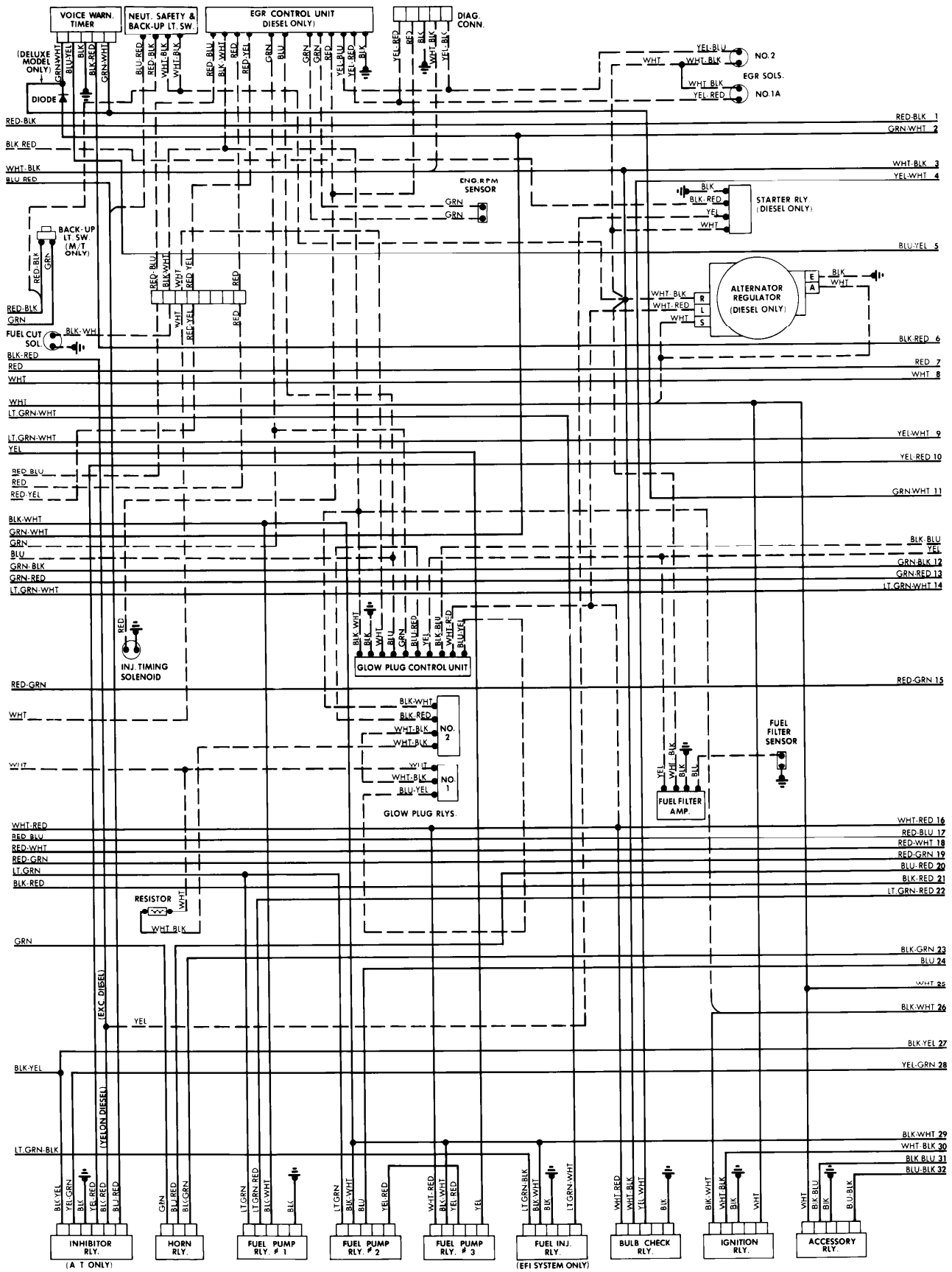


## ENGINE COMPARTMENT

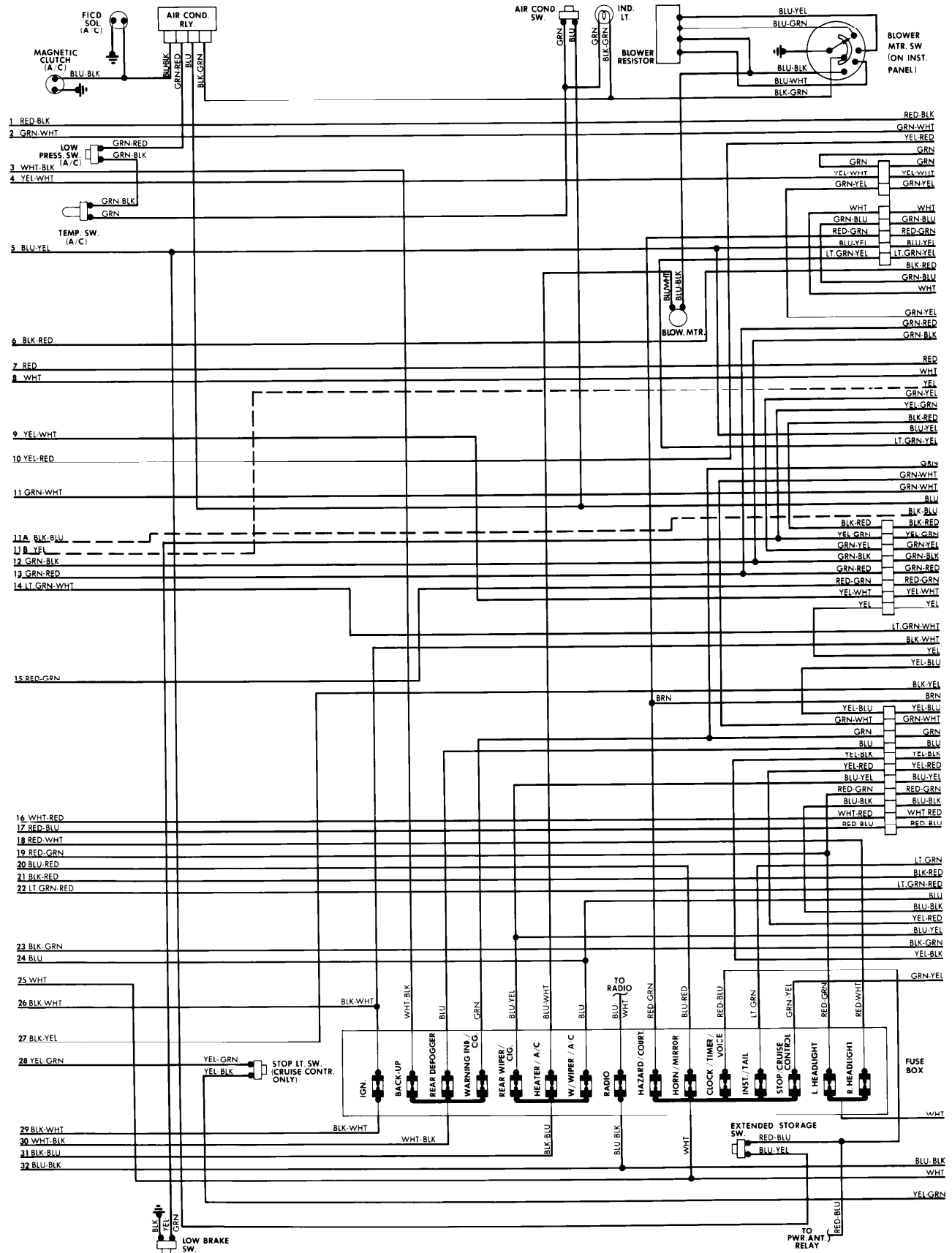


## ENGINE COMPARTMENT

WIRING DIAGRAMS

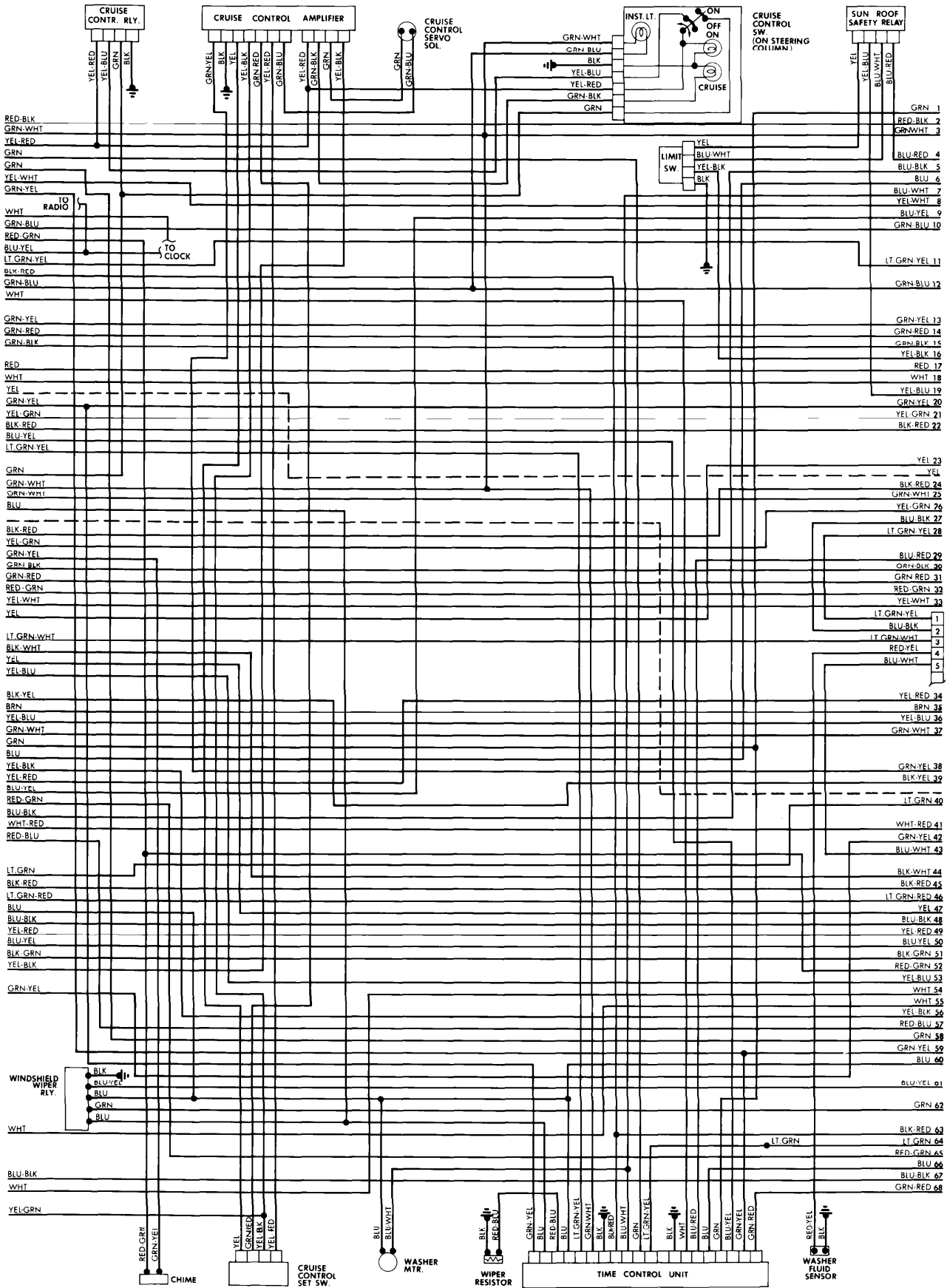


## ENGINE COMPARTMENT & FUSE BLOCK



## UNDERDASH

# WIRING DIAGRAMS



## UNDERDASH

