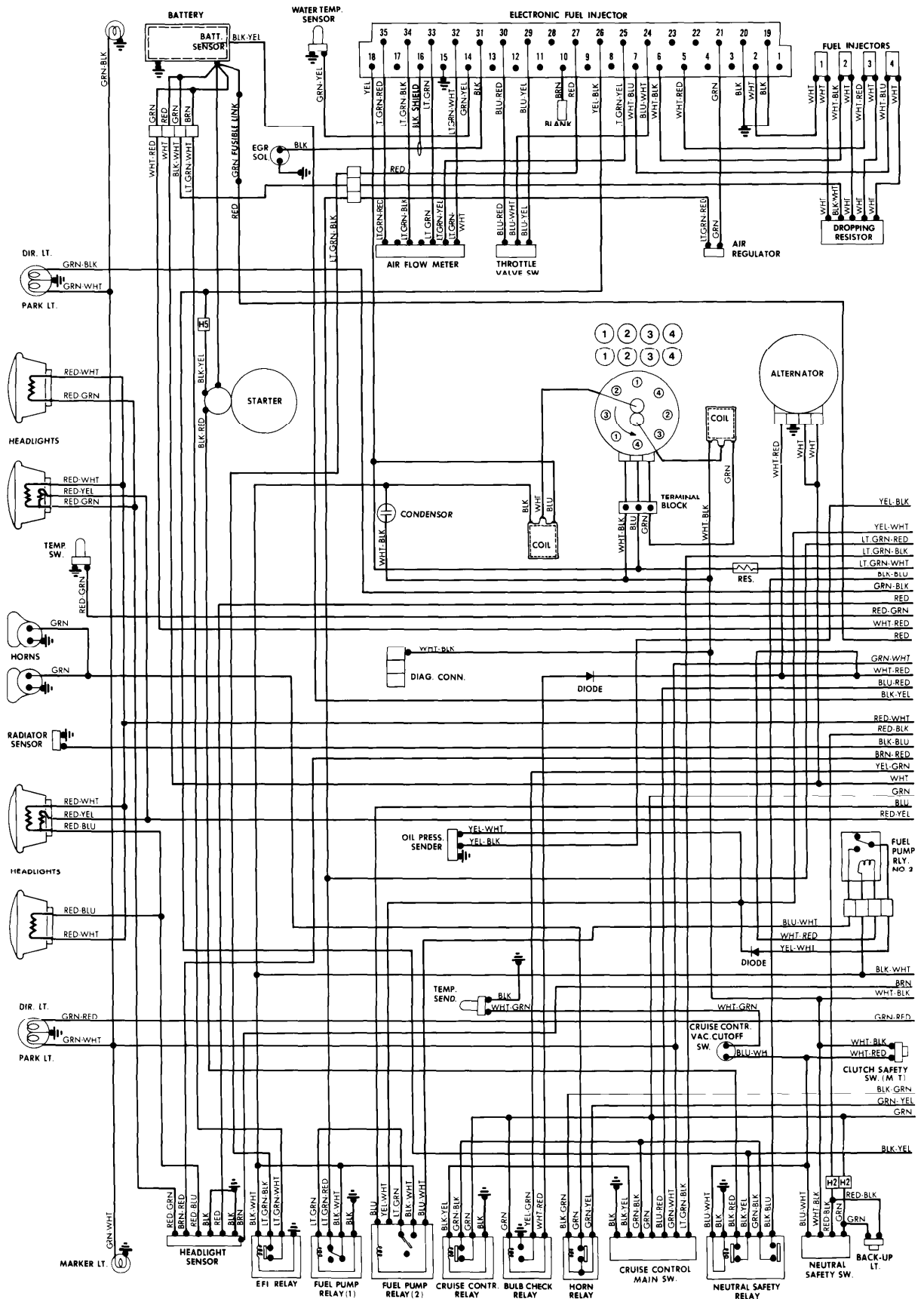
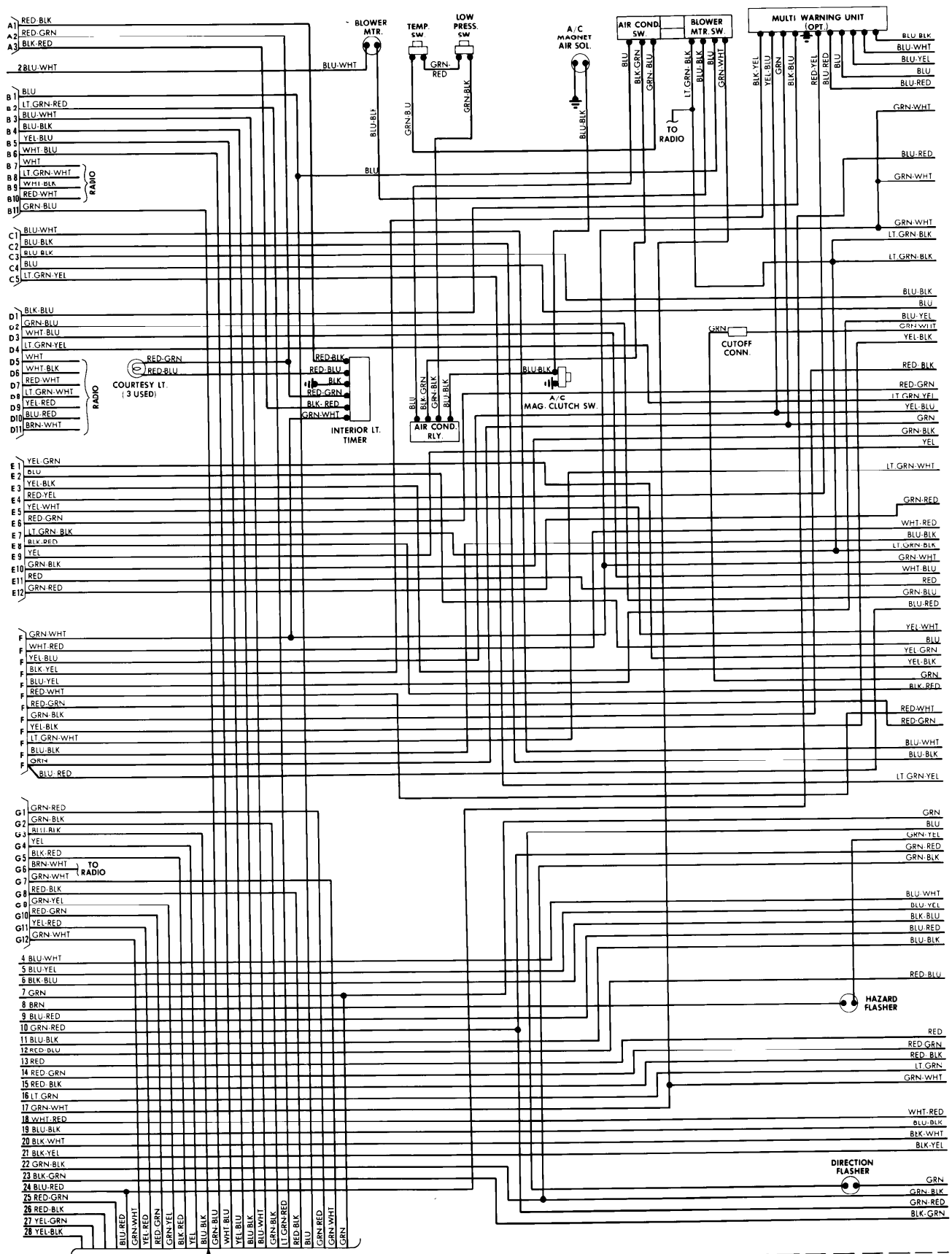


ENGINE COMPARTMENT



UNDERDASH



INSTRUMENT PANEL & REAR COMPARTMENT

WIRING DIAGRAMS

