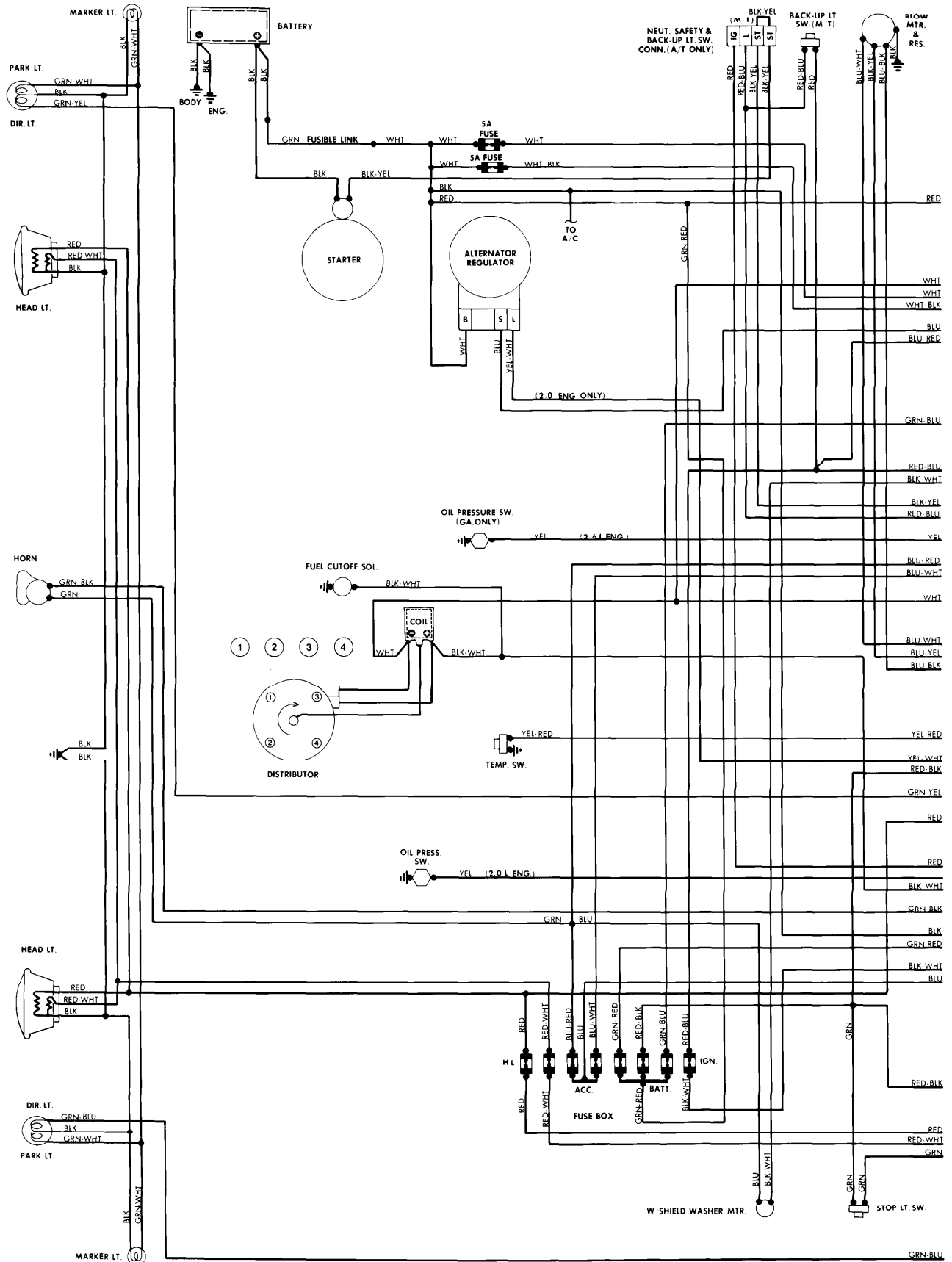


## ENGINE COMPARTMENT & FUSE BLOCK



INSTRUMENT PANEL & REAR COMPARTMENT

WIRING DIAGRAMS

