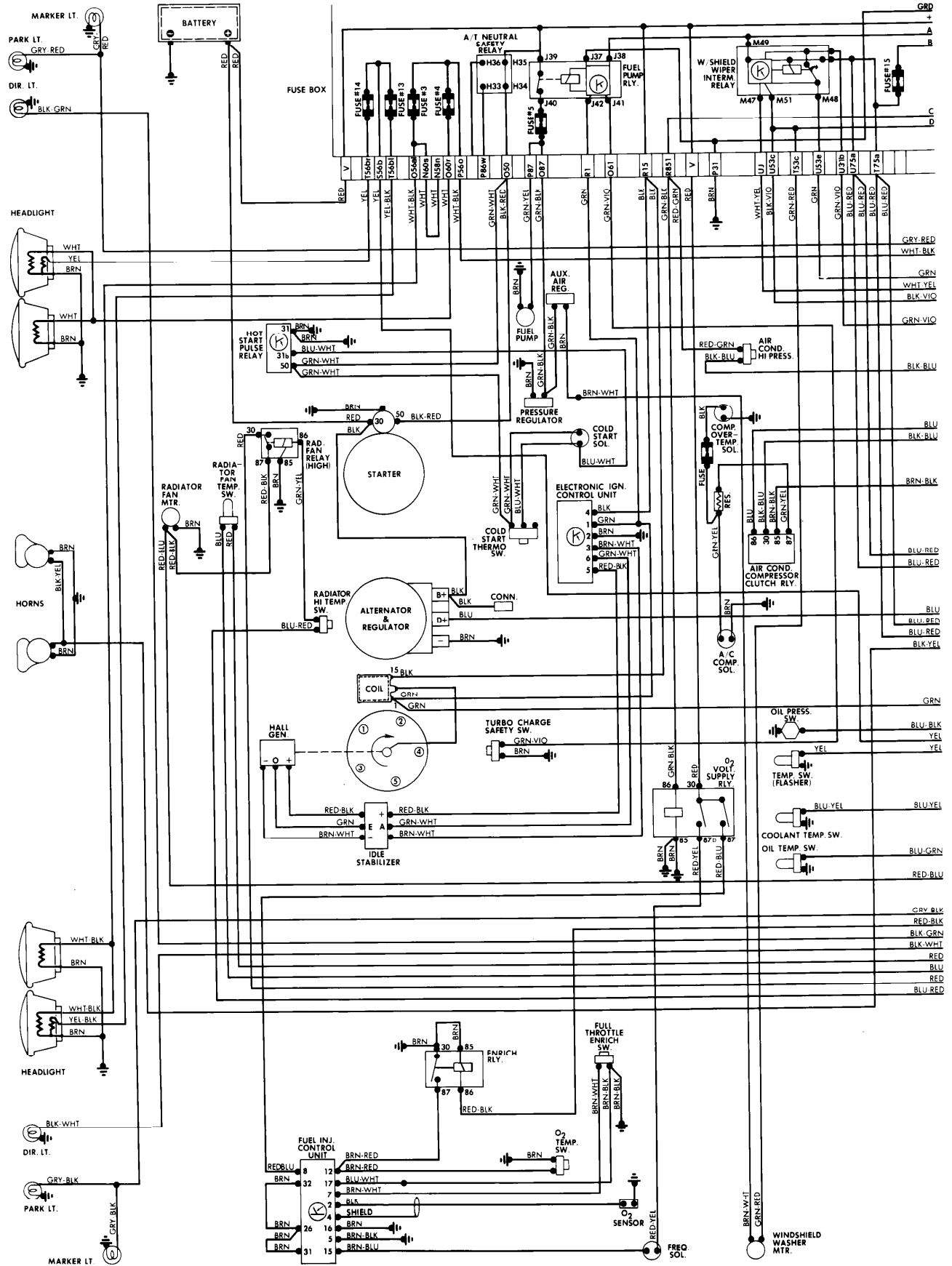


ENGINE COMPARTMENT



UNDERDASH

