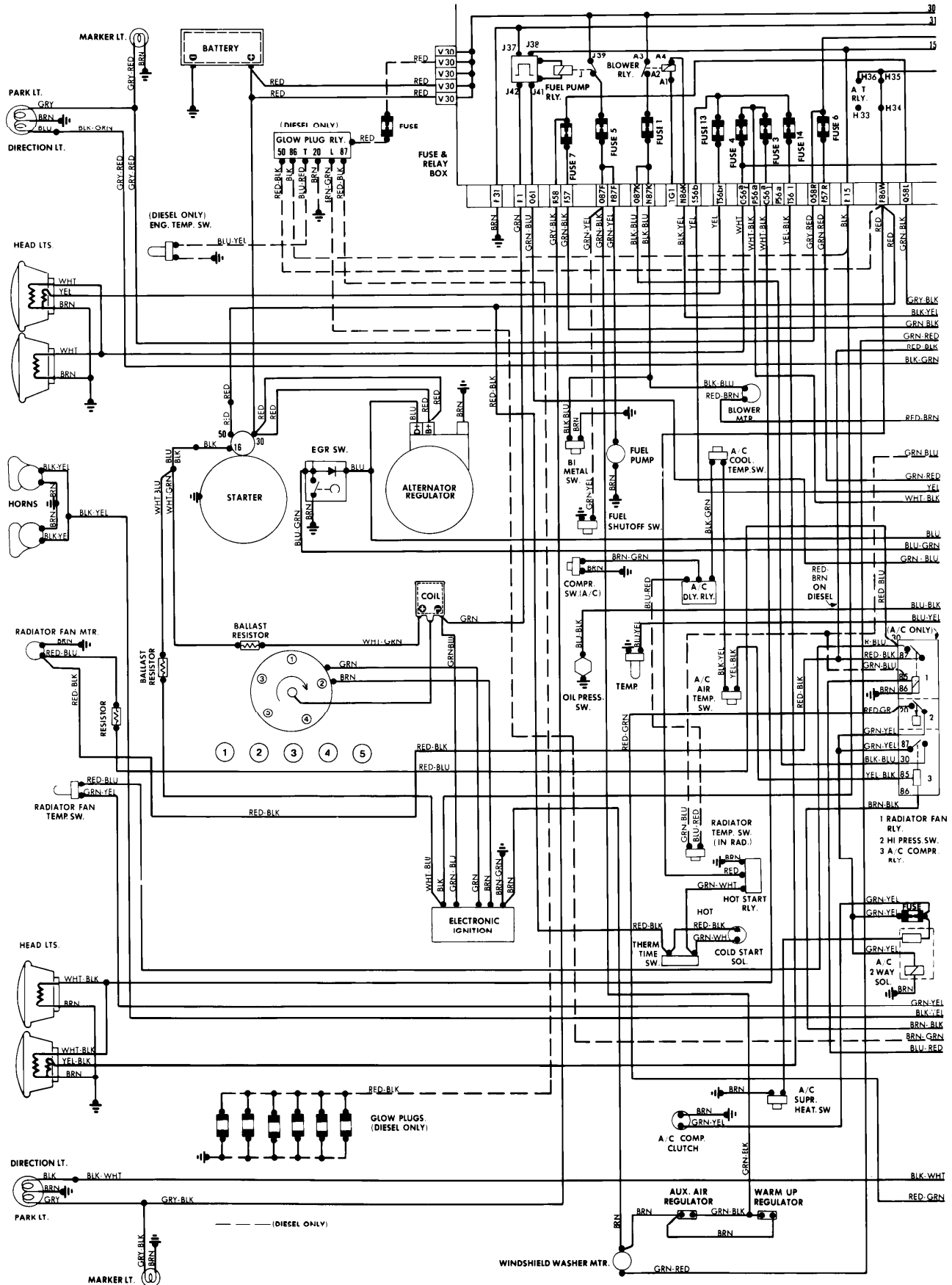


ENGINE COMPARTMENT & FUSE BLOCK



UNDERDASH & FUSE BLOCK

WIRING DIAGRAMS

