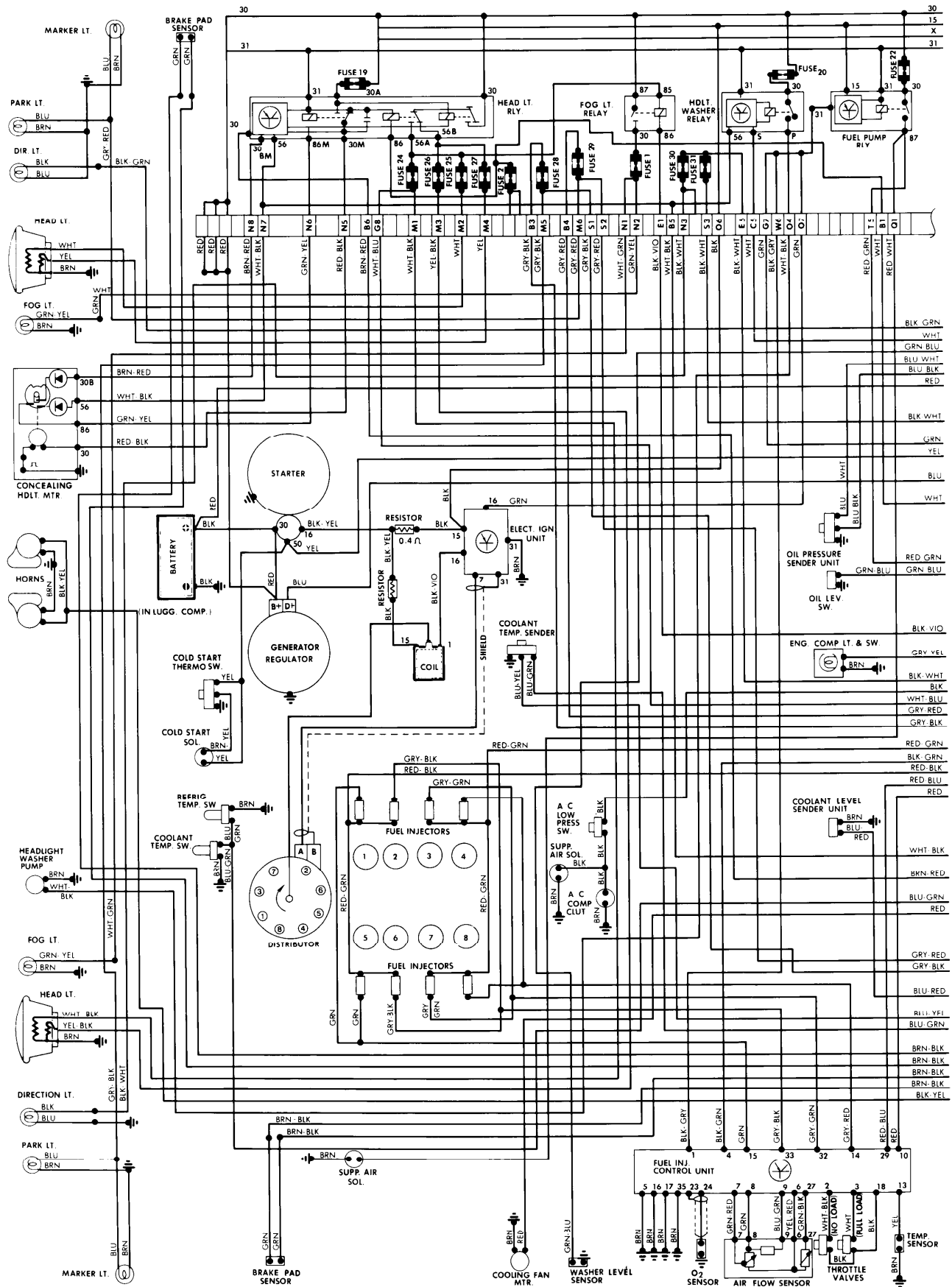
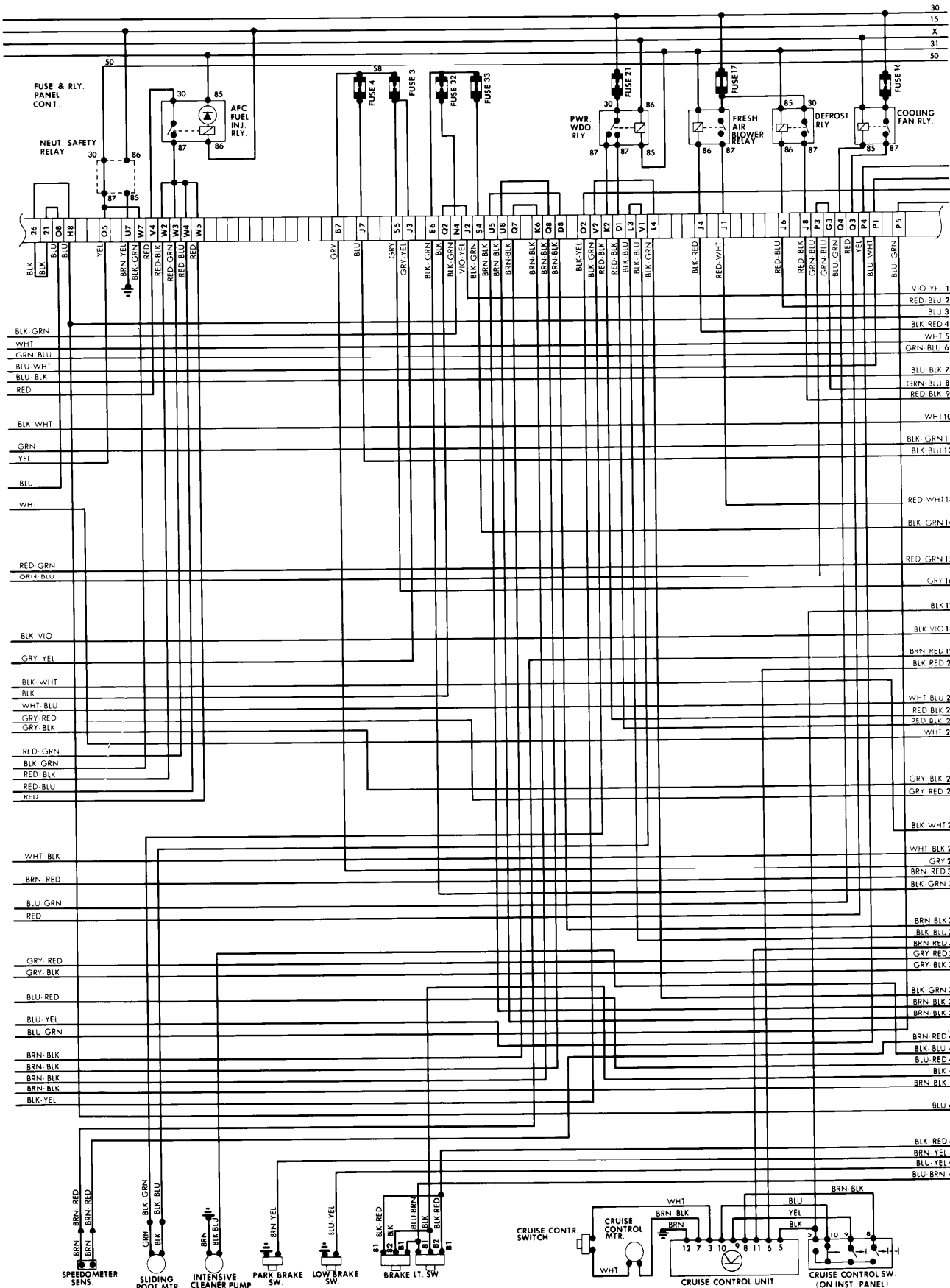


## ENGINE COMPARTMENT & FUSE BLOCK

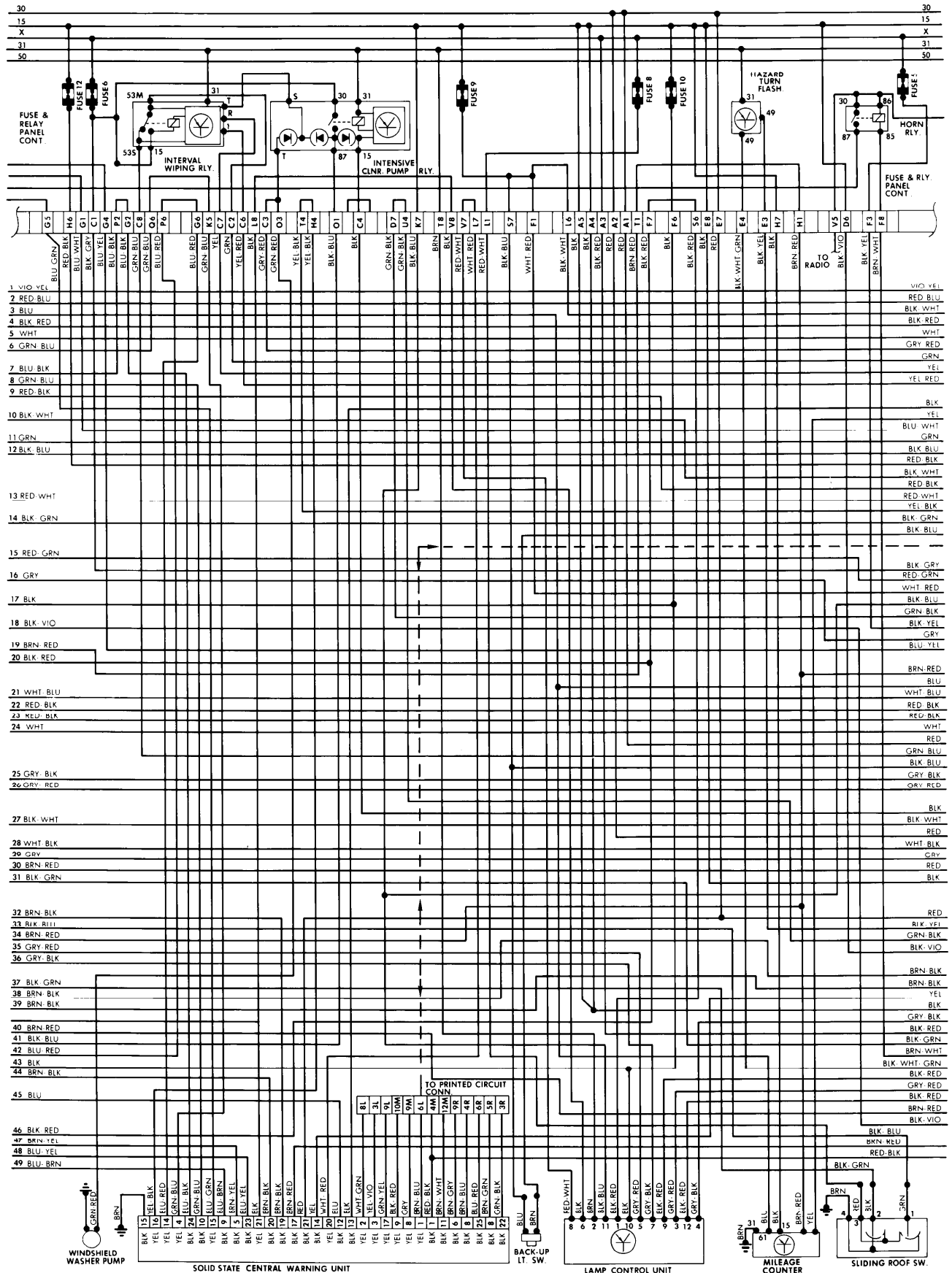


## FUSE BLOCK

## WIRING DIAGRAMS

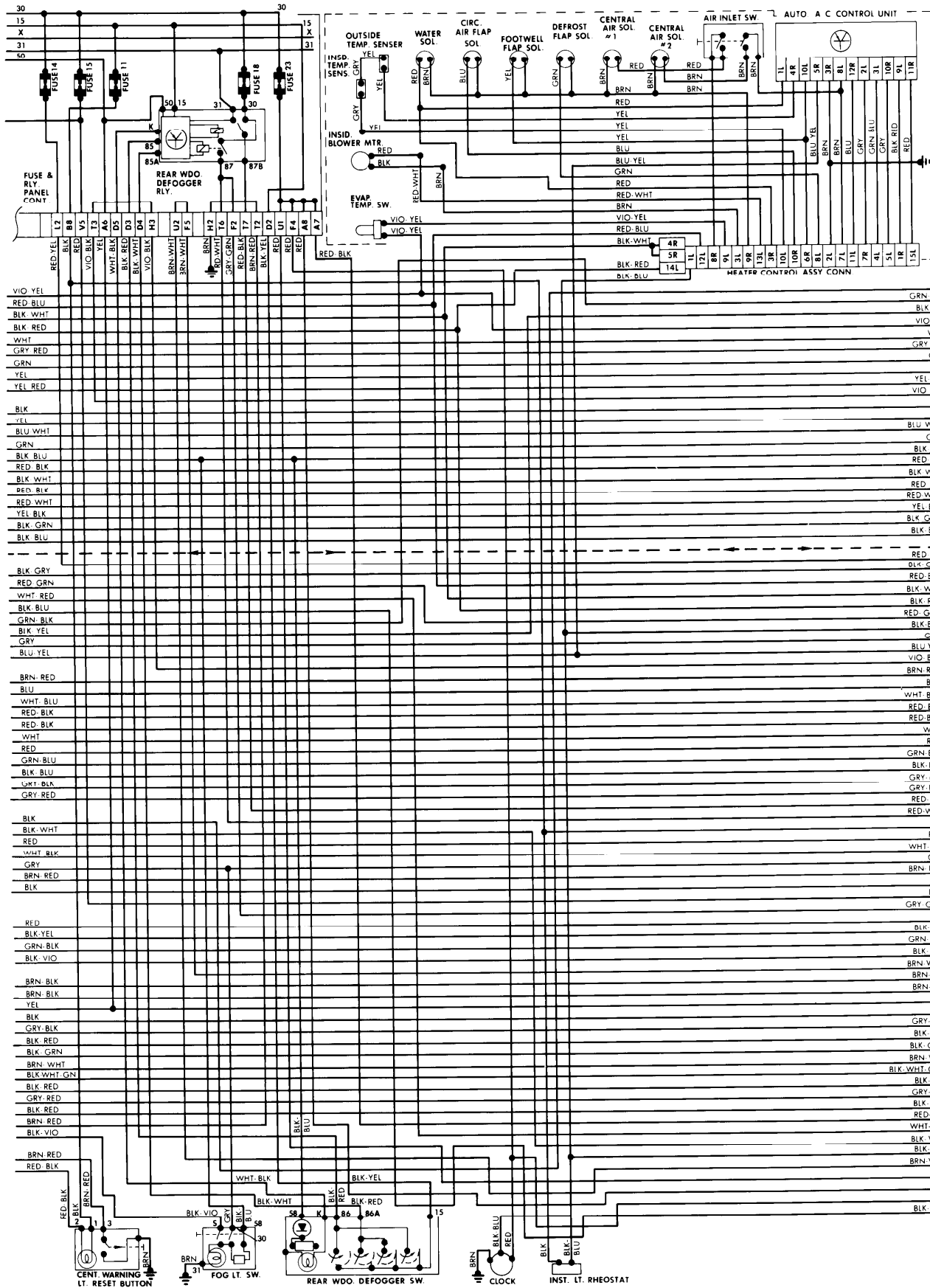


## FUSE BLOCK



## FUSE BLOCK

WIRING DIAGRAMS



## INSTRUMENT PANEL

