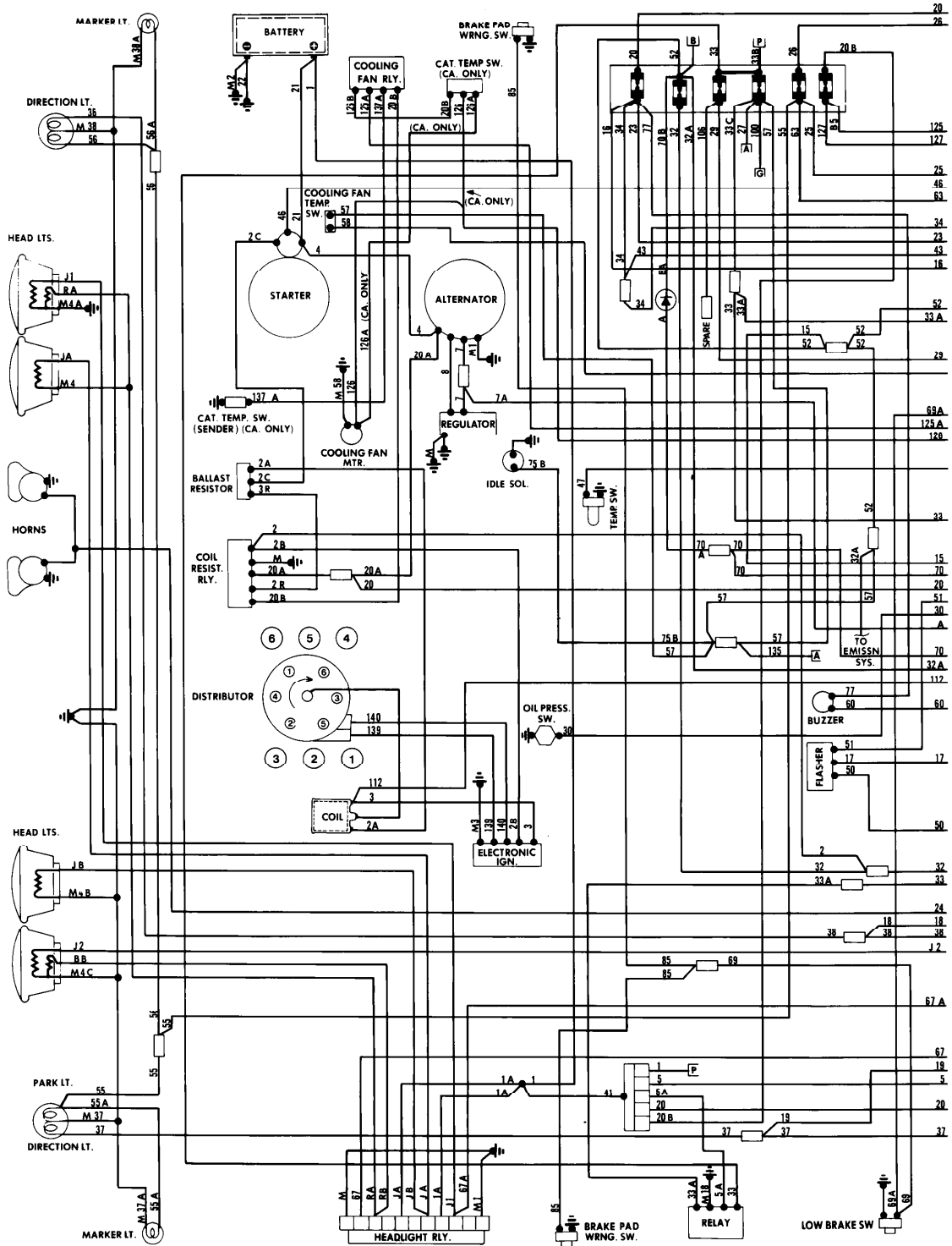


## ENGINE COMPARTMENT



## FUSE BLOCK, INSTRUMENT PANEL & REAR COMPARTMENT

WIRING DIAGRAMS

