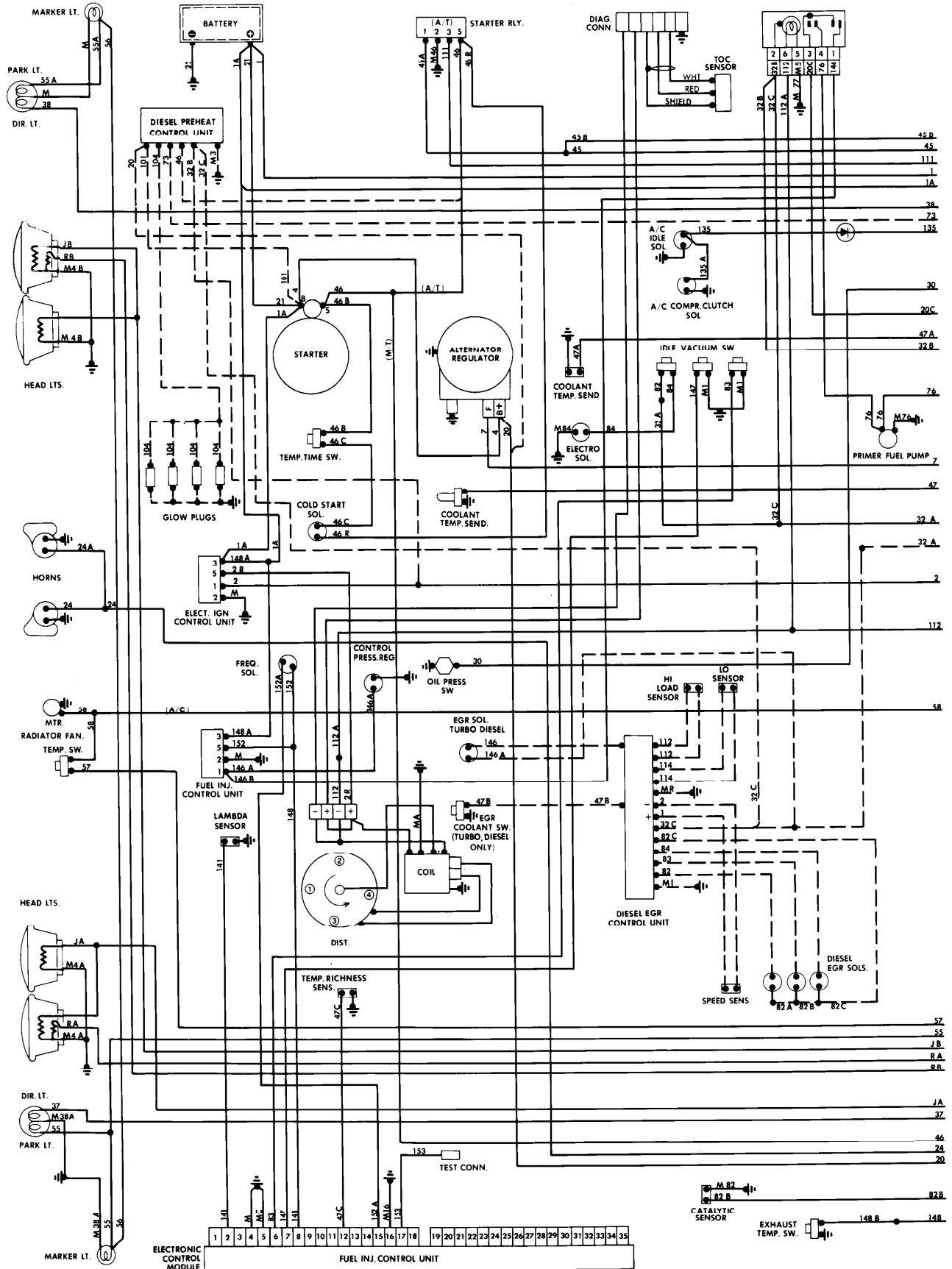
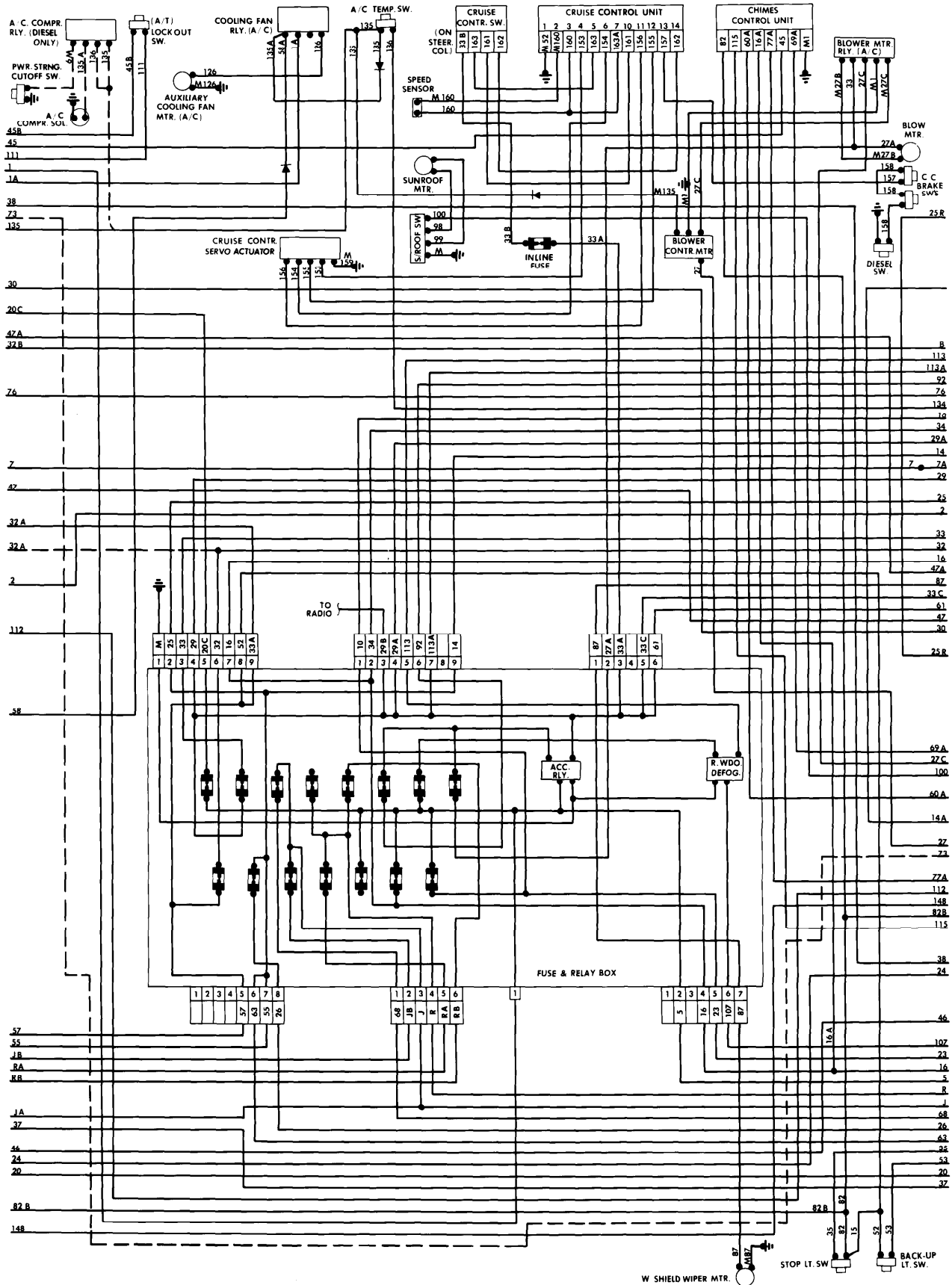


ENGINE COMPARTMENT

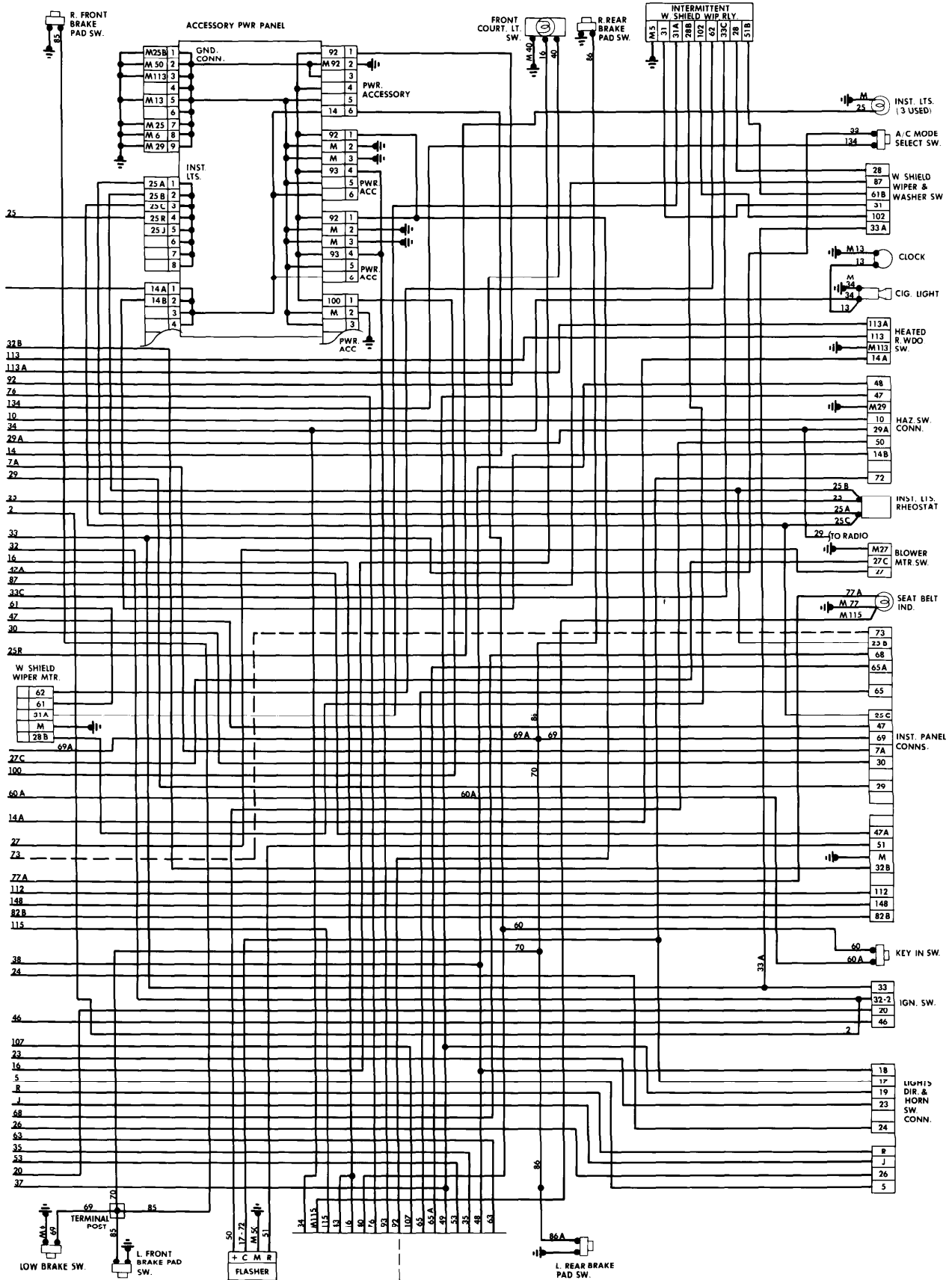


FUSE BLOCK

WIRING DIAGRAMS



INSTRUMENT PANEL



REAR COMPARTMENT

WIRING DIAGRAMS

