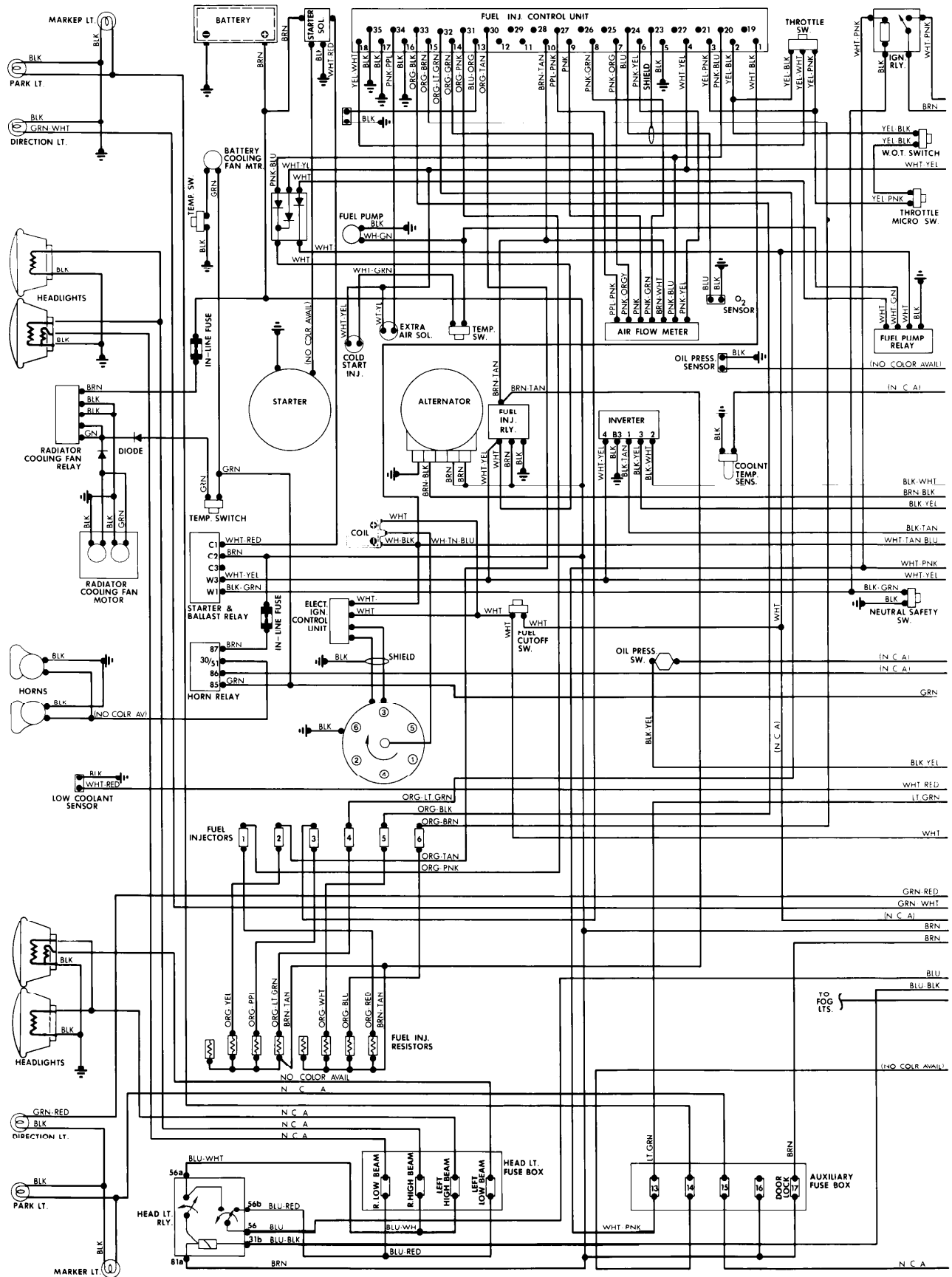


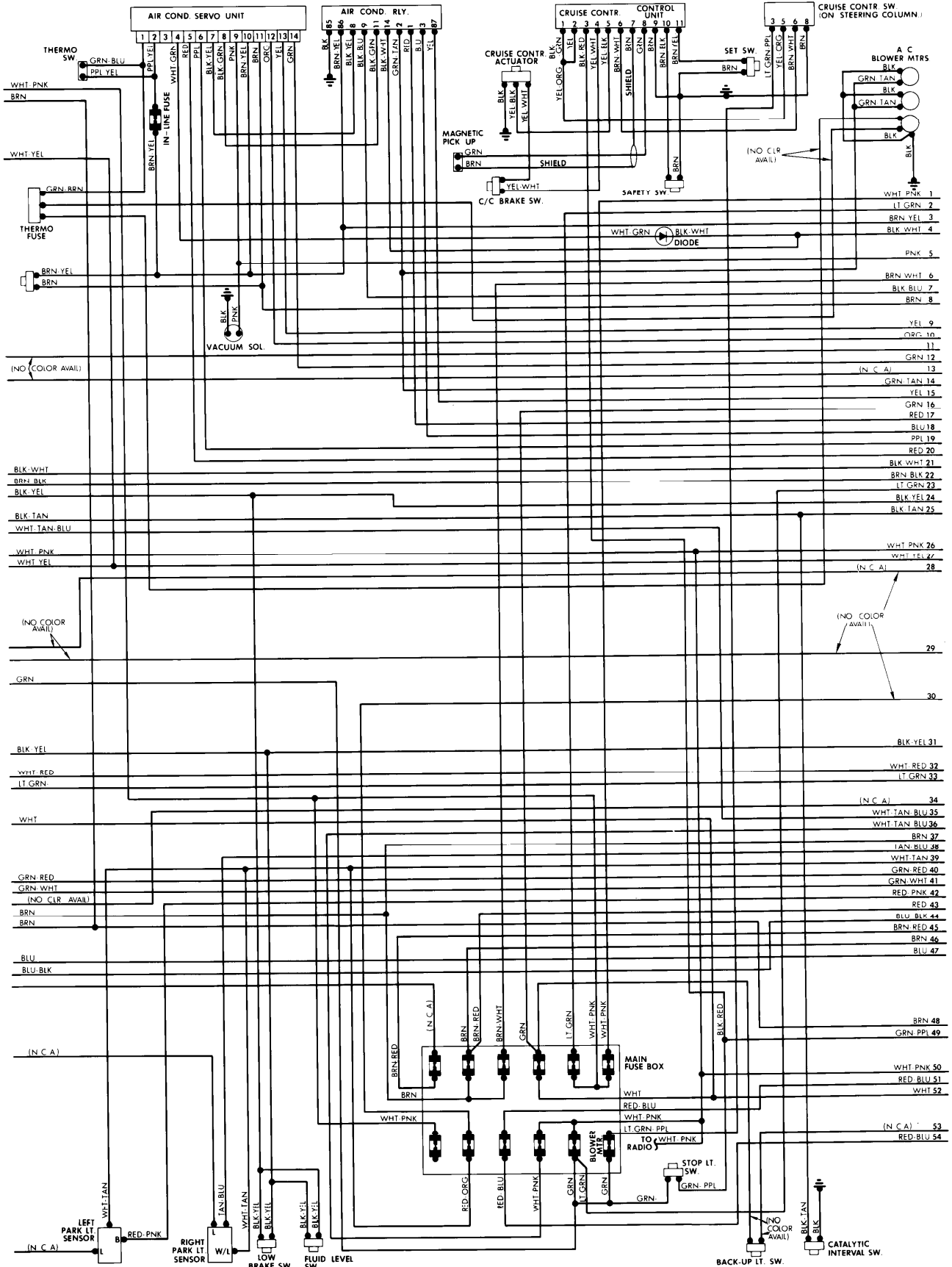
# 1980 Jaguar

## ENGINE COMPARTMENT & FUSE BLOCK



## FUSE BLOCK

# WIRING DIAGRAMS



## UNDERDASH

