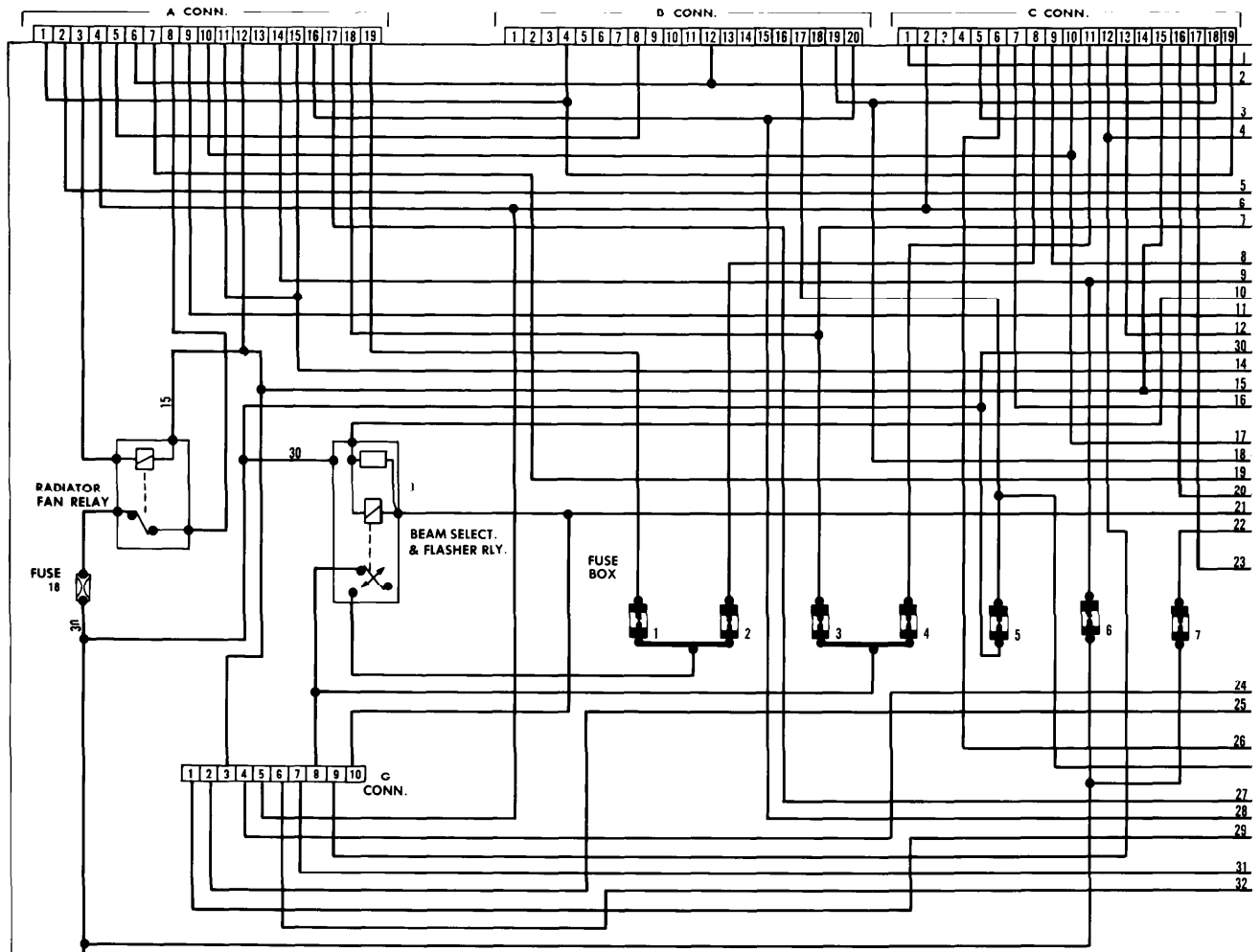


FUSE AND RELAY CONTROL BOX

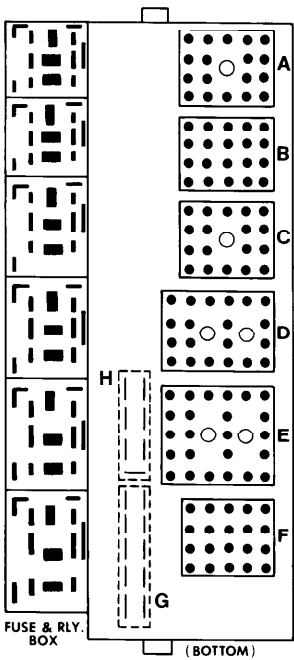
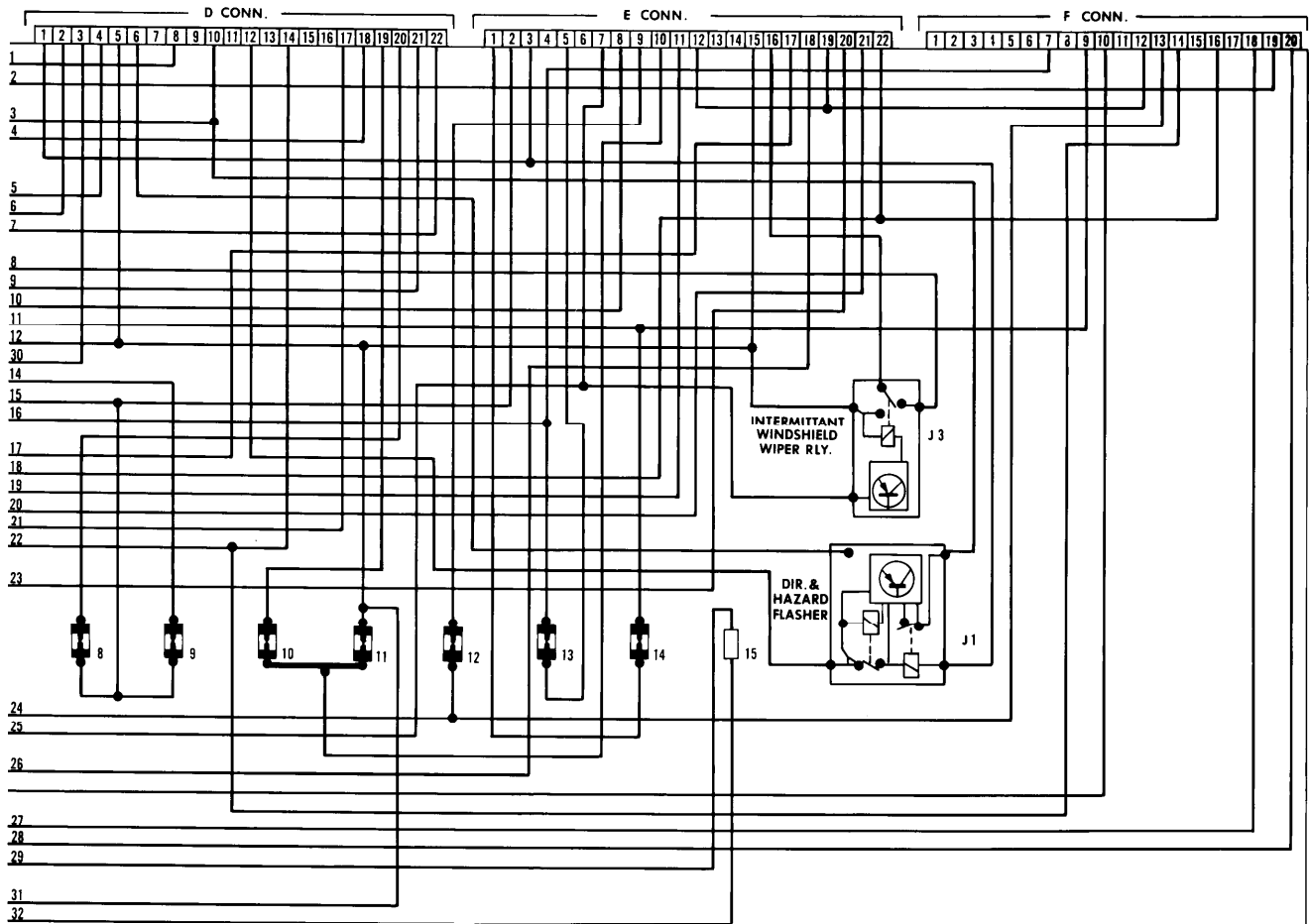


REAR WINDOW DEFOGGER RELAY		1
SEAT BELT RELAY	DIRECT. FLASHER	2
HEAD LT. CLEANER RELAY	INTERM. WNDSHLD. WIPER RELAY	3
FOG LT. RELAY	BLOWER MOTOR RELAY	4
FUEL PUMP RELAY		5
HORN RELAY	HEAD LT. FLASHER & BEAM SELECT. RELAY	6
FUSE & RLY. BOX		7
		8
		9
		10
		11
		12
		13
		15
		16

(TOP)

Fuse and Relay Control Box  
Porsche 924

## FUSE AND RELAY CONTROL BOX



**Fuse and Relay Control Box  
Porsche 924**