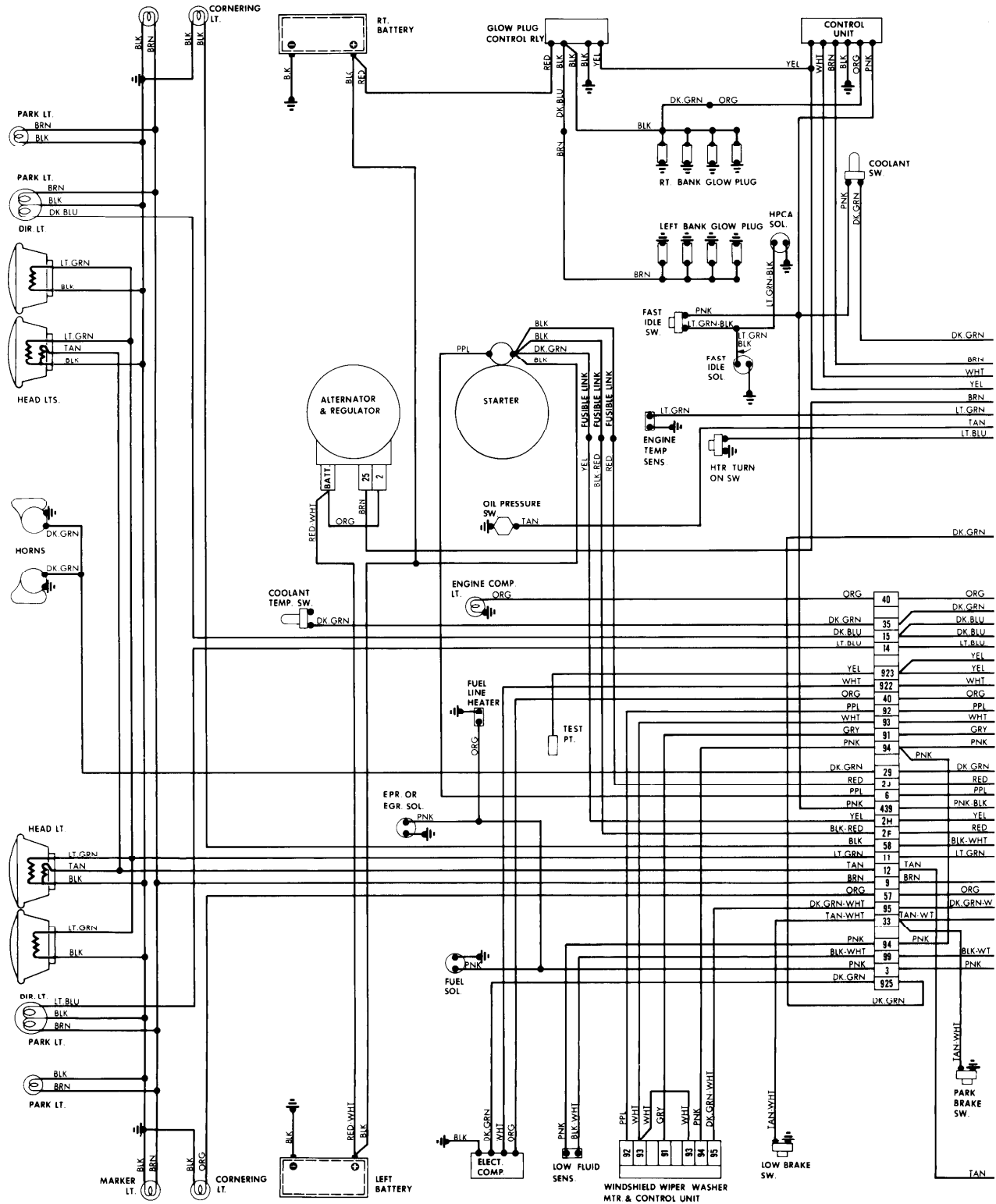


1982 General Motors

ENGINE COMPARTMENT - DIESEL



1982 General Motors

Cadillac 4-139

FUSE BLOCK & UNDERDASH - DIESEL

WIRING DIAGRAMS

