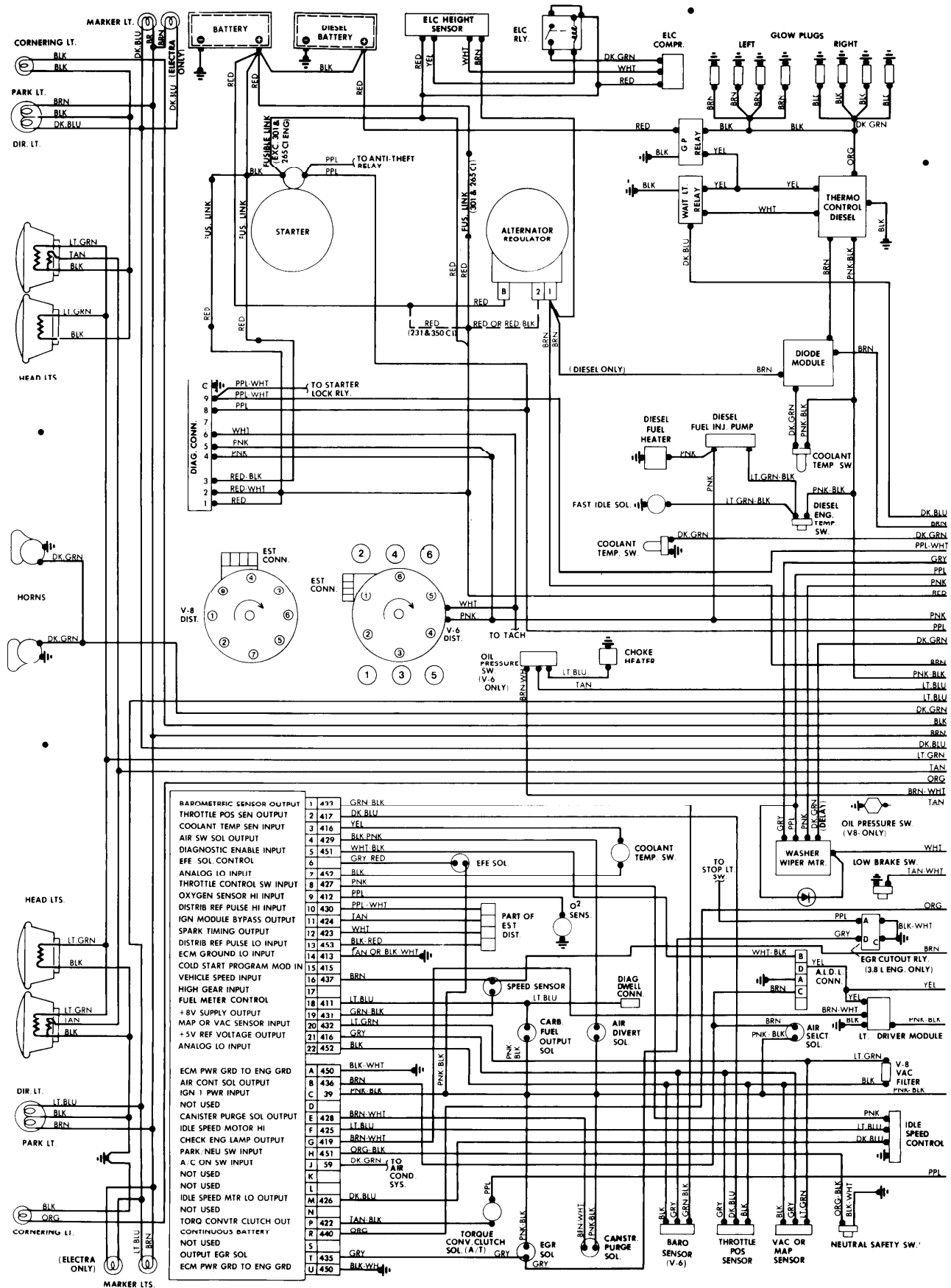
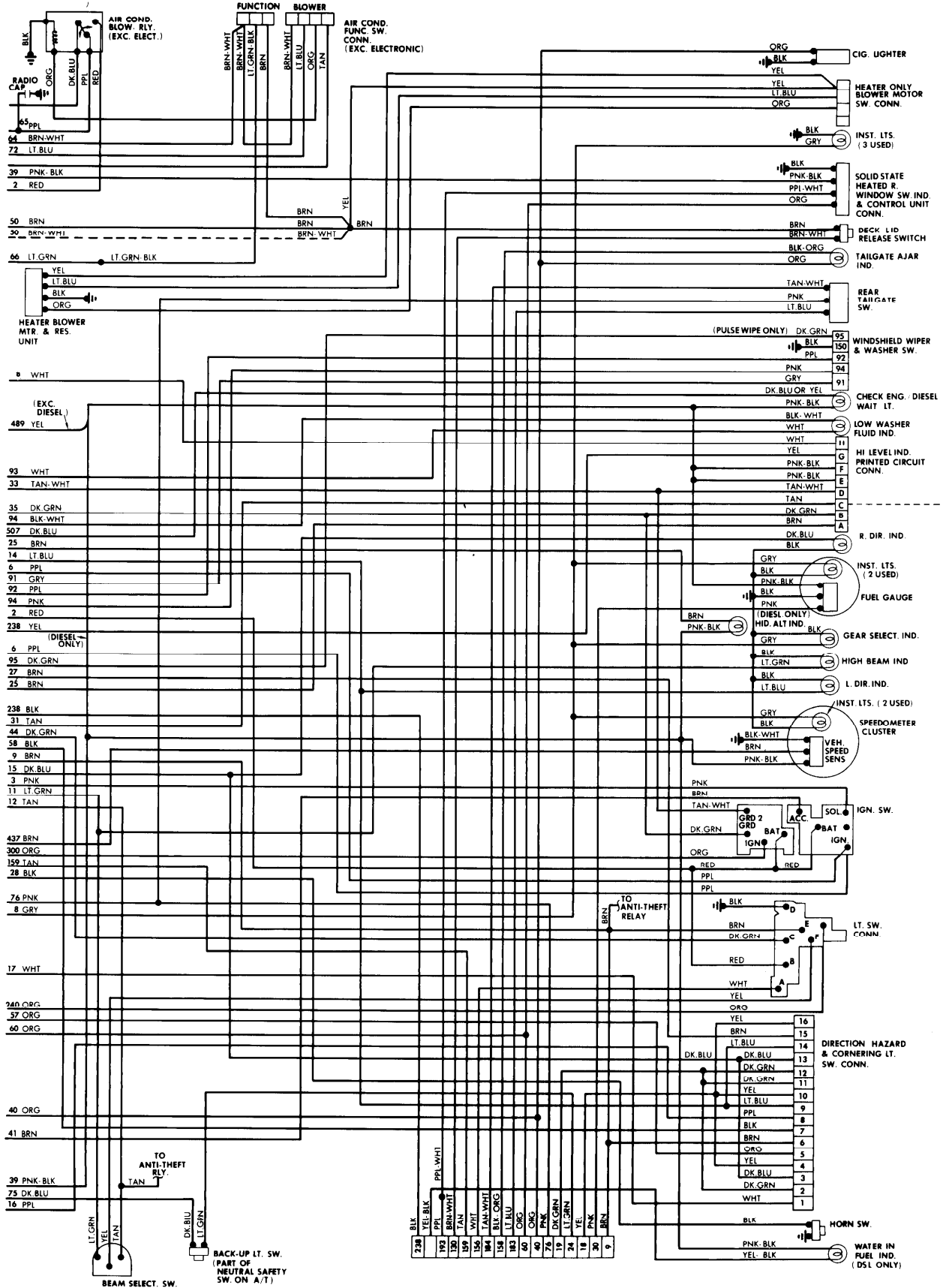


## ENGINE COMPARTMENT





## INSTRUMENT PANEL & UNDERDASH



## REAR COMPARTMENT & ACCESSORIES

WIRING DIAGRAMS

