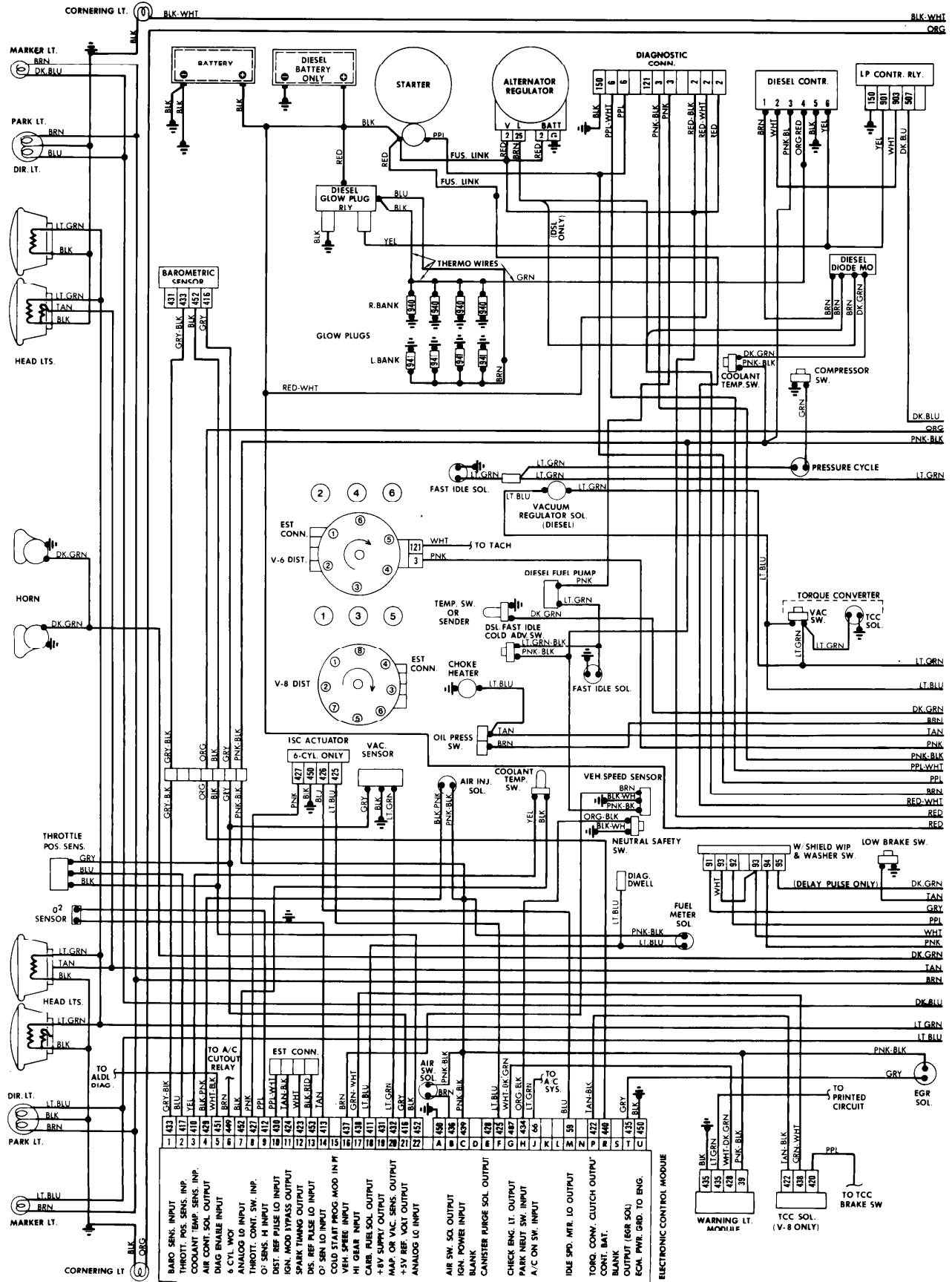
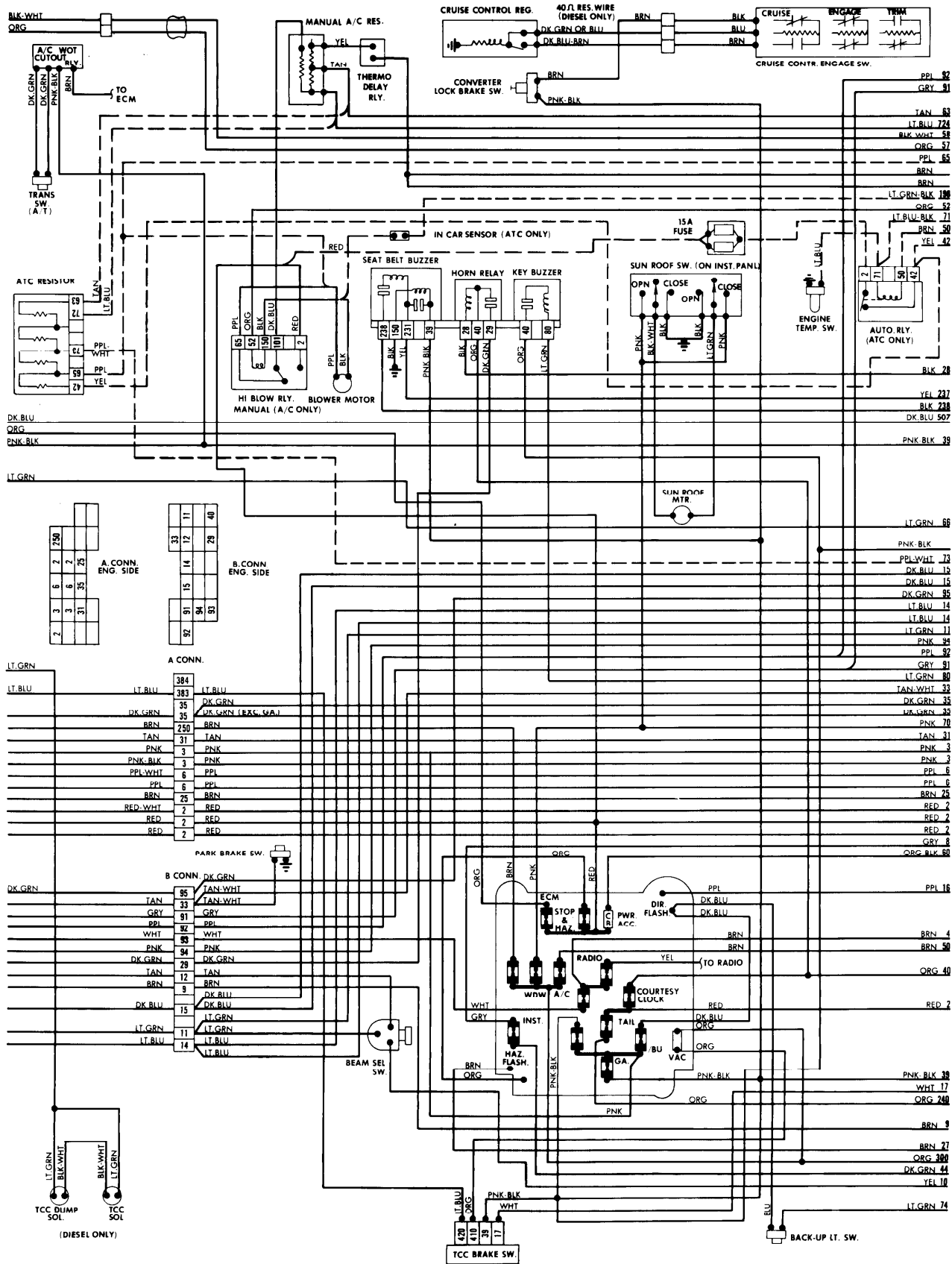


ENGINE COMPARTMENT



FUSE BLOCK & UNDERDASH

WIRING DIAGRAMS



INSTRUMENT PANEL & UNDERDASH

