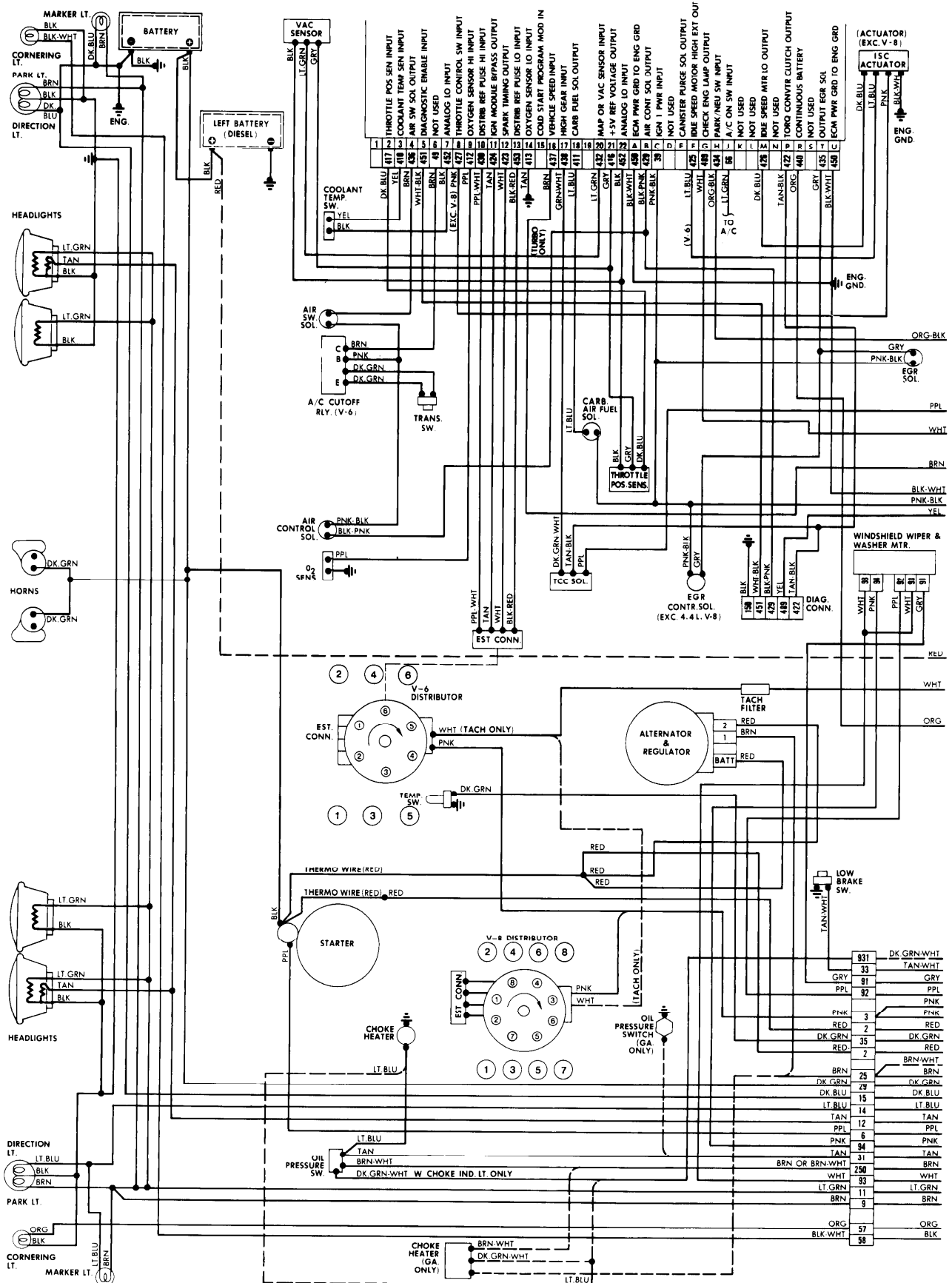
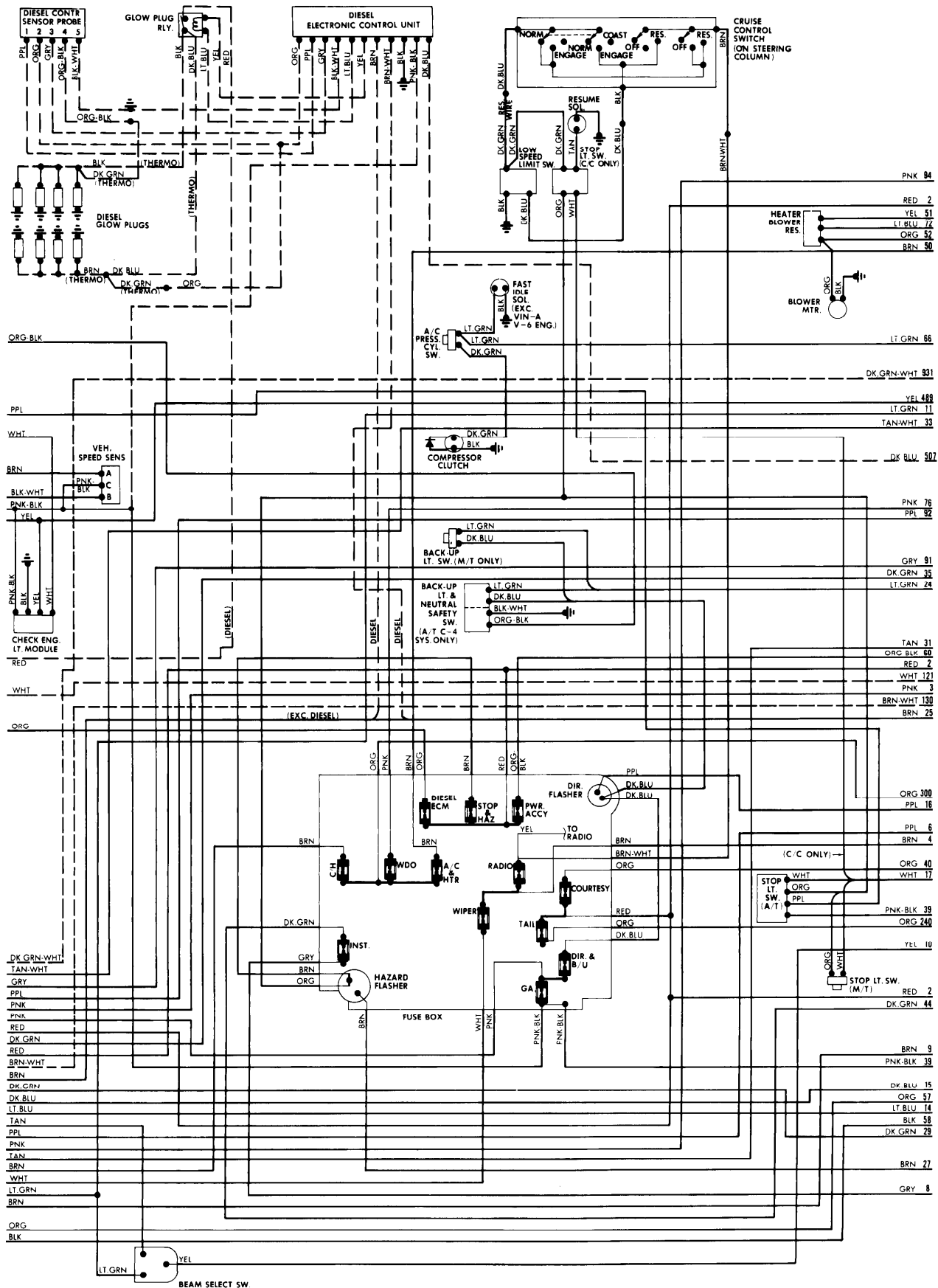


ENGINE COMPARTMENT



FUSE BLOCK & UNDERDASH

WIRING DIAGRAMS



REAR COMPARTMENT & ACCESSORIES

WIRING DIAGRAMS

