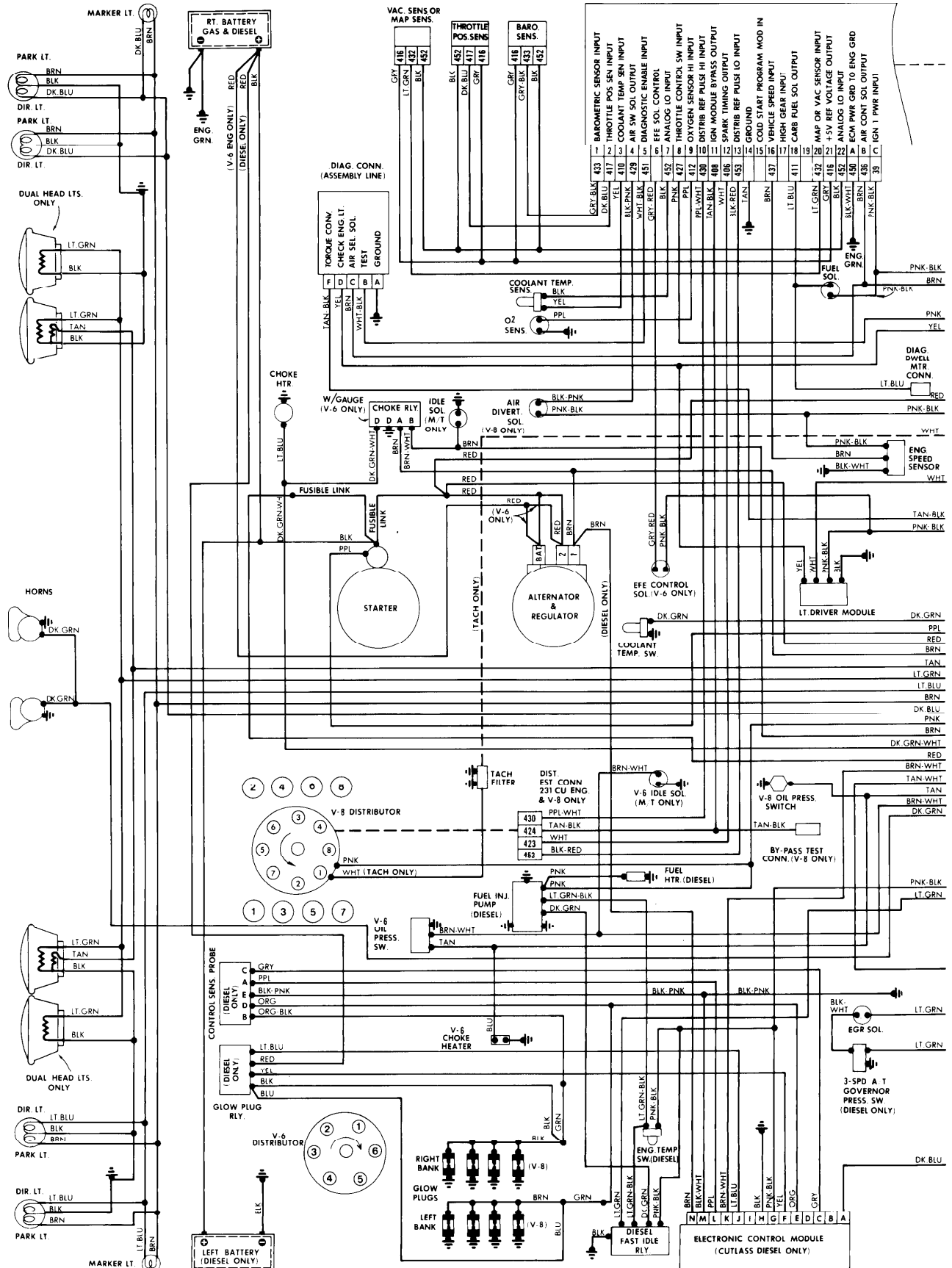
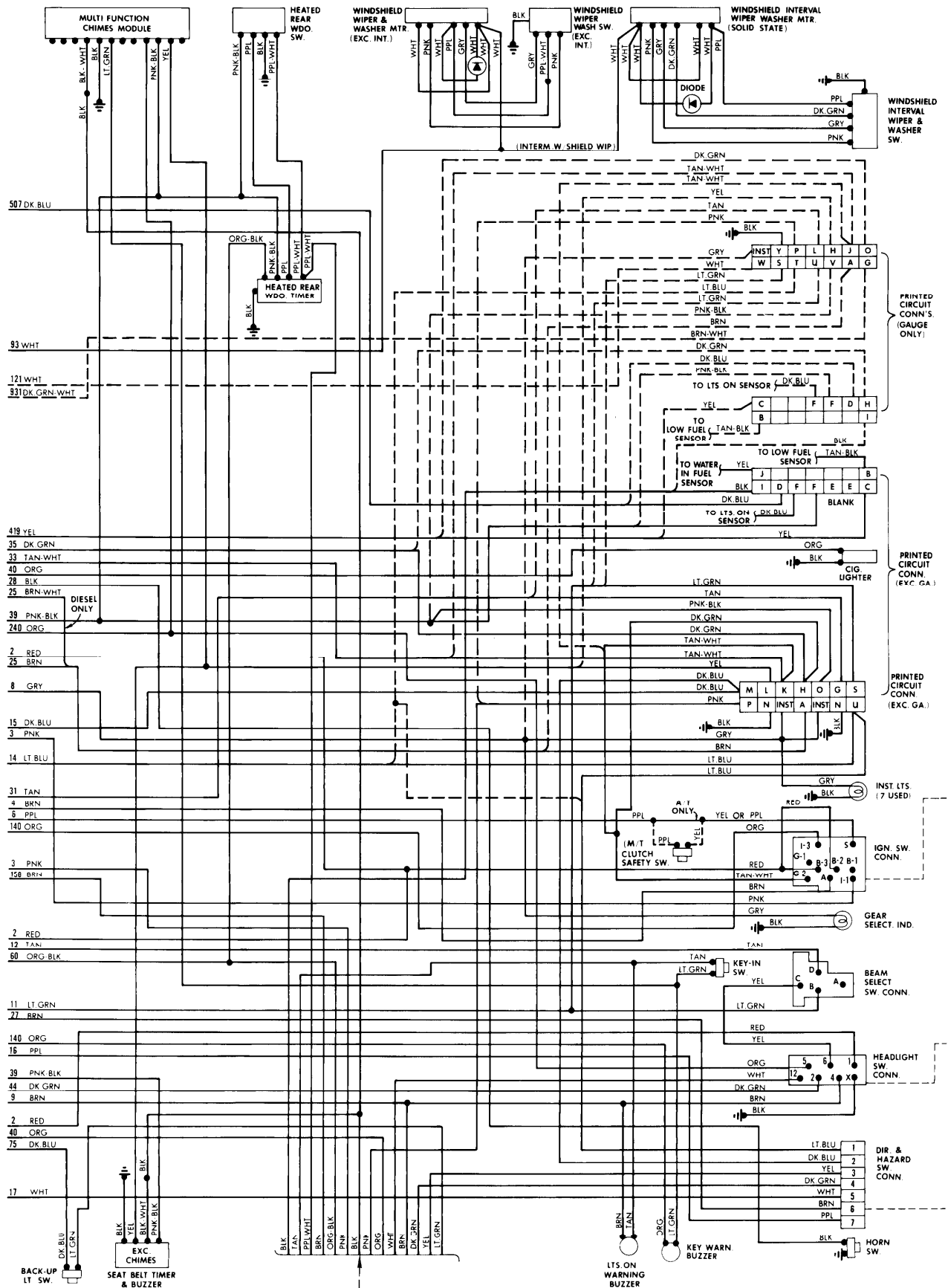


ENGINE COMPARTMENT

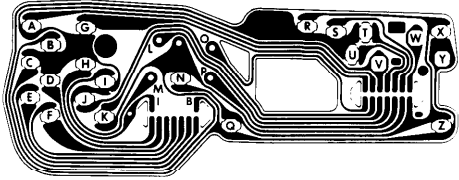


INSTRUMENT PANEL & UNDERDASH

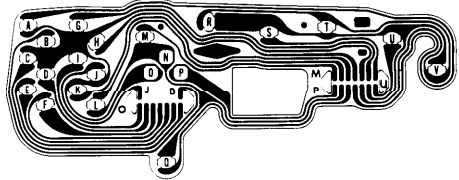


REAR COMPARTMENT & ACCESSORIES

WIRING DIAGRAMS

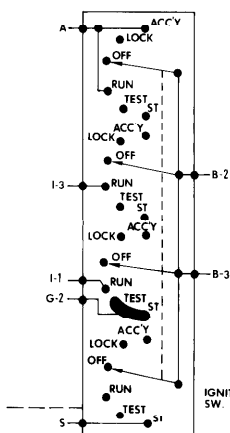


PRINTED CIRCUIT GAUGE

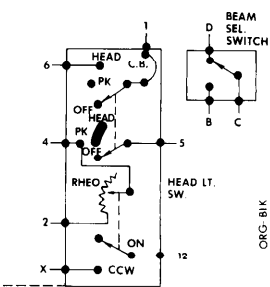


- A = CHARGE
- B = LOW FUEL
- C = CHECK ENGINE
- D = WAIT
- E = BLANK
- F = LIGHTS ON
- G = OIL/CHOKE
- H = TEMP.
- I = FASTEN BELTS/TAILGATE AJAR
- J = WATER IN FUEL DIESEL
- K = BRAKE
- L = FASTEN BELTS
- M = RIGHT TURN
- N = GROUND
- O = 12V (IGN)
- P = FUEL GAUGE
- Q, R, T, V & = INST. LIGHTS
- S = HI BEAM
- U = LEFT TURN

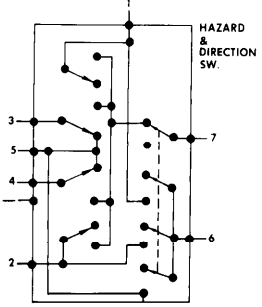
- A = GENERATOR
- B = LOW FUEL
- C = CHECK ENGINE
- D = WAIT
- E = START (BLOCKED OUT, BULB REQUIRED)
- F = LIGHTS ON
- G = ENGINE
- H = FASTEN BELTS
- J = BRAKE
- K = FASTEN BELTS
- L = OIL PRESSURE GAGE
- M = VOLTMETER
- N, Q, R, X, Z = INST. LIGHTS
- O = TEMPERATURE GAGE
- P = FUEL GAGE
- S = RIGHT TURN
- T = LEFT TURN
- U = HI BEAM
- V = 12V (IGN)
- Y = GROUND



IGNITION SW.



HEAD LT. SW.



HAZARD & DIRECTION SW.

