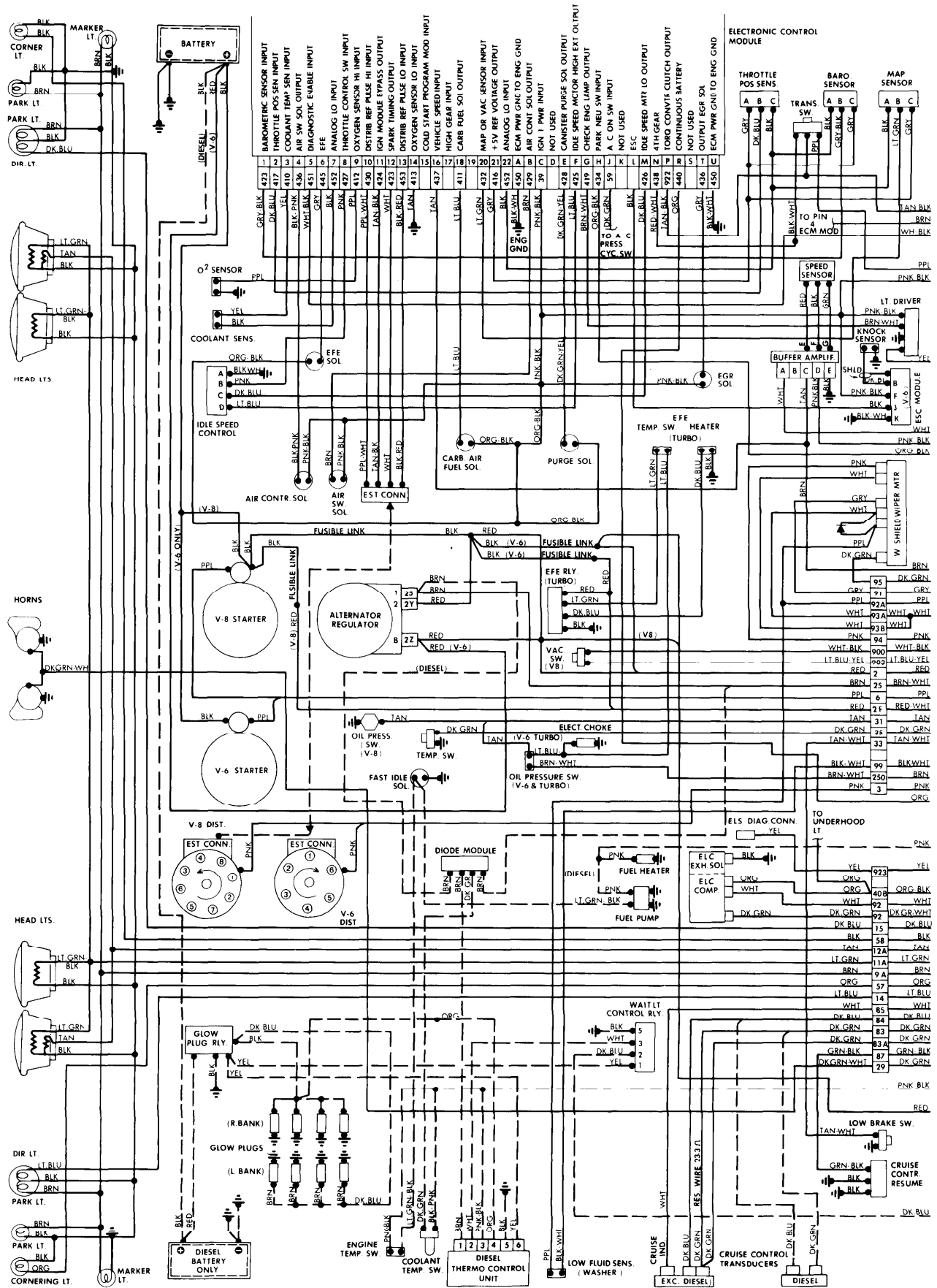


ENGINE COMPARTMENT



FUSE BLOCK & UNDERDASH

WIRING DIAGRAMS

