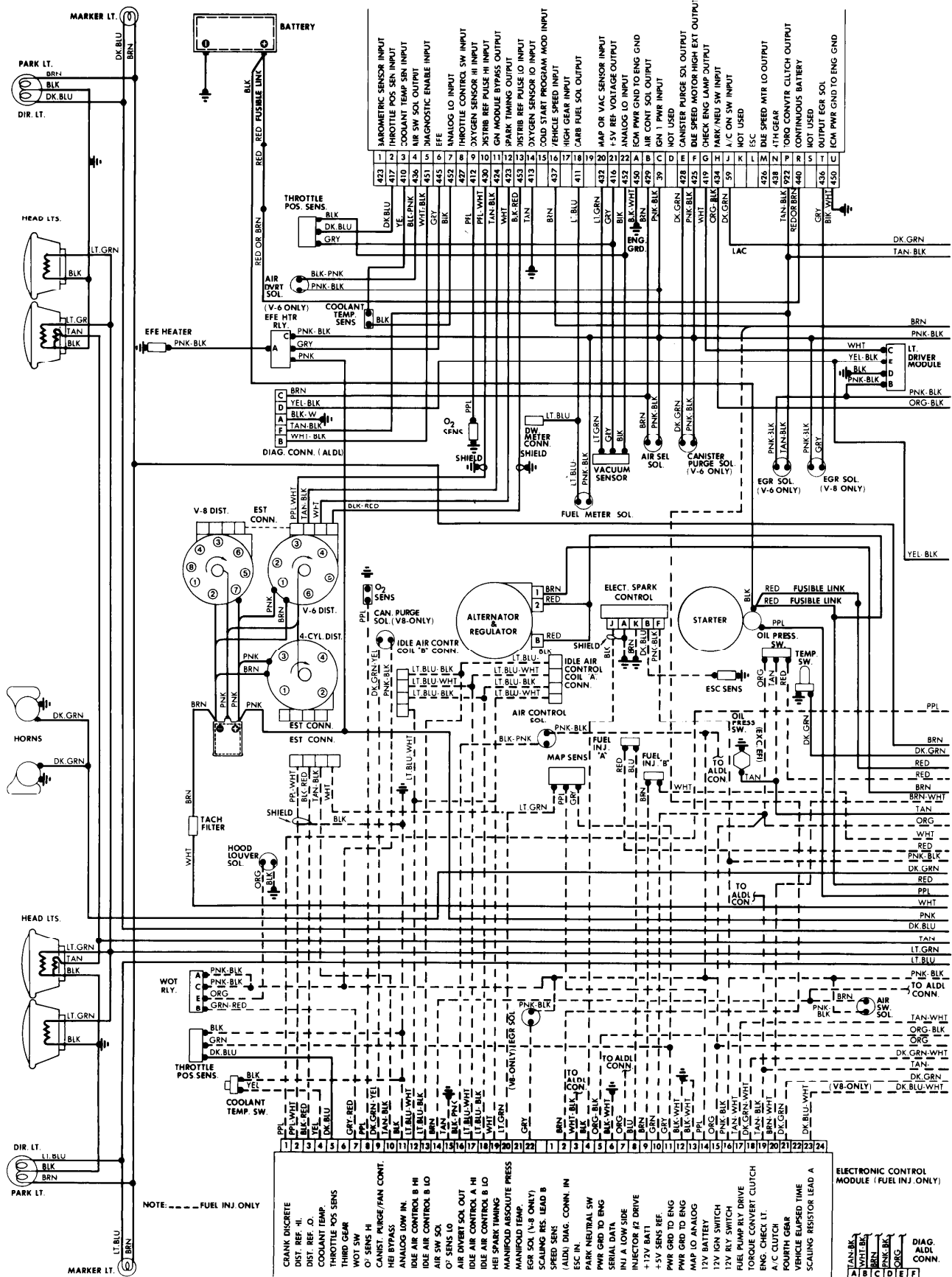
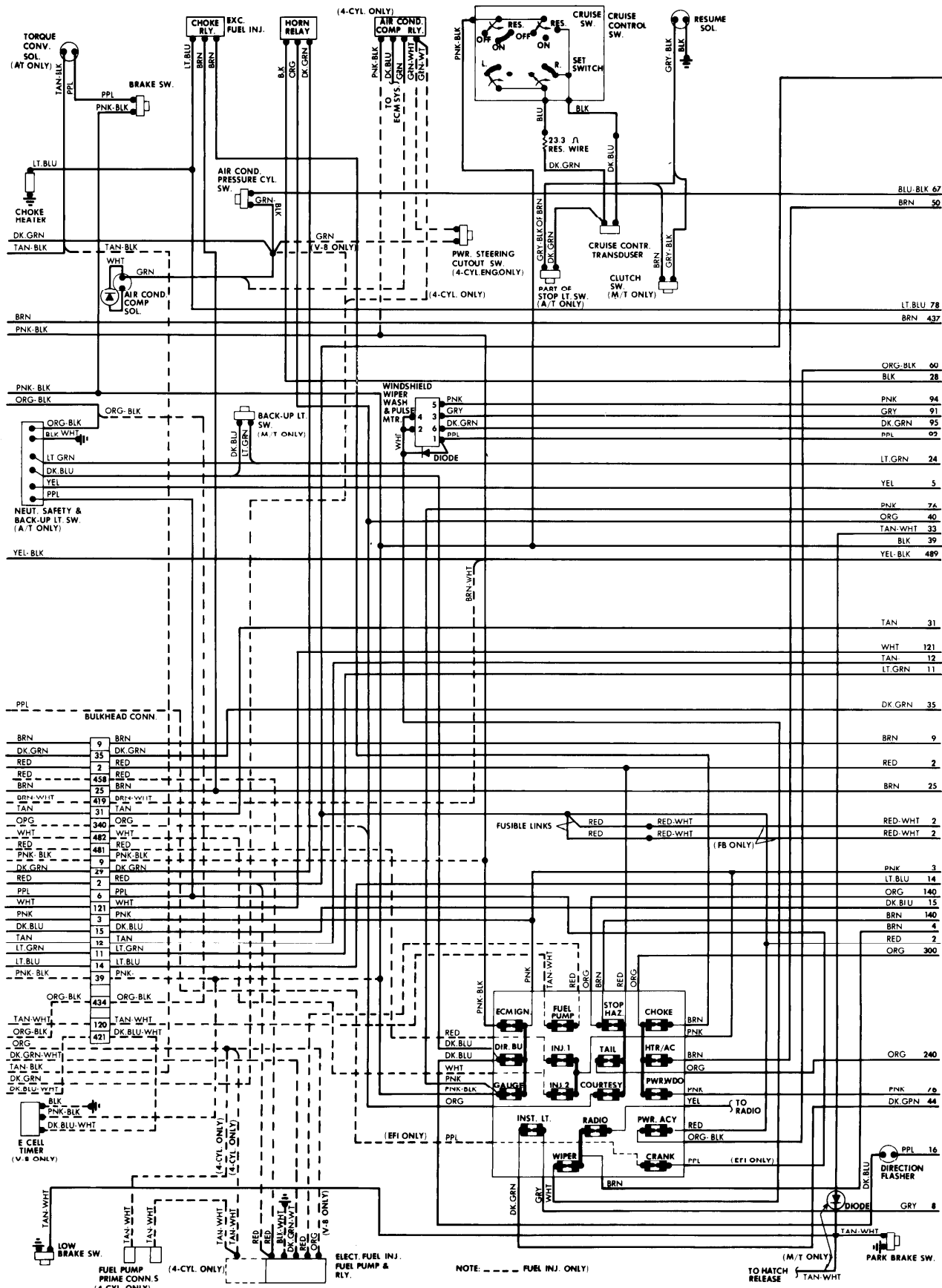


## ENGINE COMPARTMENT

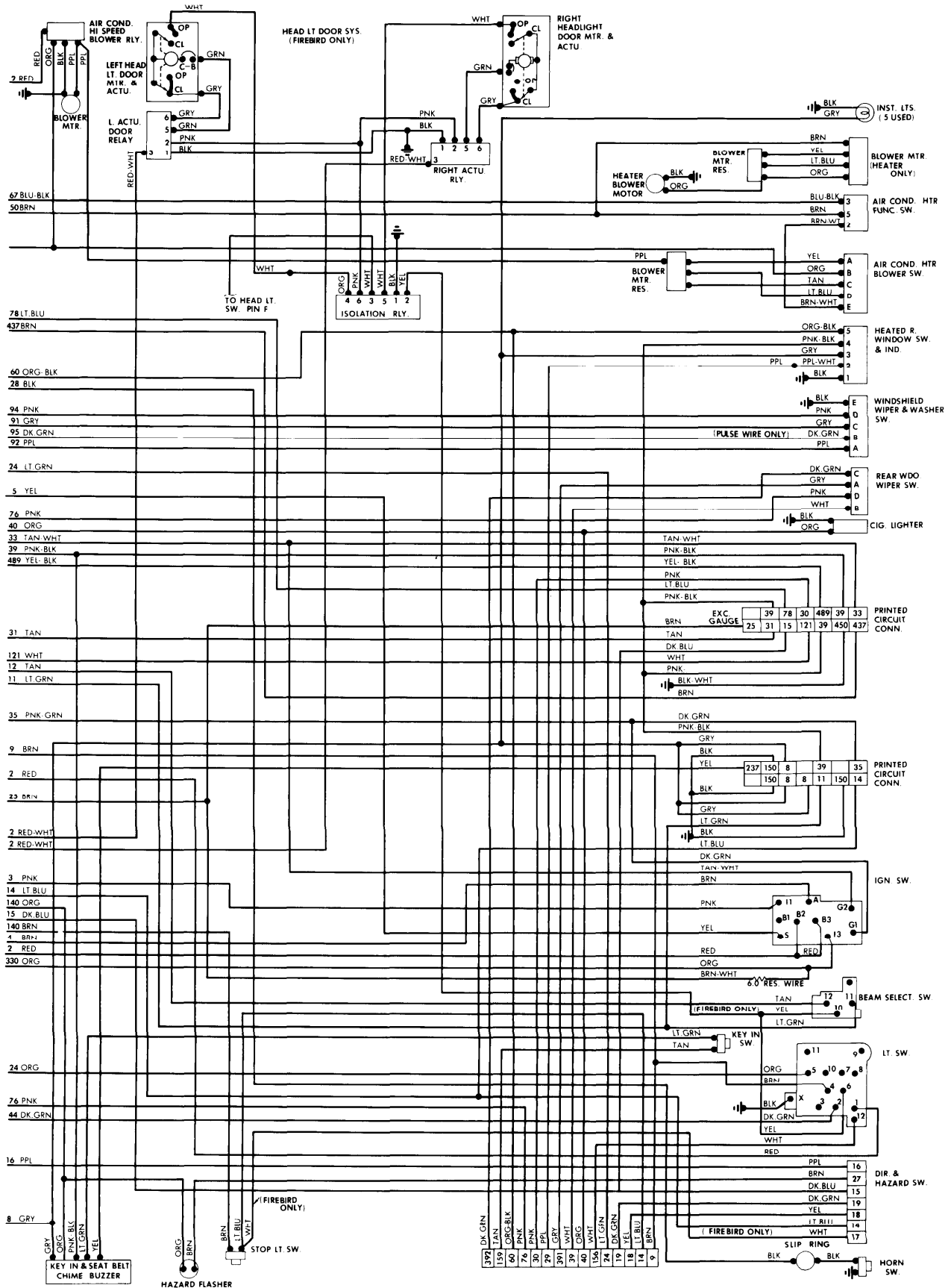


## FUSE BLOCK & UNDERDASH

WIRING DIAGRAMS



## INSTRUMENT PANEL & UNDERDASH



## REAR COMPARTMENT & ACCESSORIES

WIRING DIAGRAMS

