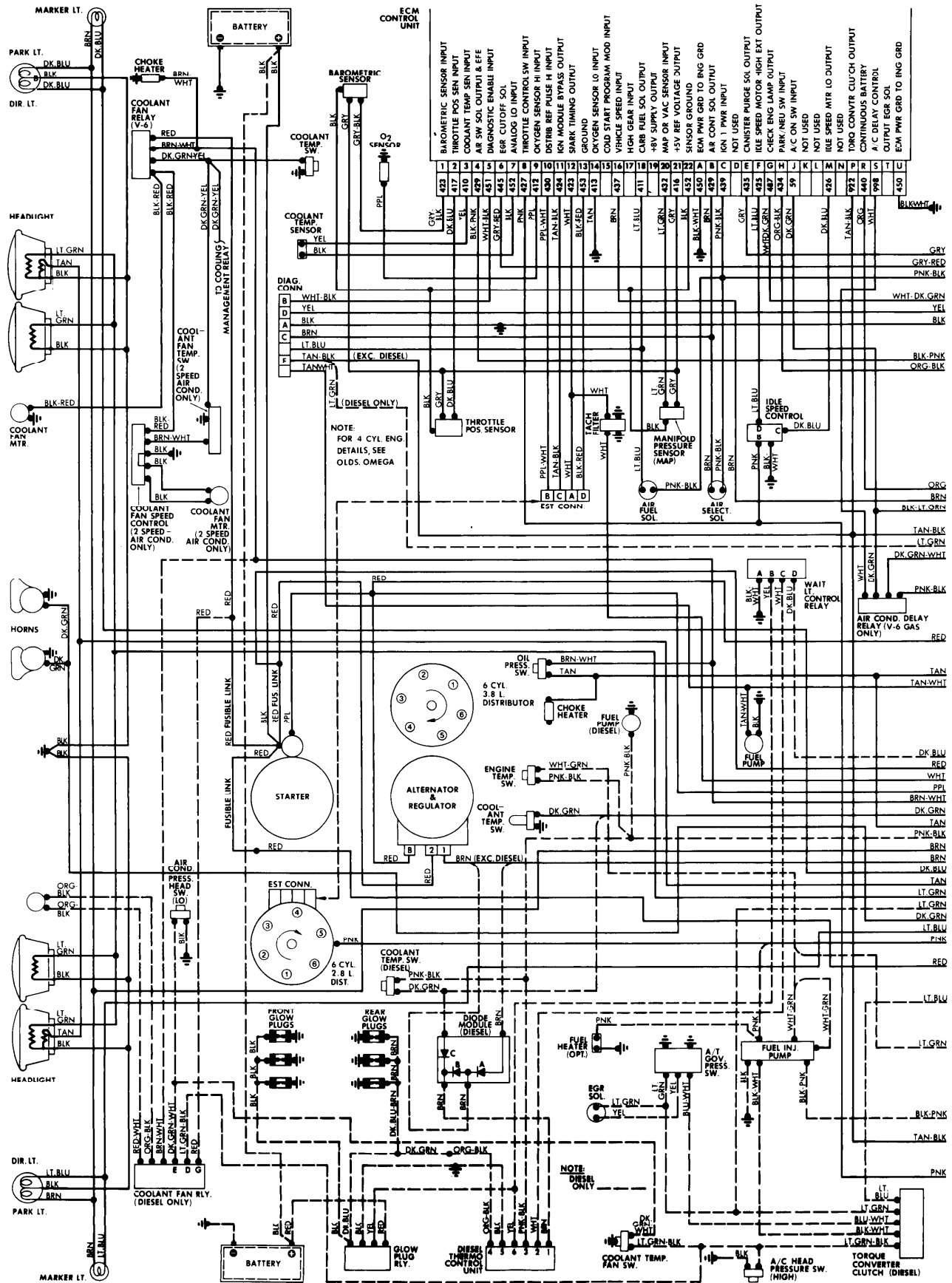


1982 General Motors

ENGINE COMPARTMENT



FUSE BLOCK & UNDERDASH

WIRING DIAGRAMS

