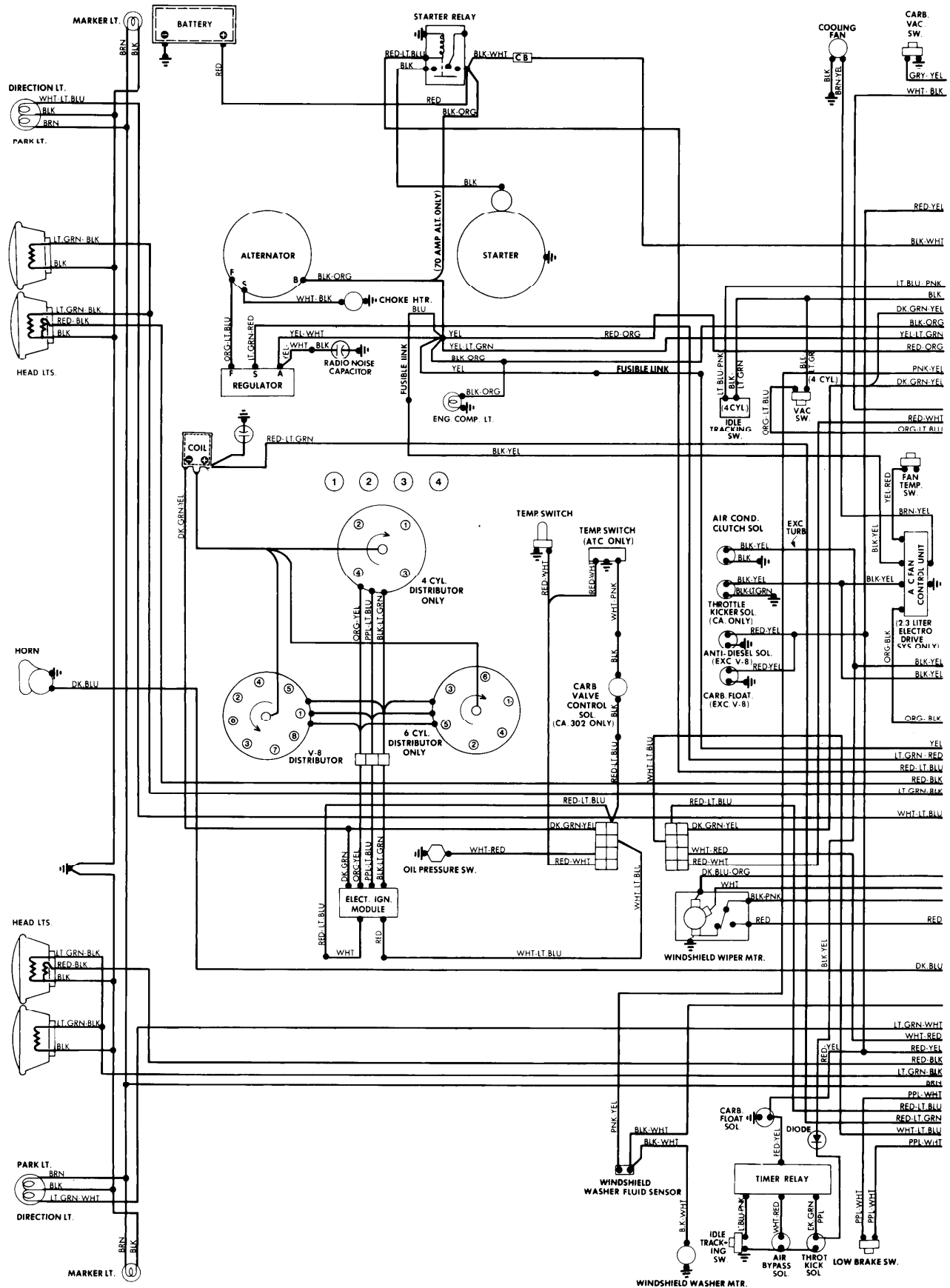
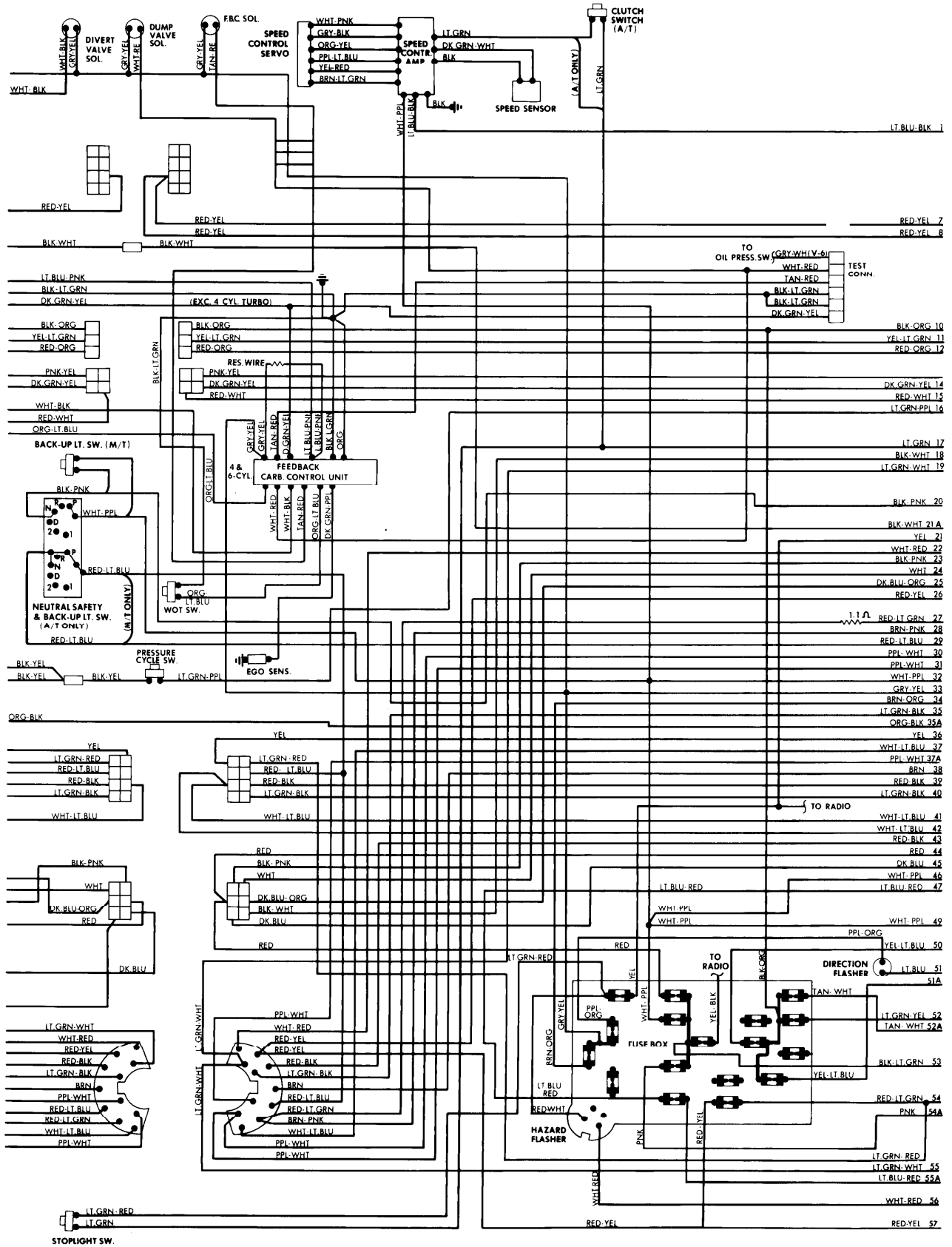


ENGINE COMPARTMENT

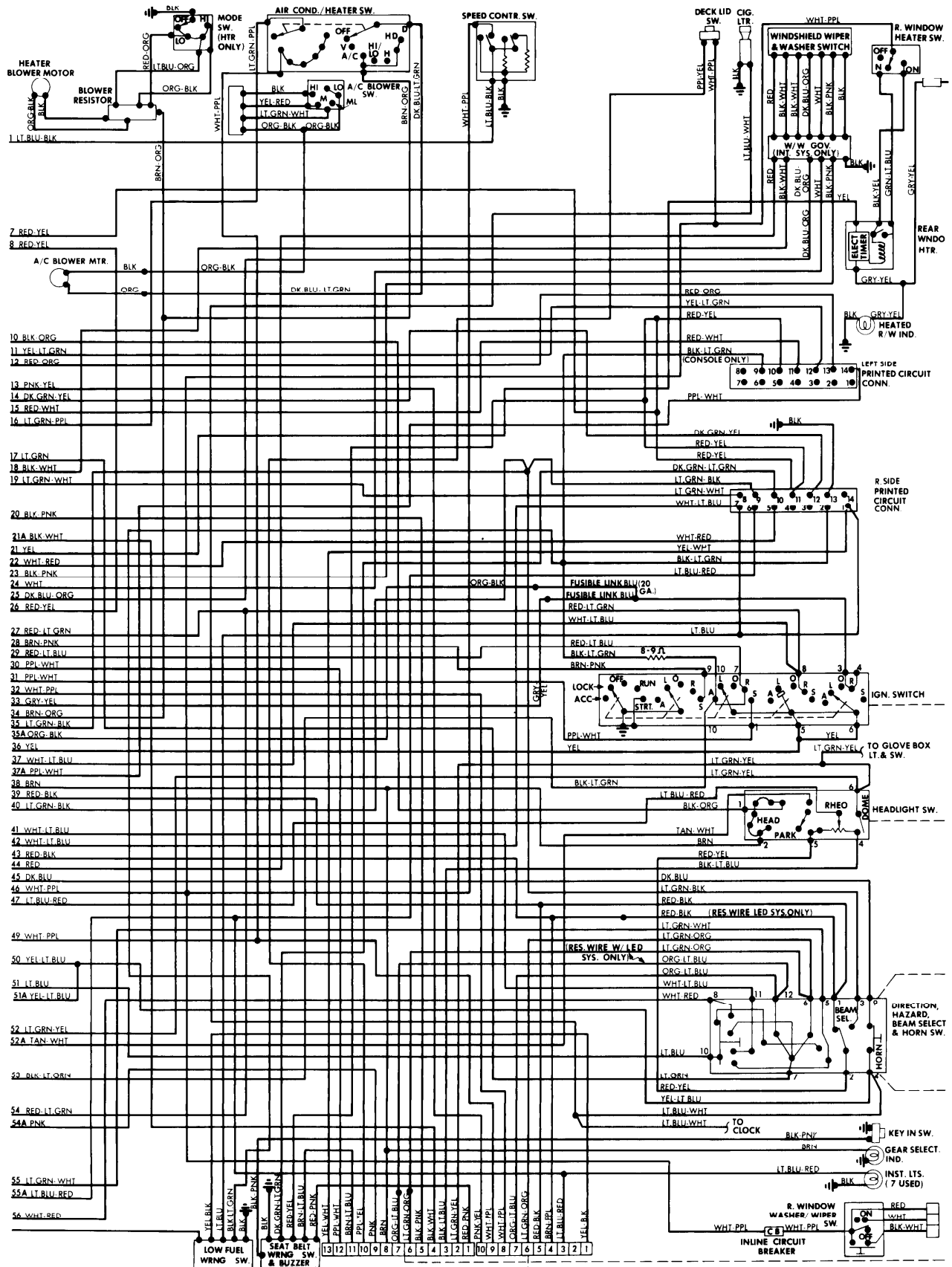


FUSE BLOCK & UNDERDASH

WIRING DIAGRAMS



INSTRUMENT PANEL & UNDERDASH



REAR COMPARTMENT & ACCESSORIES

WIRING DIAGRAMS

