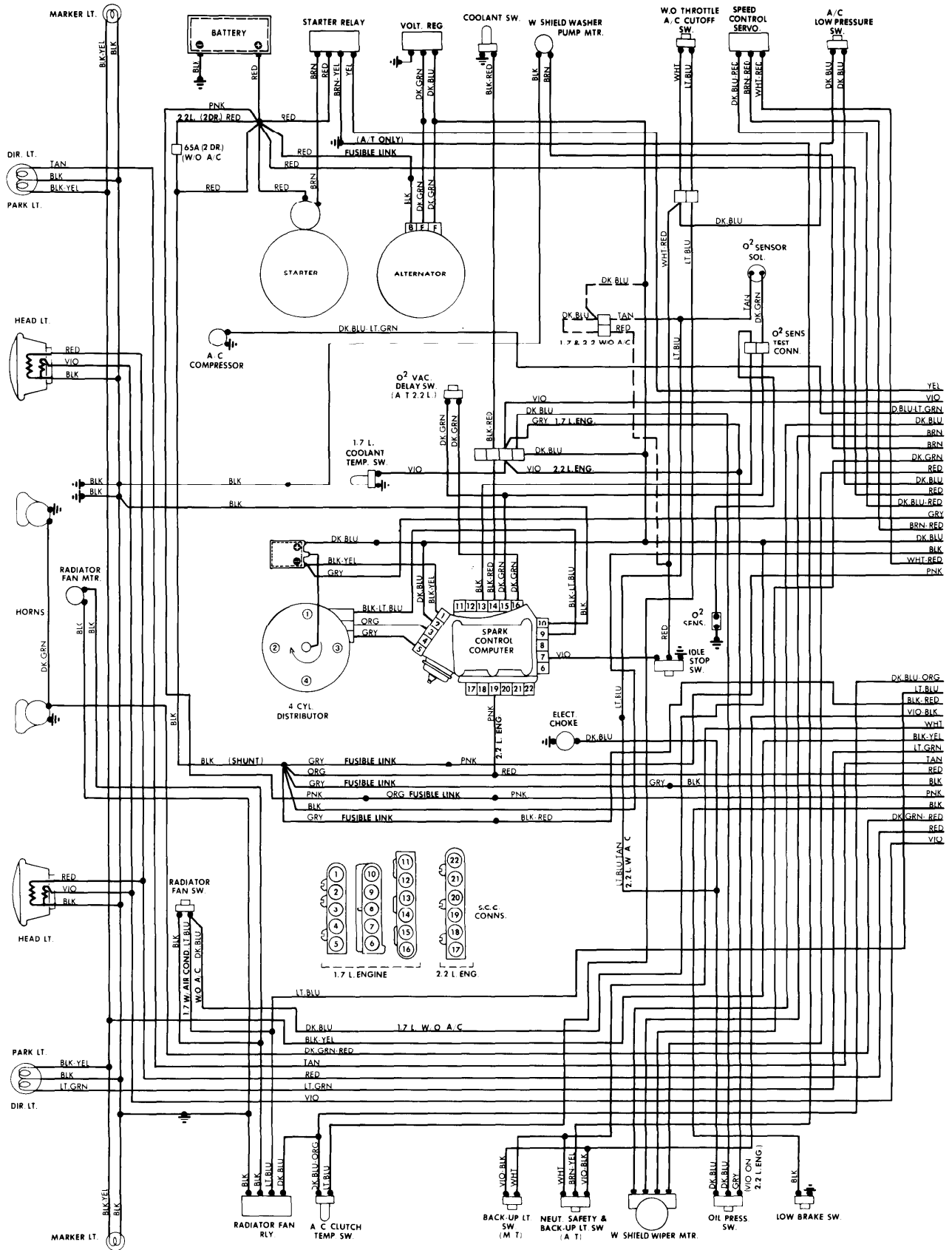


## ENGINE COMPARTMENT





## INSTRUMENT PANEL & UNDERDASH

