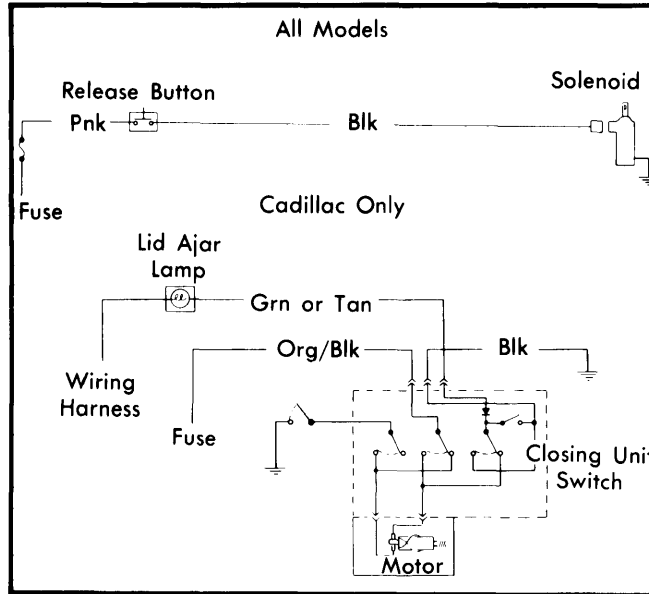
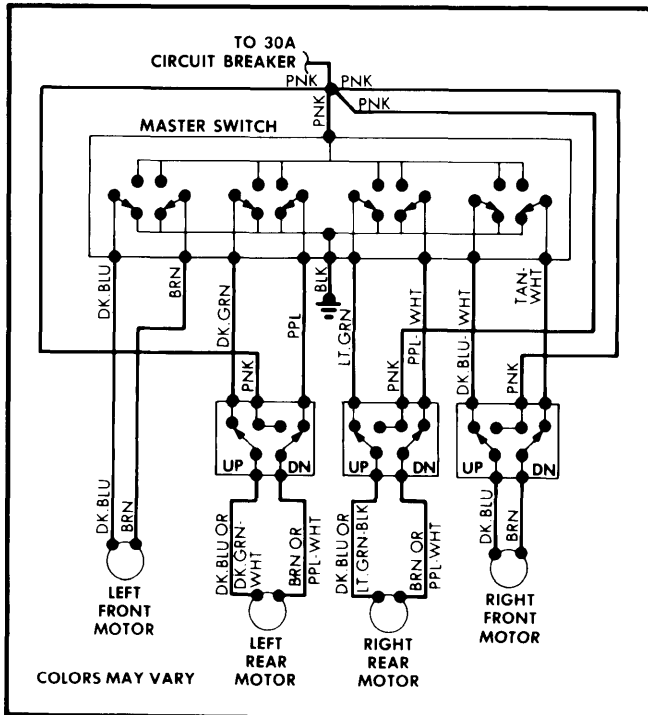


1980 Trunk Lid Latches - Electric

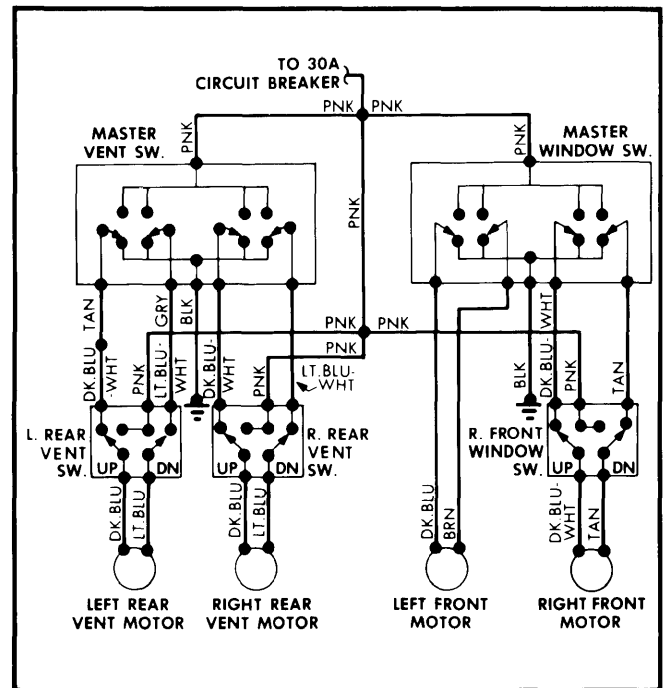


Trunk Release and Pull Down Wiring Diagram for General Motors

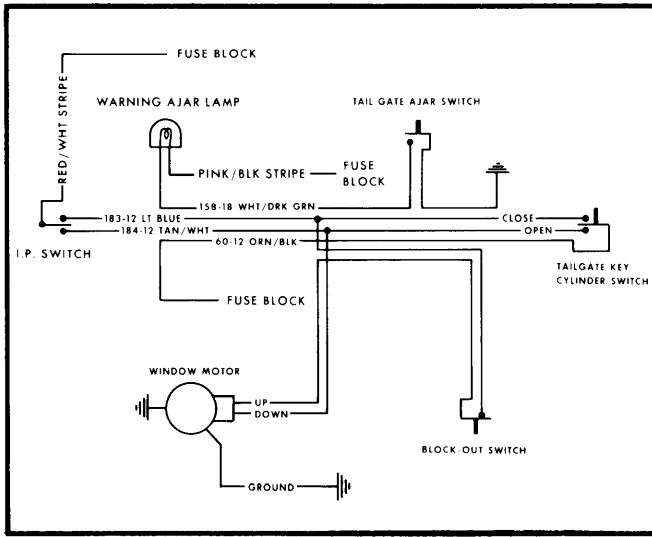
1980 Window Controls - Electric



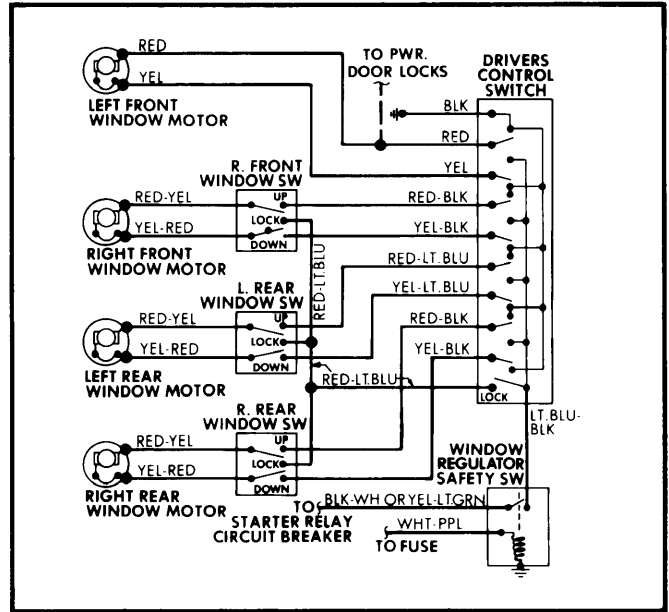
Power Window Wiring Diagram for General Motors (4-Door Models)



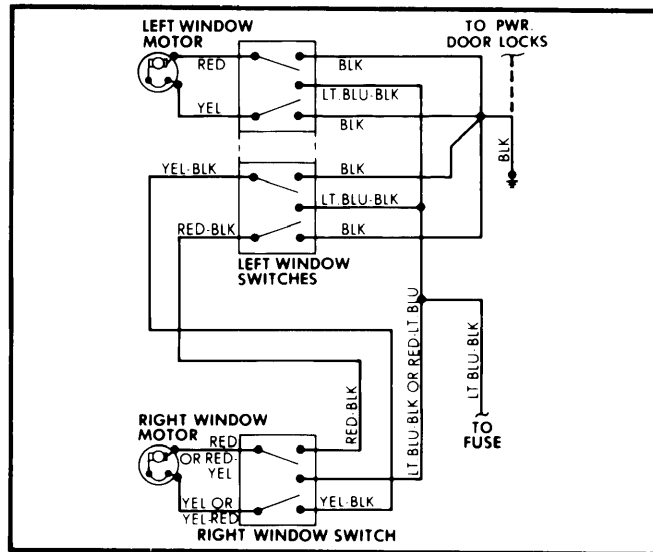
Power Window Wiring Diagram for General Motors (Power Rear Vents)



Power Tailgate Window Wiring Diagram for General Motors



Power Window Wiring Diagram for Ford Motor Co. (4-Door Models)



Power Window Wiring Diagram for Ford Motor Co. (Separate Master Switches)