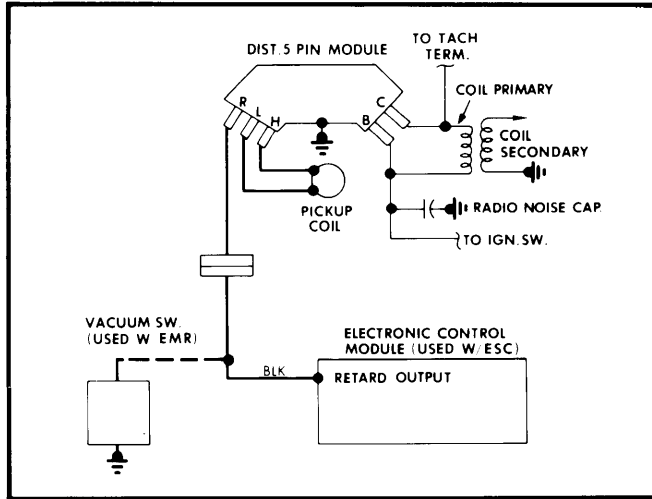
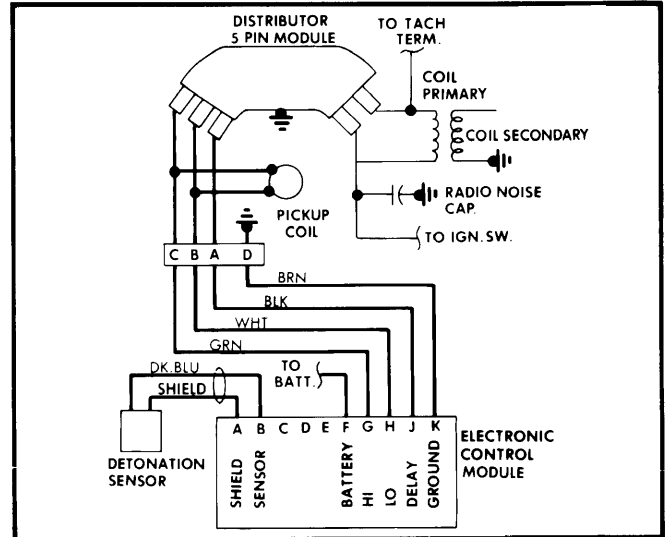


1980 Spark Timing Systems - Electric 4-141

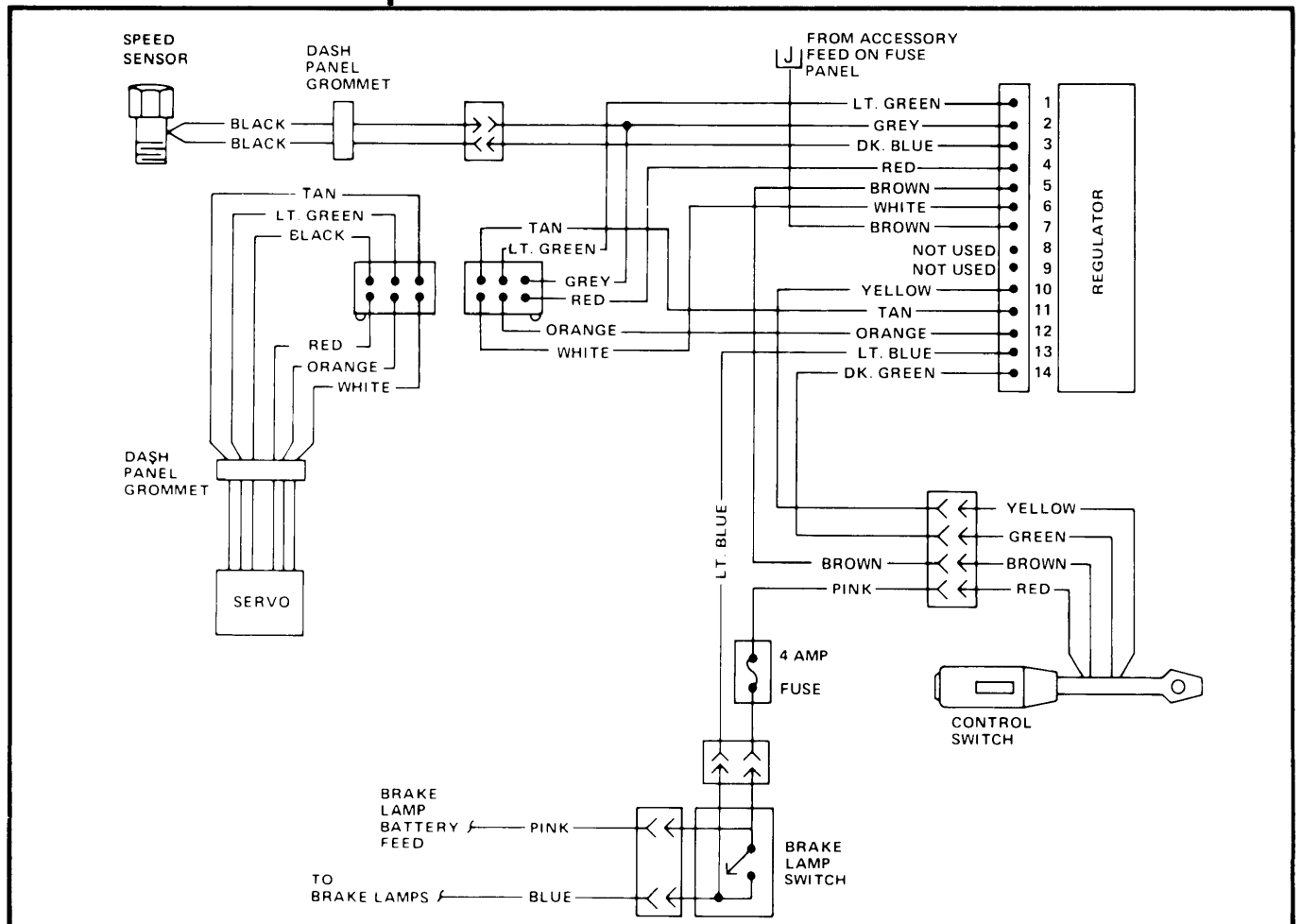


Electronic Module Retard (EMR) Ignition System Wiring Diagram for General Motors



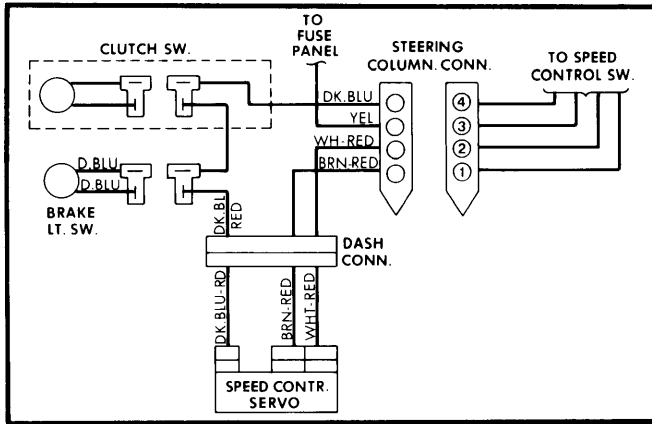
Electronic Spark Control (ESC) with Turbocharger Ignition System Wiring Diagram for General Motors

1980 Speed Controls - Electric

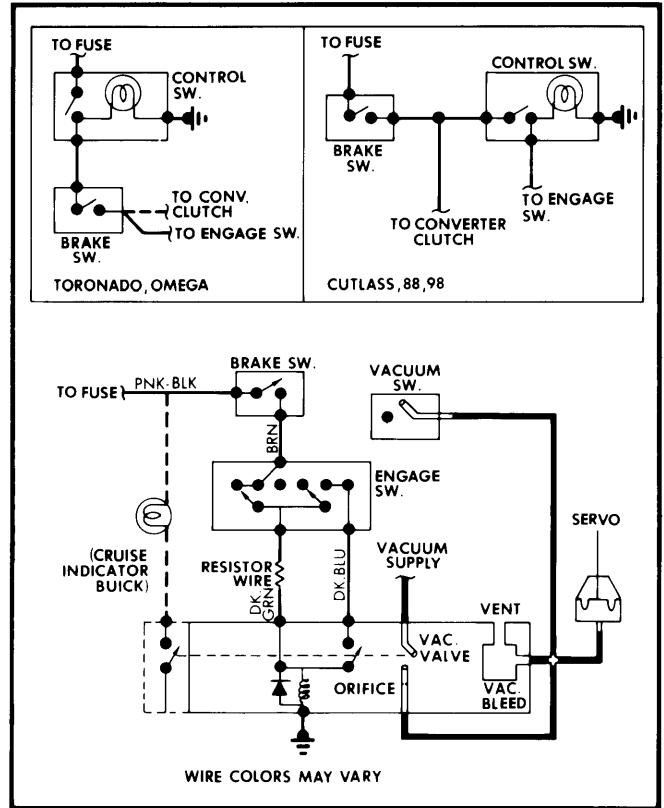


Cruise Command Wiring Diagram for American Motors

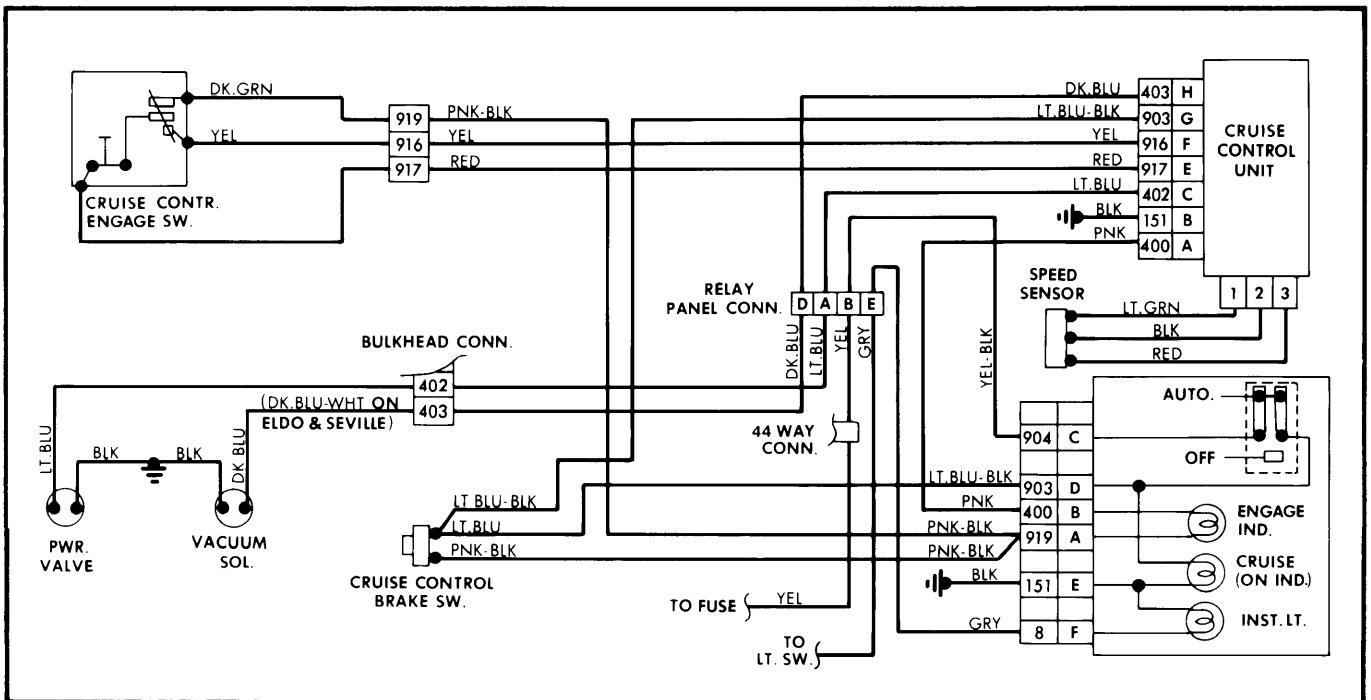
1980 Speed Controls - Electric



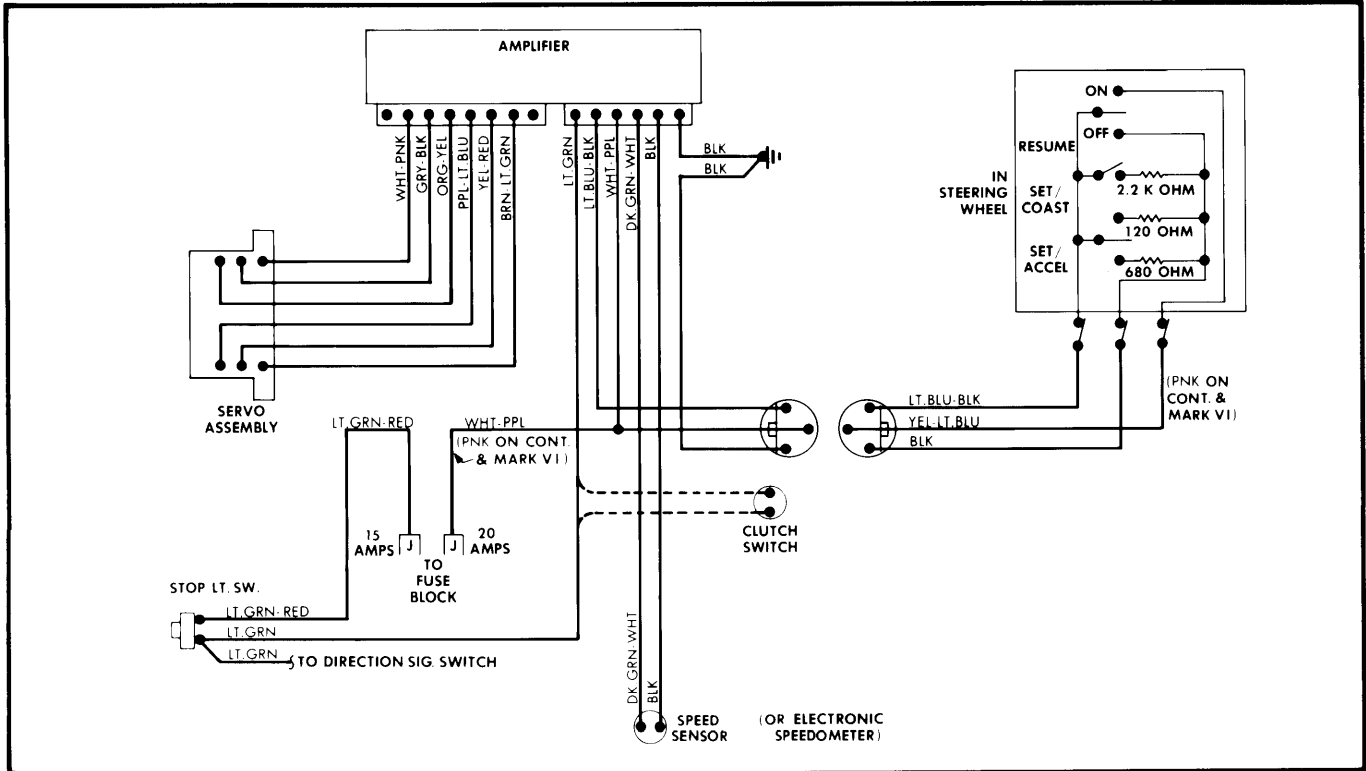
Speed Control System Wiring Diagram for Chrysler Corp.



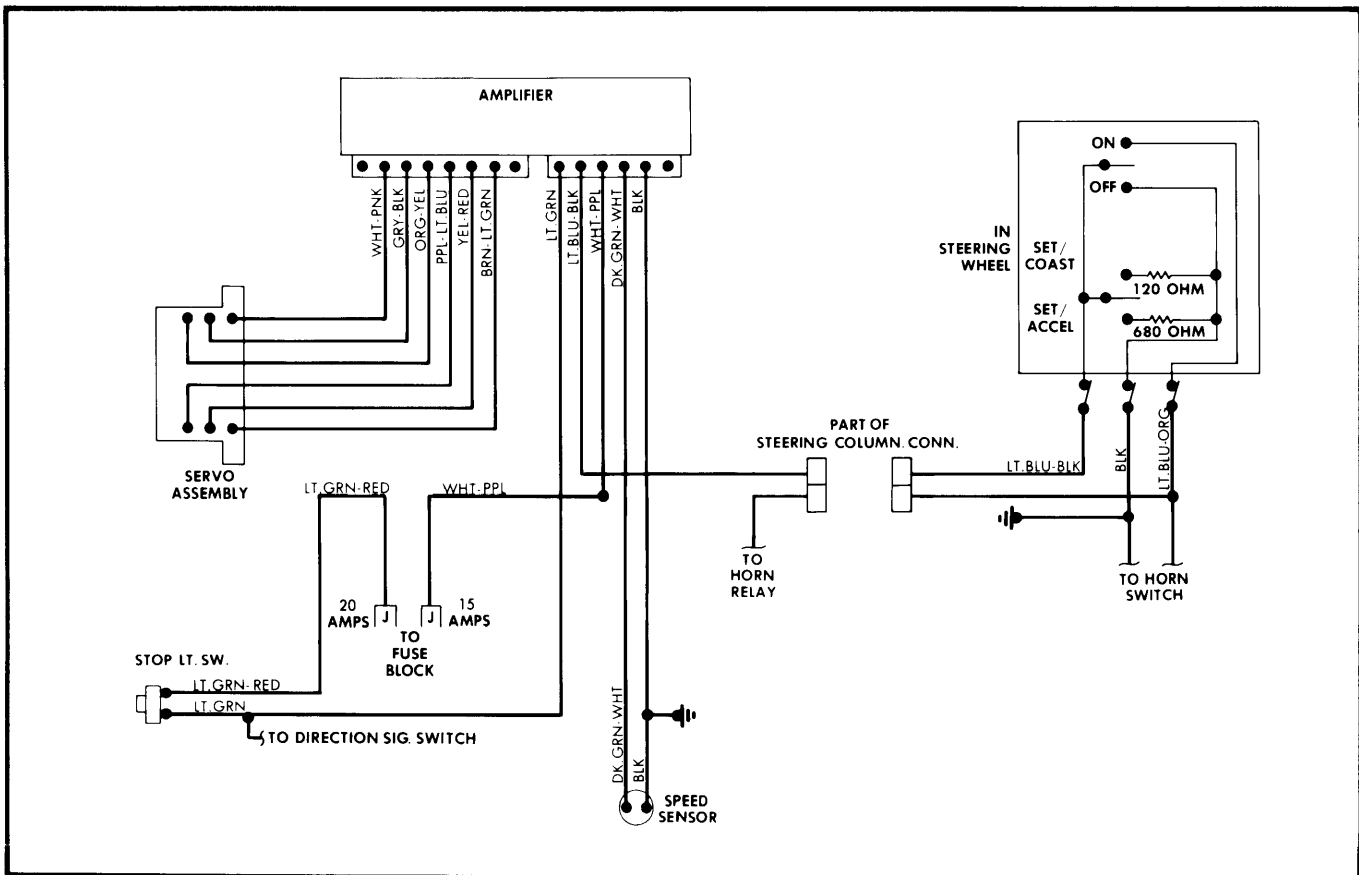
Cruise Master Vacuum and Wiring Diagram for General Motors (Exc. Cadillac)



Electronic Cruise Control System Wiring Diagram for General Motors (Cadillac)



Automatic Speed Control (with Resume) Wiring Diagram for Ford Motor Co. (Exc. Granada, Monarch & Versailles)



Automatic Speed Control (without Resume) Wiring Diagram for Ford Motor Co. (Granada, Monarch & Versailles)