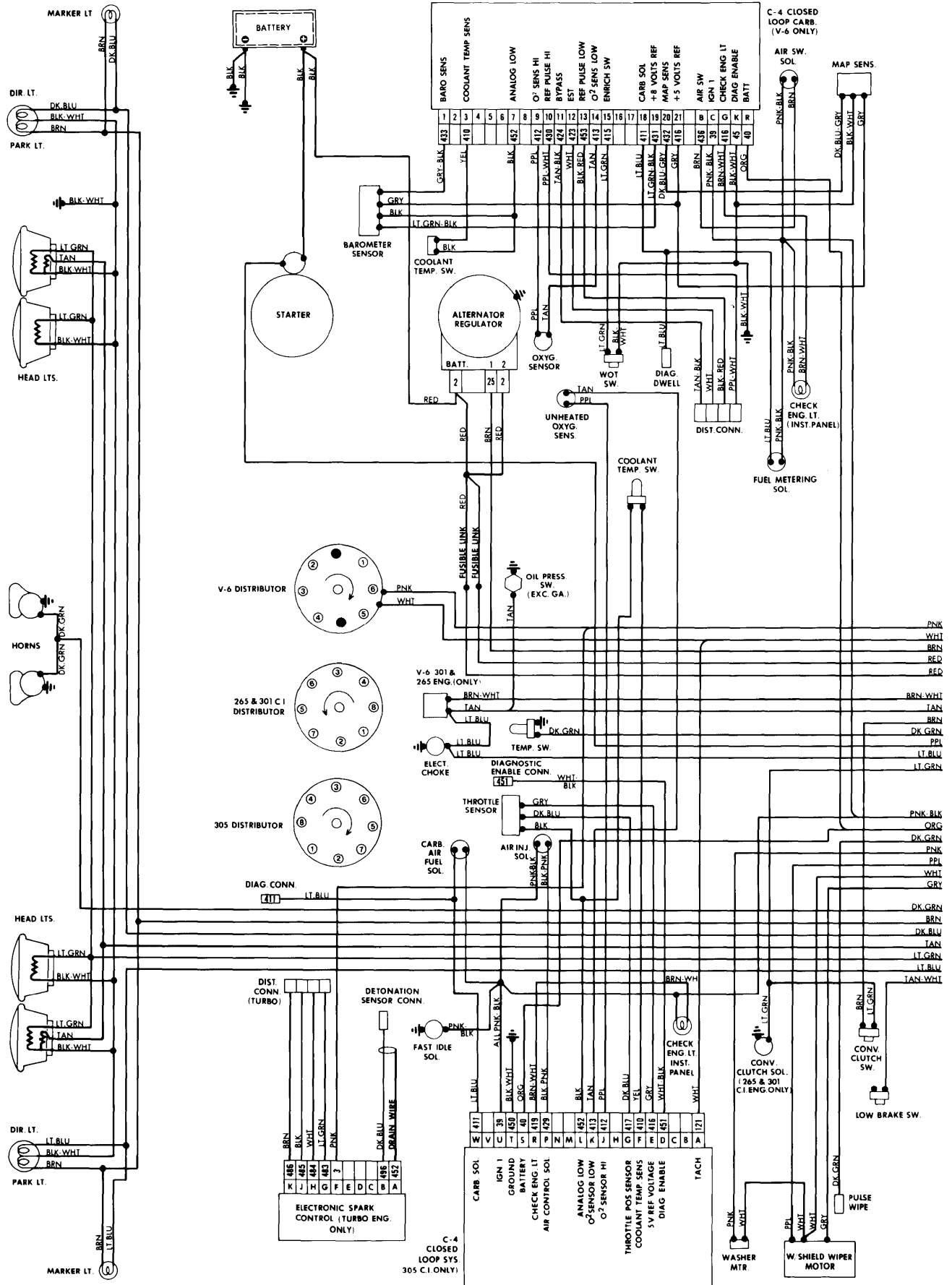
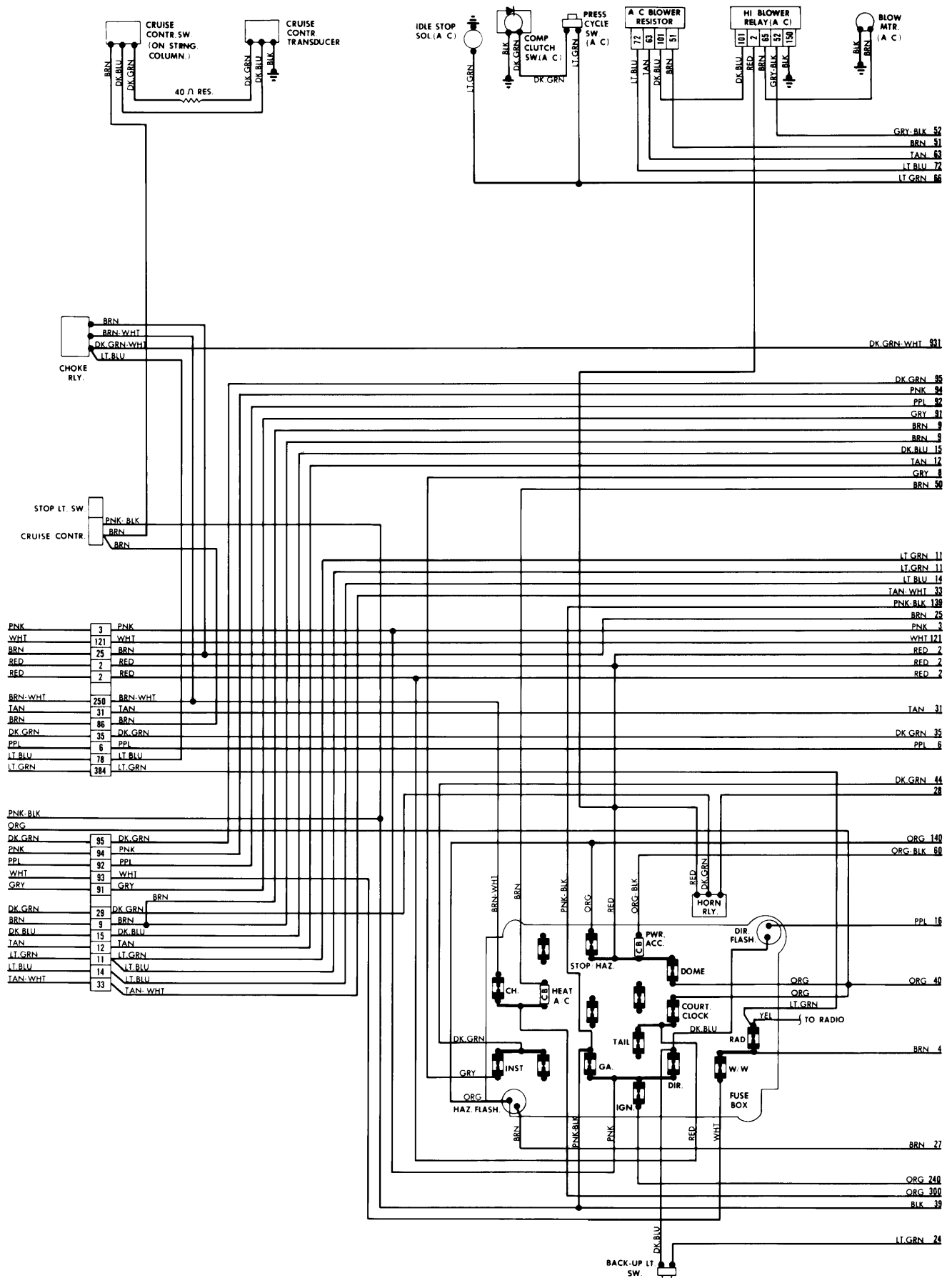
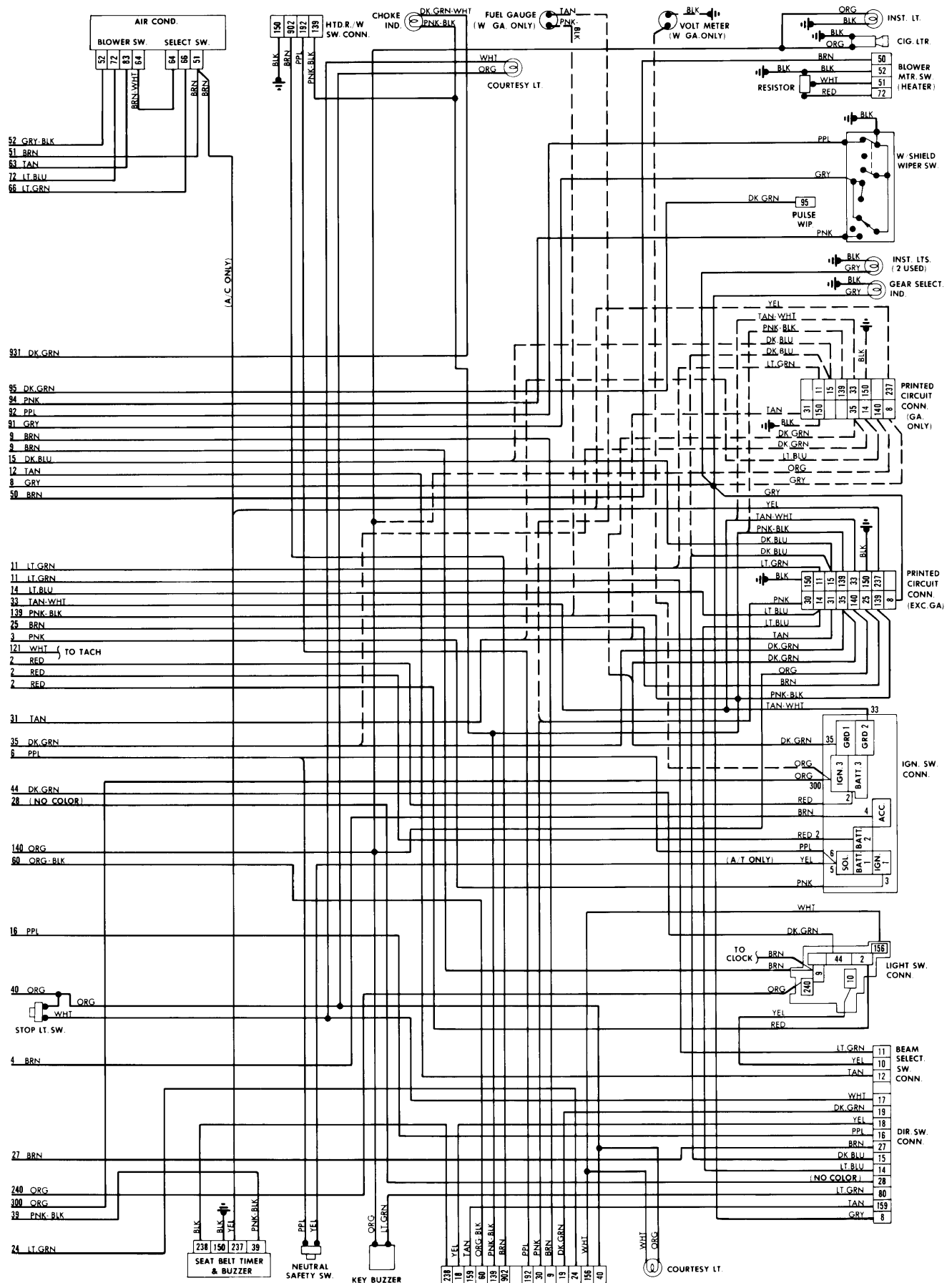


# 1980 General Motors

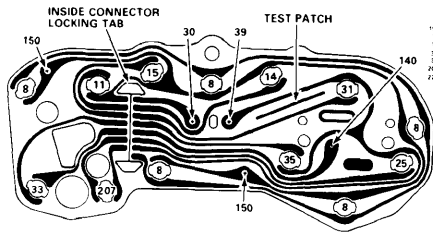




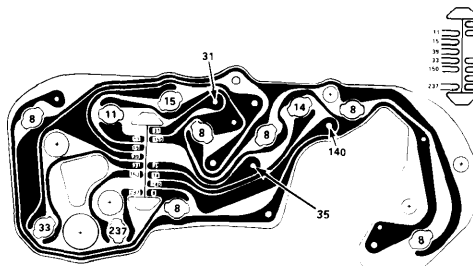
# 1980 General Motors



PRINTED CIRCUIT WITHOUT RALLY GAGES

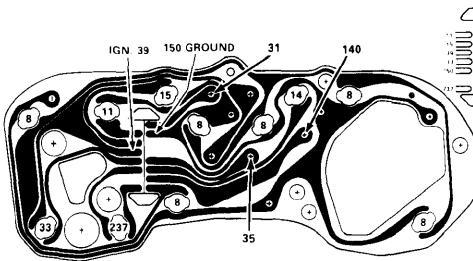


- LEGEND OF CONNECTOR PADS**
- 8 - ILLUMINATION
  - 11 - HIGH BEAM INDICATOR
  - 14 - LEFT TURN SIGNAL INDICATOR
  - 15 - RIGHT TURN SIGNAL INDICATOR
  - 25 - GENERATOR TELLTALE
  - 30 - FUEL GA SENDER
  - 31 - OIL TELLTALE
  - 33 - BRAKE WARNING INDICATOR
  - 36 - TEMP TELLTALE
  - 39 - IGNITION
  - 140 - CLOCK
  - 150 - GROUND
  - 207 - STARTER INTERLOCK GROUND
  - 220 - STARTER INTERLOCK TELLTALE



- LEGEND OF CONNECTOR PADS**
- 237 - FASTEN SEAT BELTS
  - 150 - FASTEN SEAT BELTS
  - 33 - BRAKE WARNING INDICATOR
  - 39 - IGNITION
  - 15 - 7 RIGHT TURN SIGNAL
  - 11 - HI BEAM
  - 31 - OIL PRESSURE GAGE SENDER
  - 150 - GROUND
  - 10 - TEMPERATURE GAGE SENDER
  - 14 - LEFT TURN SIGNAL
  - 140 - CLOCK
  - 8 - ILLUMINATION

WITH RALLY GAGES - CLOCK AND TACH



- LEGEND OF CONNECTOR PADS**
- 237 - FASTEN SEAT BELTS
  - 150 - FASTEN SEAT BELTS
  - 33 - BRAKE WARNING INDICATOR
  - 39 - IGNITION
  - 15 - 7 RIGHT TURN SIGNAL
  - 11 - HI-BEAM
  - 31 - OIL PRESSURE GAGE SENDER
  - 150 - GROUND
  - 35 - TEMPERATURE GAGE SENDER
  - 14 - LEFT TURN SIGNAL
  - 140 - CLOCK
  - 8 - ILLUMINATION

WITH RALLY GAGES & RALLY CLOCK

