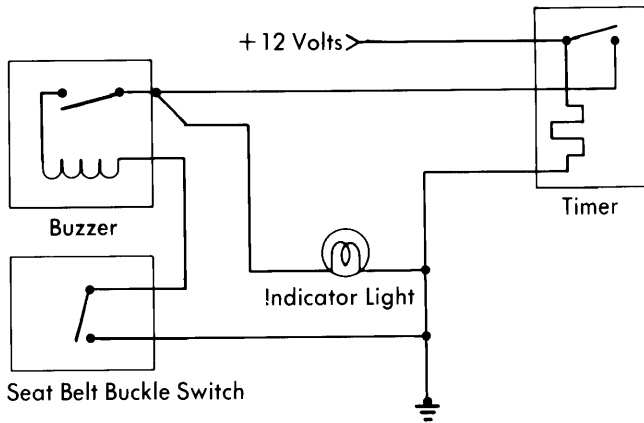
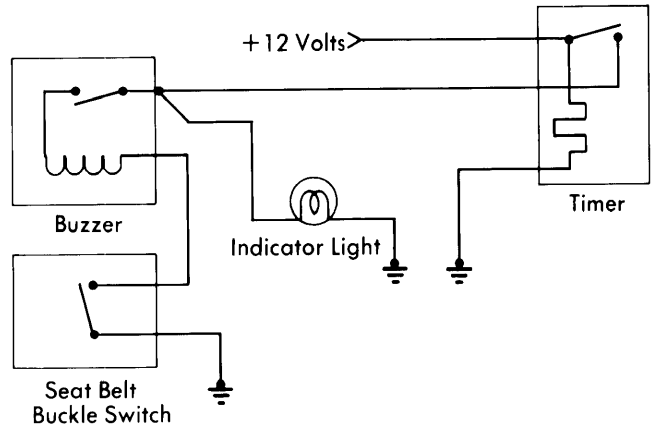


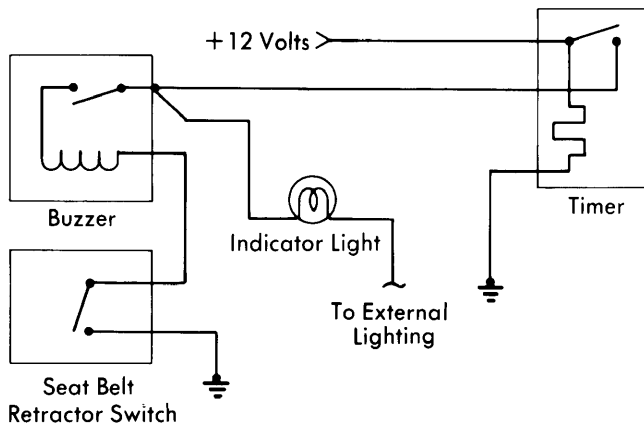
# 4-162 1978 Seat Belt Warning Systems



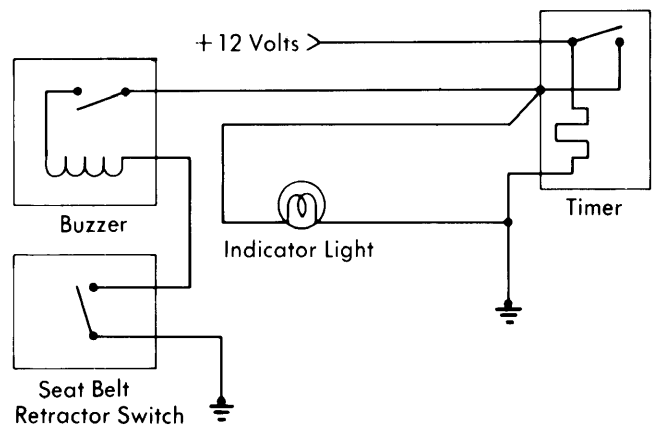
**American Motors Seat Belt Warning System Wiring Diagram**



**Chrysler Corp. Seat Belt Warning System Wiring Diagram**

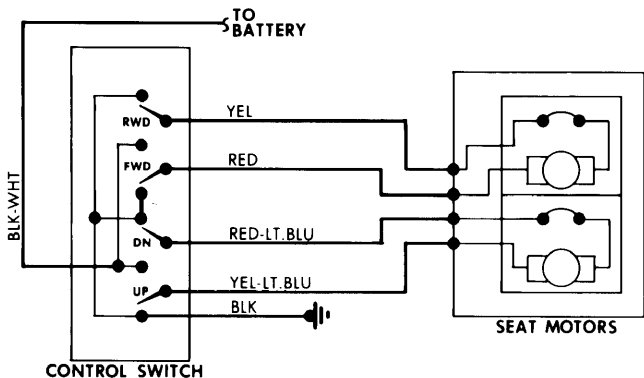


**Ford Motor Co. Seat Belt Warning System Wiring Diagram**

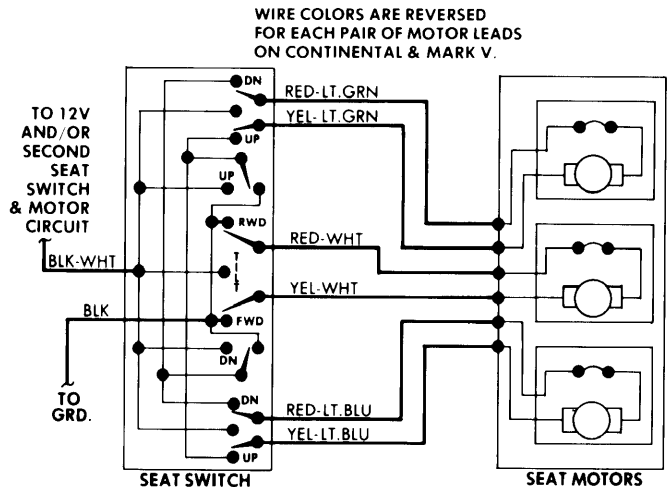


**General Motors Seat Belt Warning System Wiring Diagram**

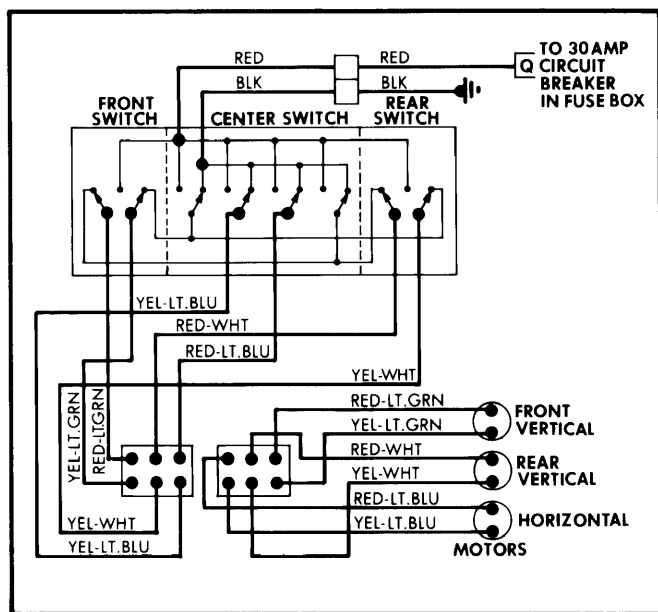
## 1978 Seat Controls – Electric



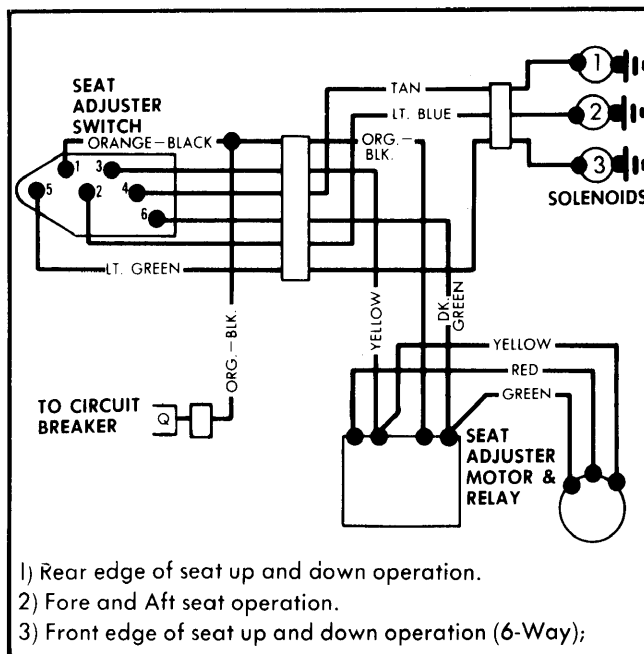
**Ford Motor Co. 4-Way Electric Seat Control Wiring Diagram for Granada & Monarch (Versailles 4-Way Seat Similar)**



**Ford Motor Co. 6-Way Electric Seat Control Wiring Diagram**

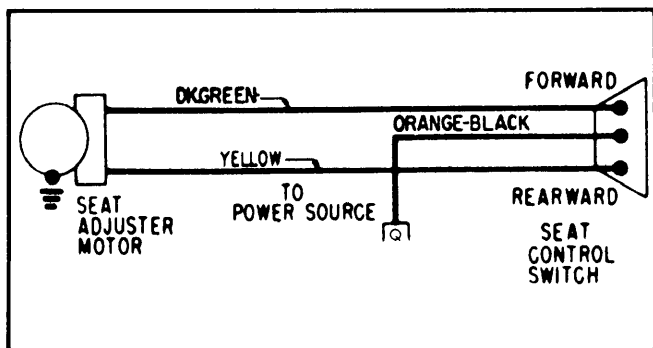


**Chrysler Corp. Electric Seat Control Wiring Diagram**

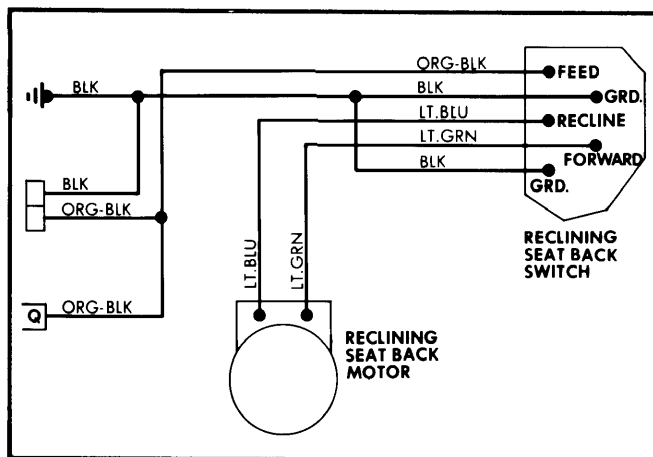


- 1) Rear edge of seat up and down operation.
- 2) Fore and Aft seat operation.
- 3) Front edge of seat up and down operation (6-Way);

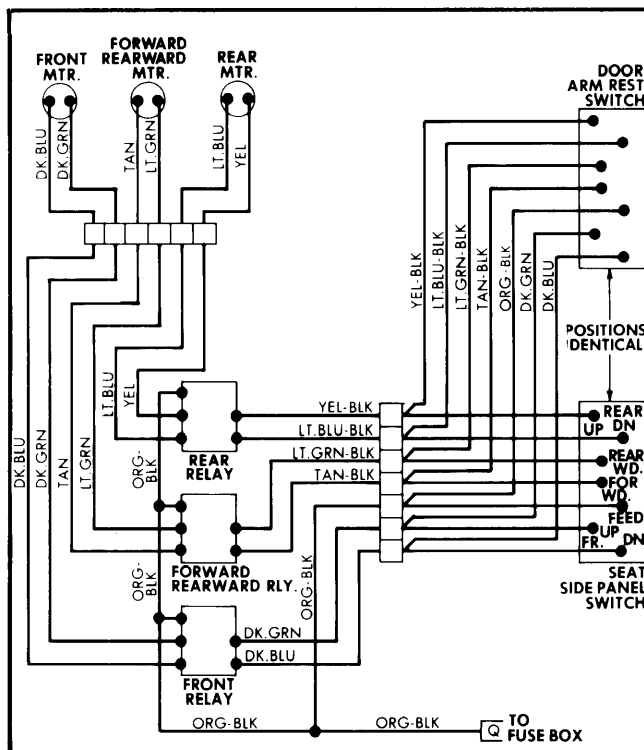
**General Motors 6-Way Power Seat Control Wiring Diagram (Exc. C-69 Style Cadillac)**



**General Motors 2-Way Electric Seat Control Wiring Diagram**



**General Motors Electric Reclining Seat Back Wiring Diagram**



**General Motors 6-Way Electric Seat Control Wiring Diagram (Cadillac C-69 Styles Only)**