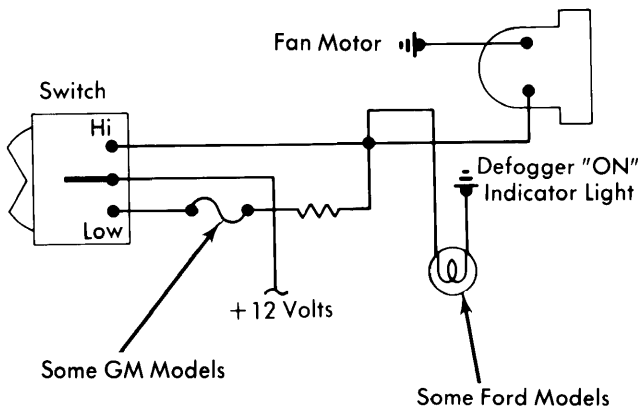
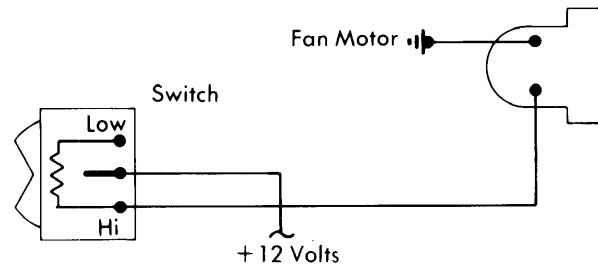


Ford Motor Co. Sure Track Wiring Diagram

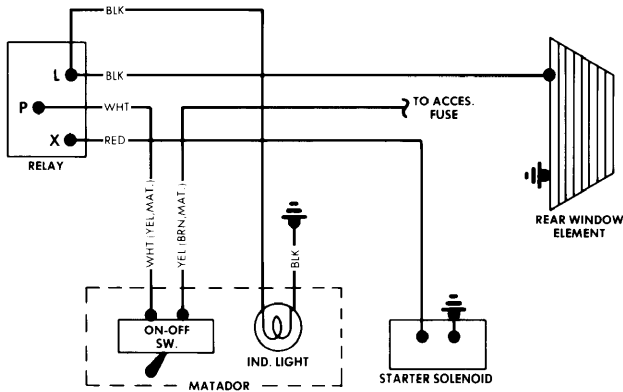
1978 Defoggers — Rear Window



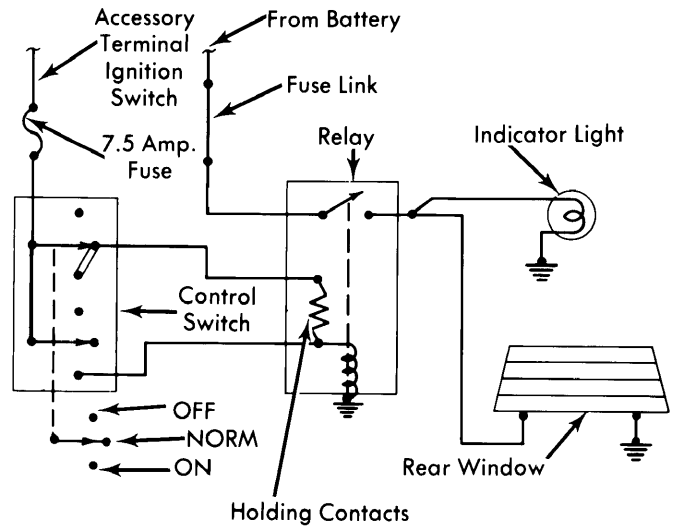
Wiring Diagram of Rear Window Defogger Fan Circuit with Resistor or Resistance Wire in Circuit (All Models)



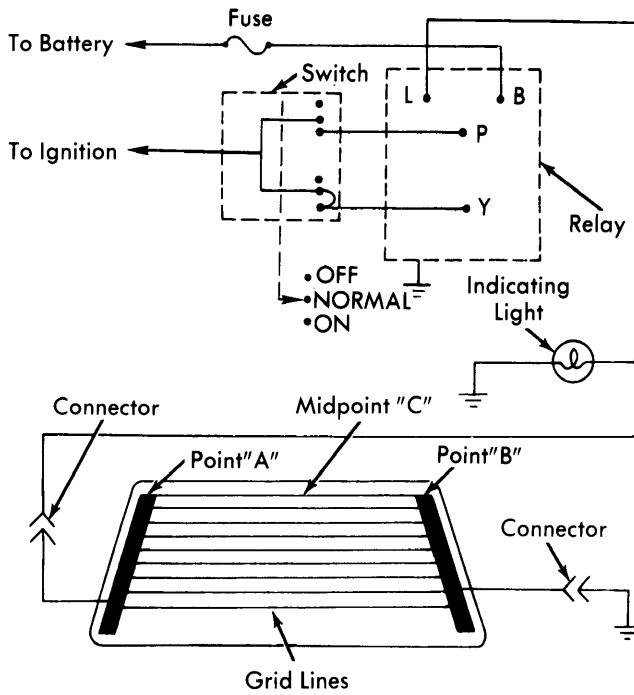
Wiring Diagram of Rear Window Defogger Fan Circuit with Resistor in Control Switch (All Models)



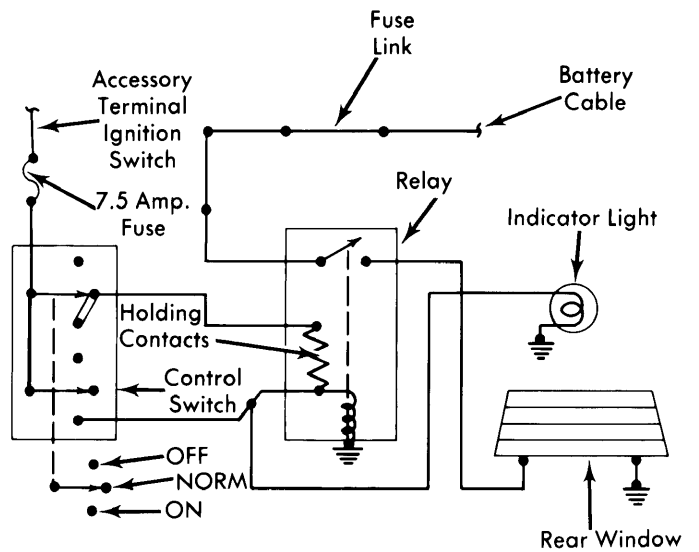
American Motors Rear Window Defogger Grid Wiring Diagram



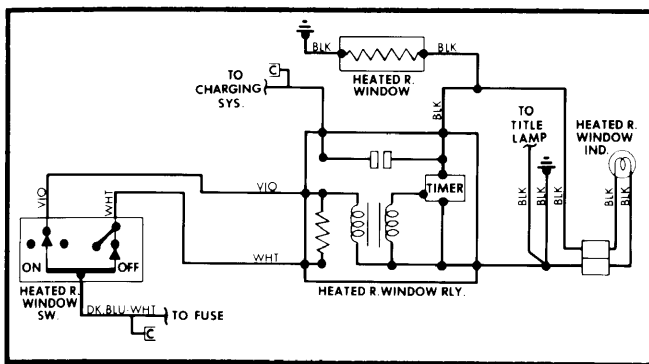
Ford Motor Co. Rear Window Defogger Grid Wiring Diagram for Ford, Mercury, Cougar, LTD II, Thunderbird, Mark V, & Continental



Chrysler Corp. Rear Window Defogger Grid Wiring Diagram

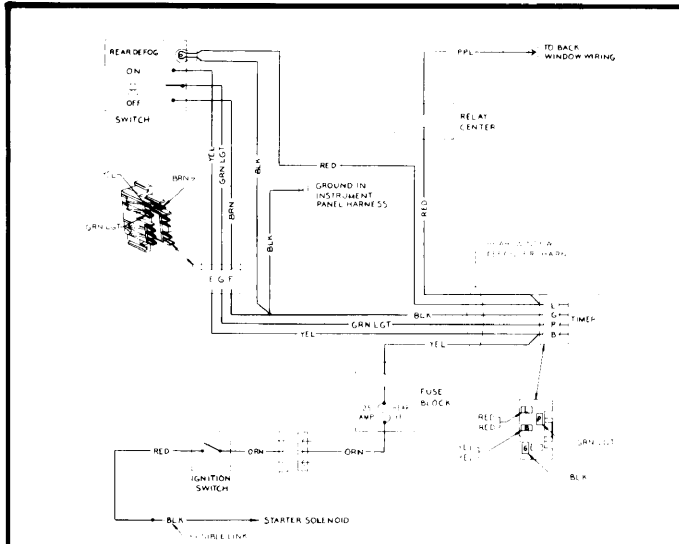


Ford Motor Co. Rear Window Defogger Grid Wiring Diagram for Mustang, Pinto, Bobcat, Granada, Monarch, Versailles, Fairmont & Zephyr

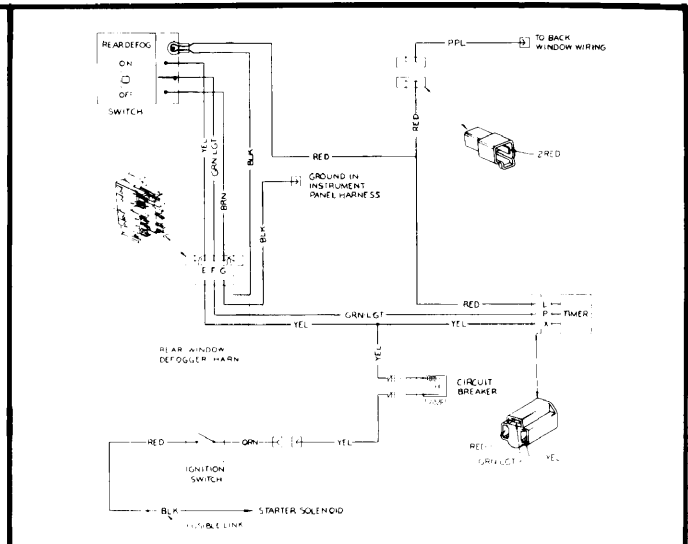


Chrysler Corp. Omni & Horizon Heated Rear Window Wiring Diagram

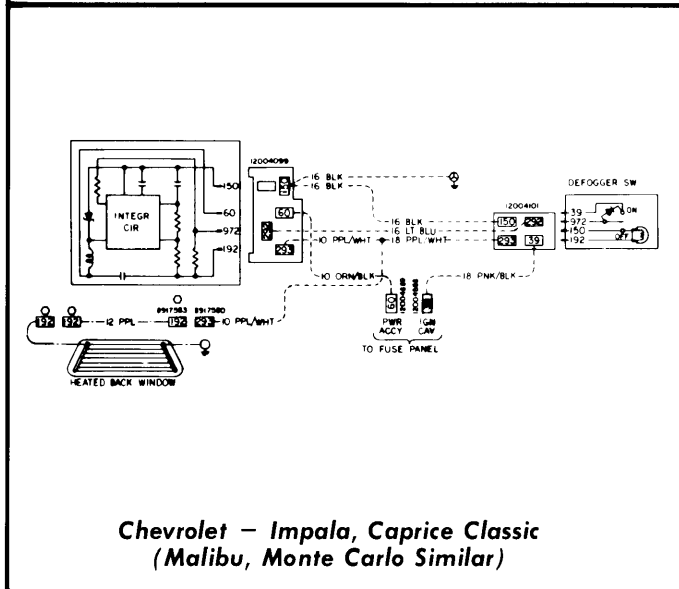
4-152 1978 Defoggers — Rear Window



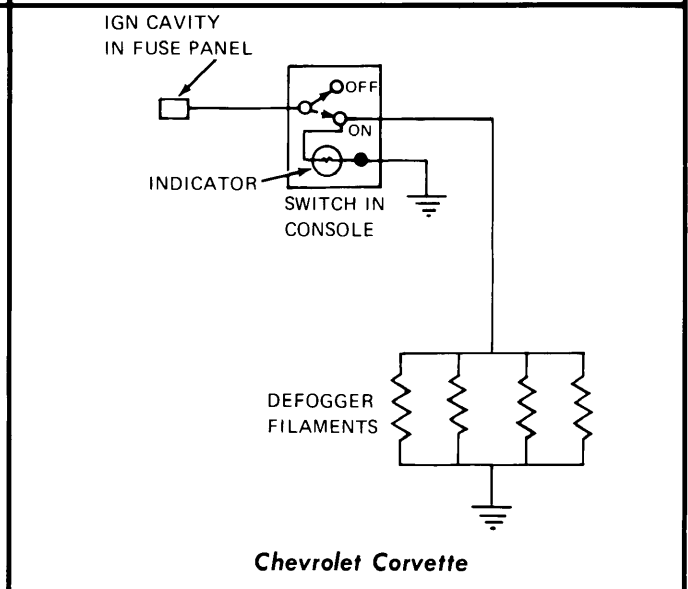
Cadillac (Exc. Eldorado & Seville)



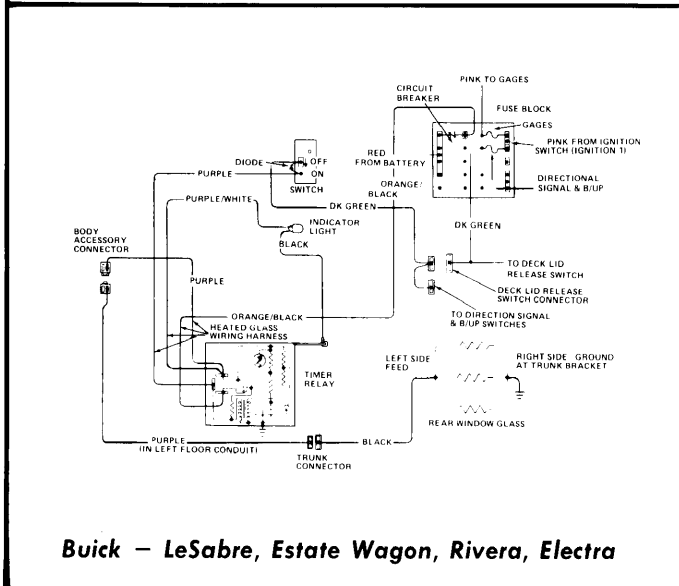
Cadillac Eldorado (Seville Similar)



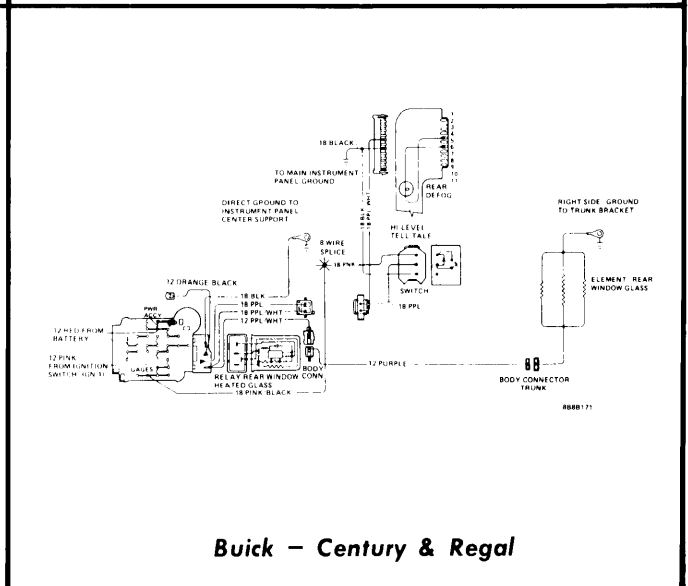
Chevrolet — Impala, Caprice Classic (Malibu, Monte Carlo Similar)



Chevrolet Corvette



Buick — LeSabre, Estate Wagon, Rivera, Electra



Buick — Century & Regal

