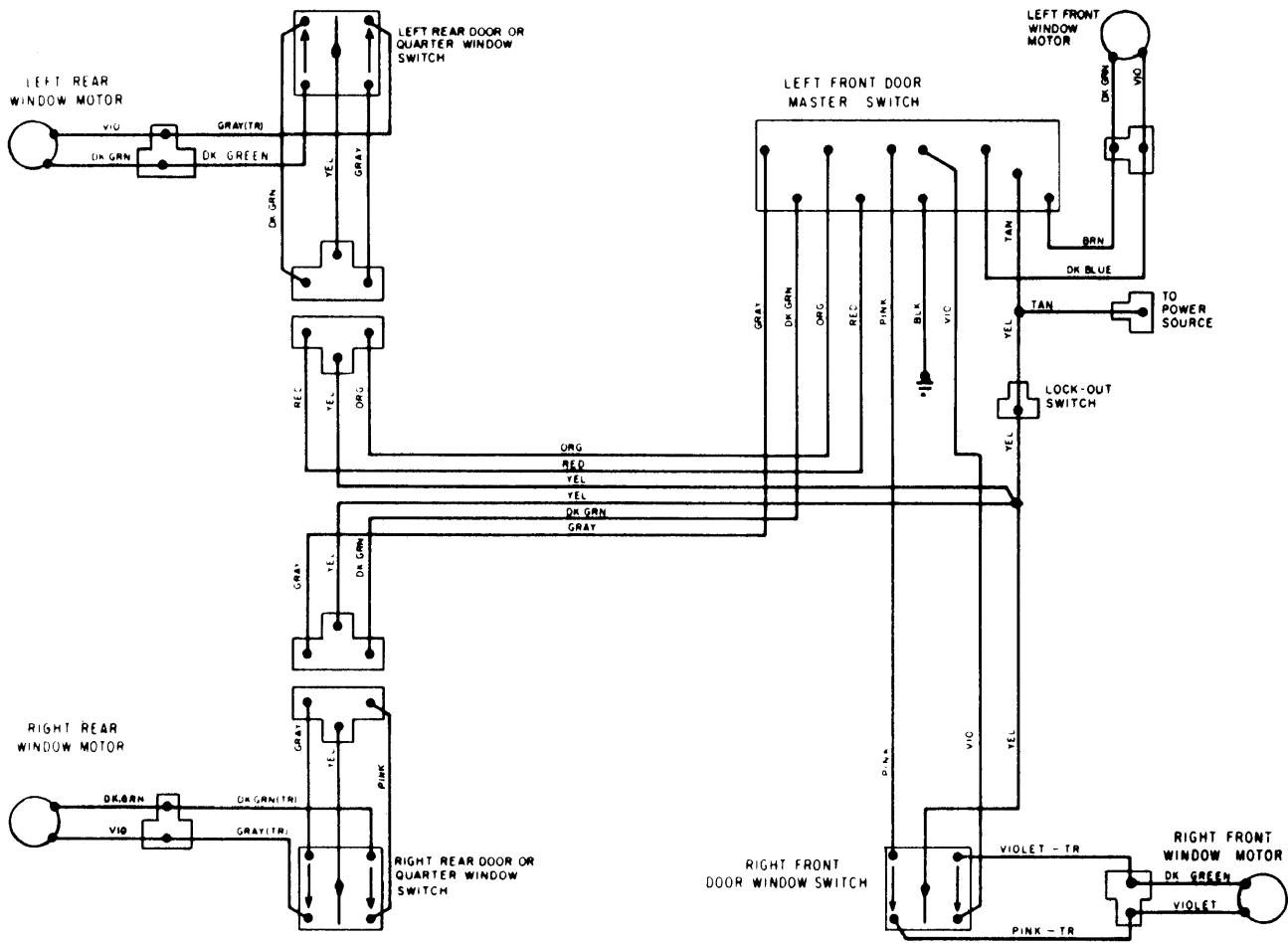
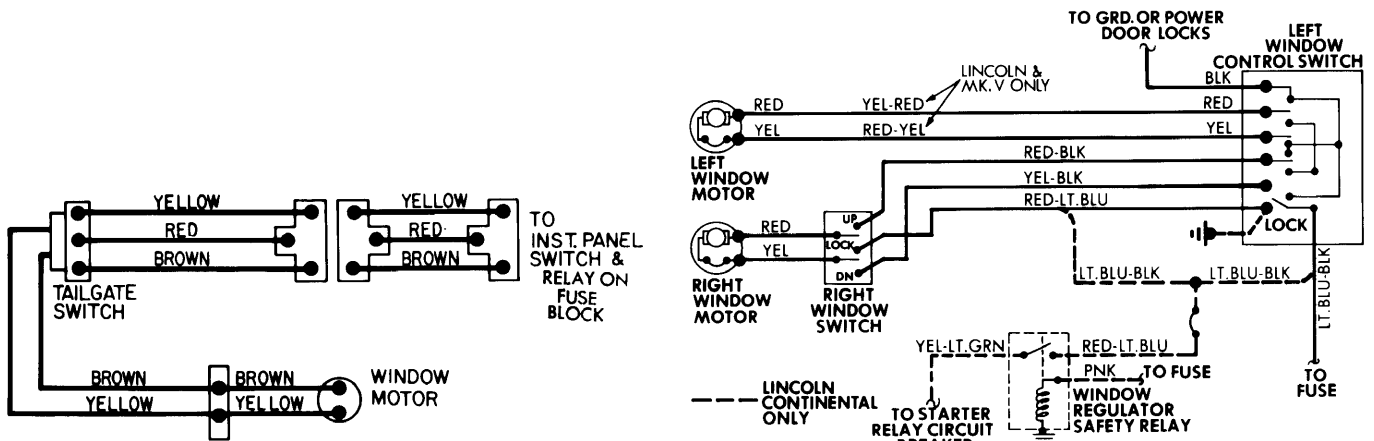


1978 Window Controls — Electric 4-171



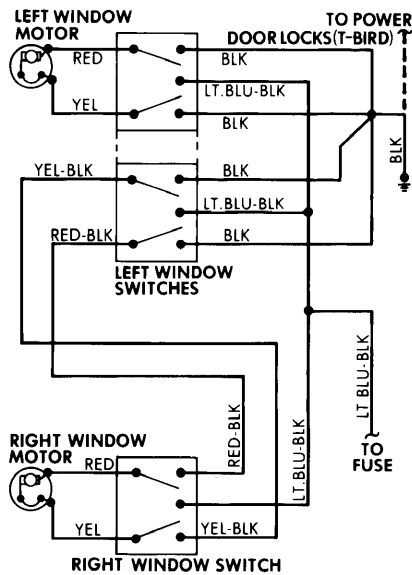
Chrysler Corp. Electric Side Window Control Wiring Diagram



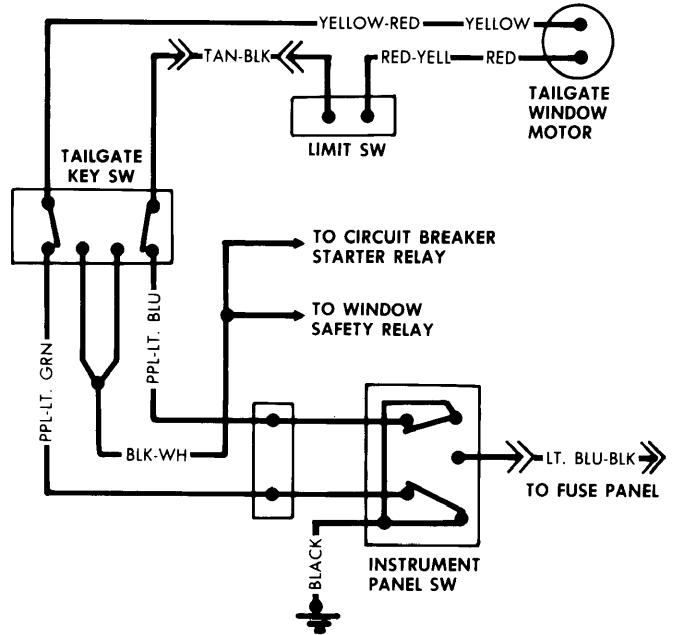
Chrysler Corp. Station Wagon Tailgate Electric Window Control Wiring Diagram

Ford Motor Co. Electric Side Window Control Wiring Diagram for Ford, Mercury, Mark V and Continental 2-Door Models

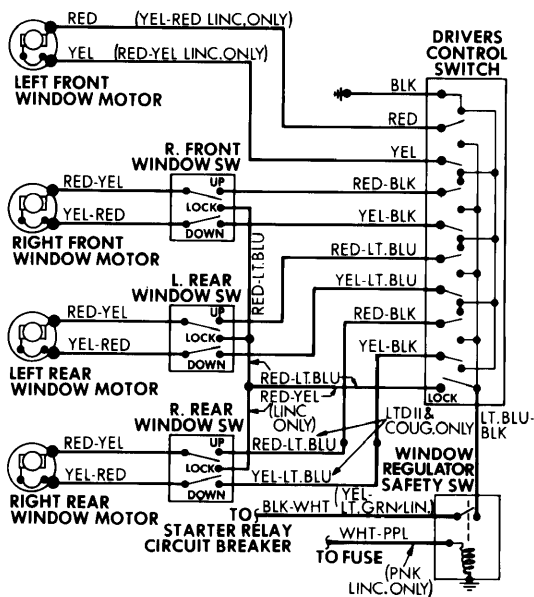
4-172 1978 Window Controls — Electric



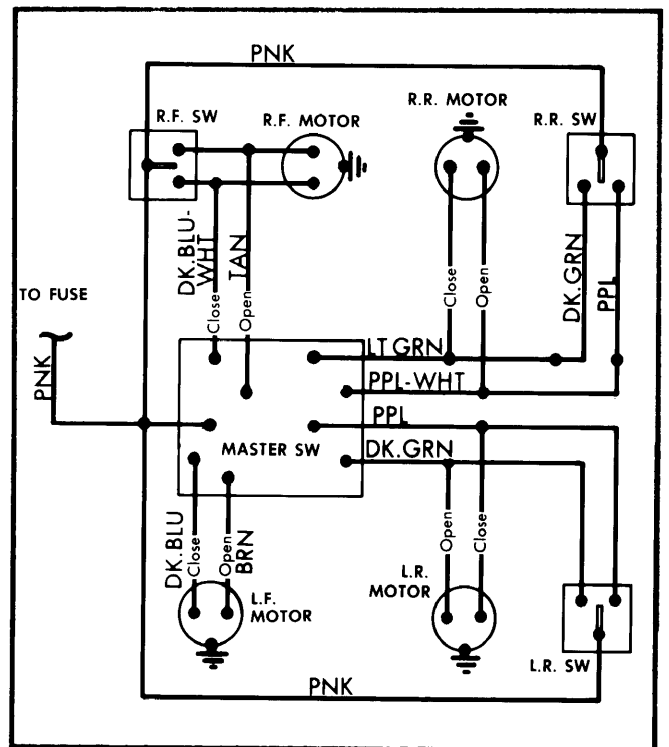
Ford Motor Co. Electric Side Window Control Wiring Diagram for Granada, Monarch, LTD II, Cougar and Thunderbird 2-Door Models



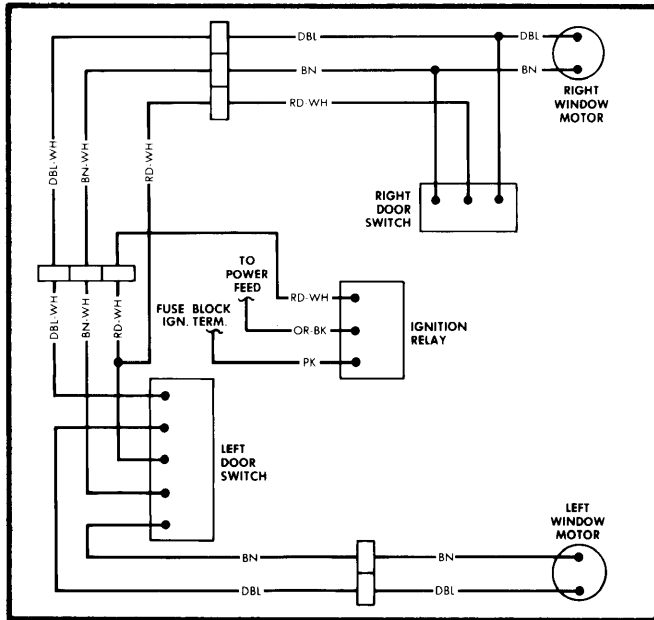
Ford Motor Co. Station Wagon Tailgate Electric Window Control Wiring Diagram



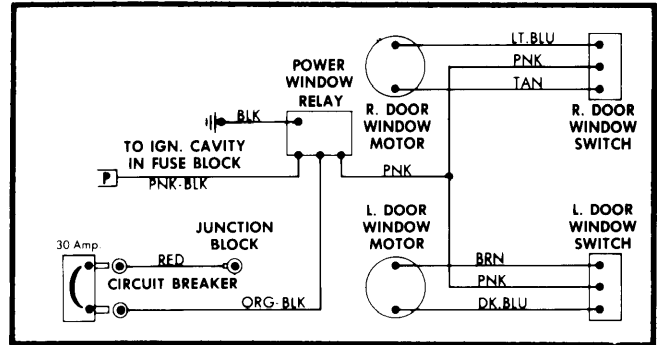
Ford Motor Co. Electric Side Window Control Wiring Diagram for All 4-Door Models



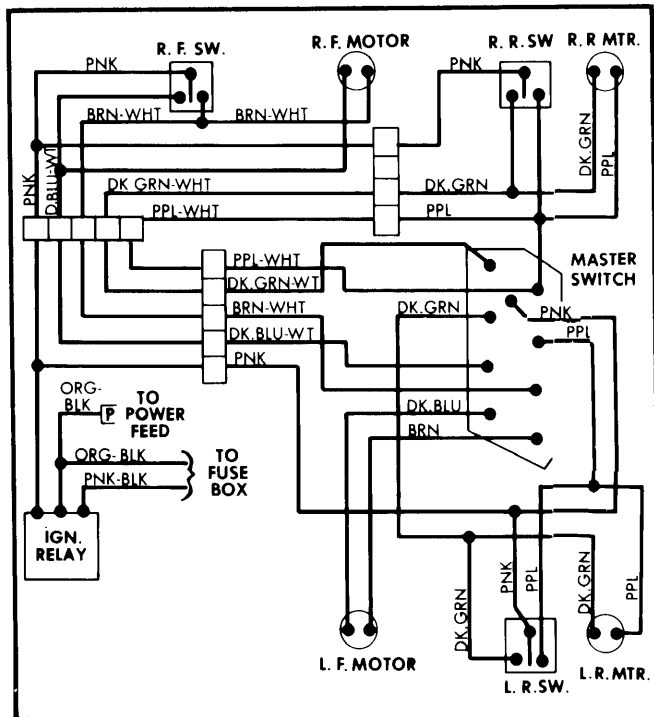
General Motors Electric Side Window Control Wiring Diagram for All "A", "B", "C" & "K" 4-Door Models



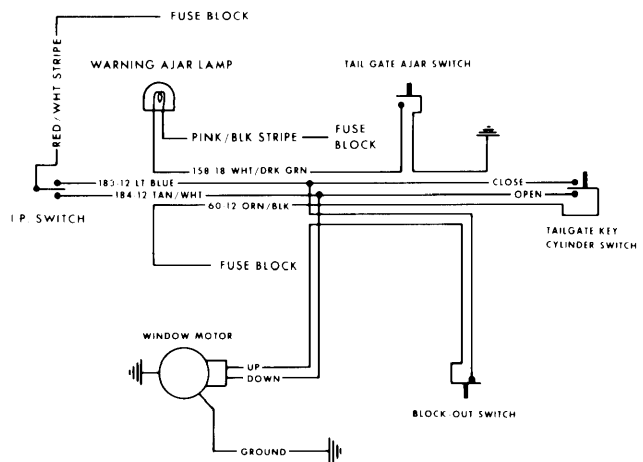
"F" Body Power Window Wiring Diagram
 ("A", "B", "C" and "E" Body 2-Door Models Similar)



Corvette Power Window Wiring Diagram



"X" Body Power Window -Wiring Diagram
 With Ignition Relay (2-Door Models Similar)



General Motors Station Wagon Tailgate Power Window Wiring Diagram