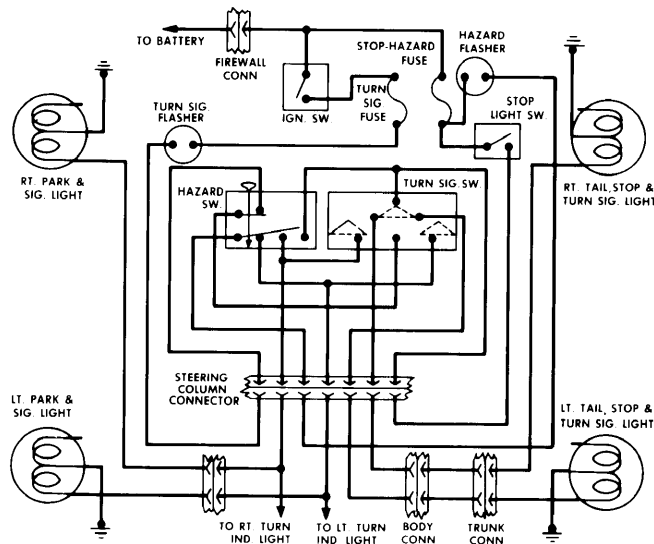
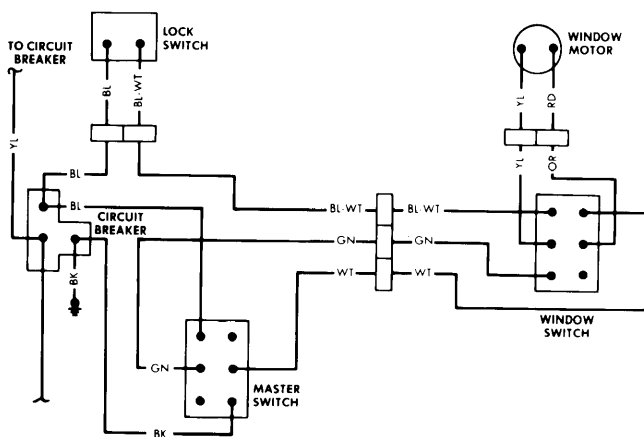


4-170 1978 Turn Signal & Hazard Flashers

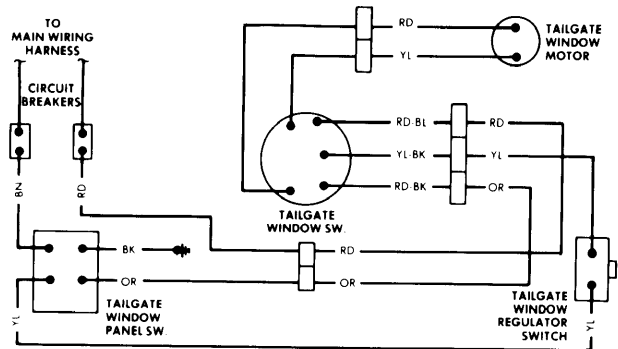


Typical Turn Signal and Hazard Flasher System Wiring Diagram
 Refer to CHASSIS WIRING DIAGRAMS in this section for Individual Car Models

1978 Window Controls — Electric



American Motors Electric Side Window Controls Wiring Diagram



American Motors Station Wagon Tailgate Electric Window Control Wiring Diagram