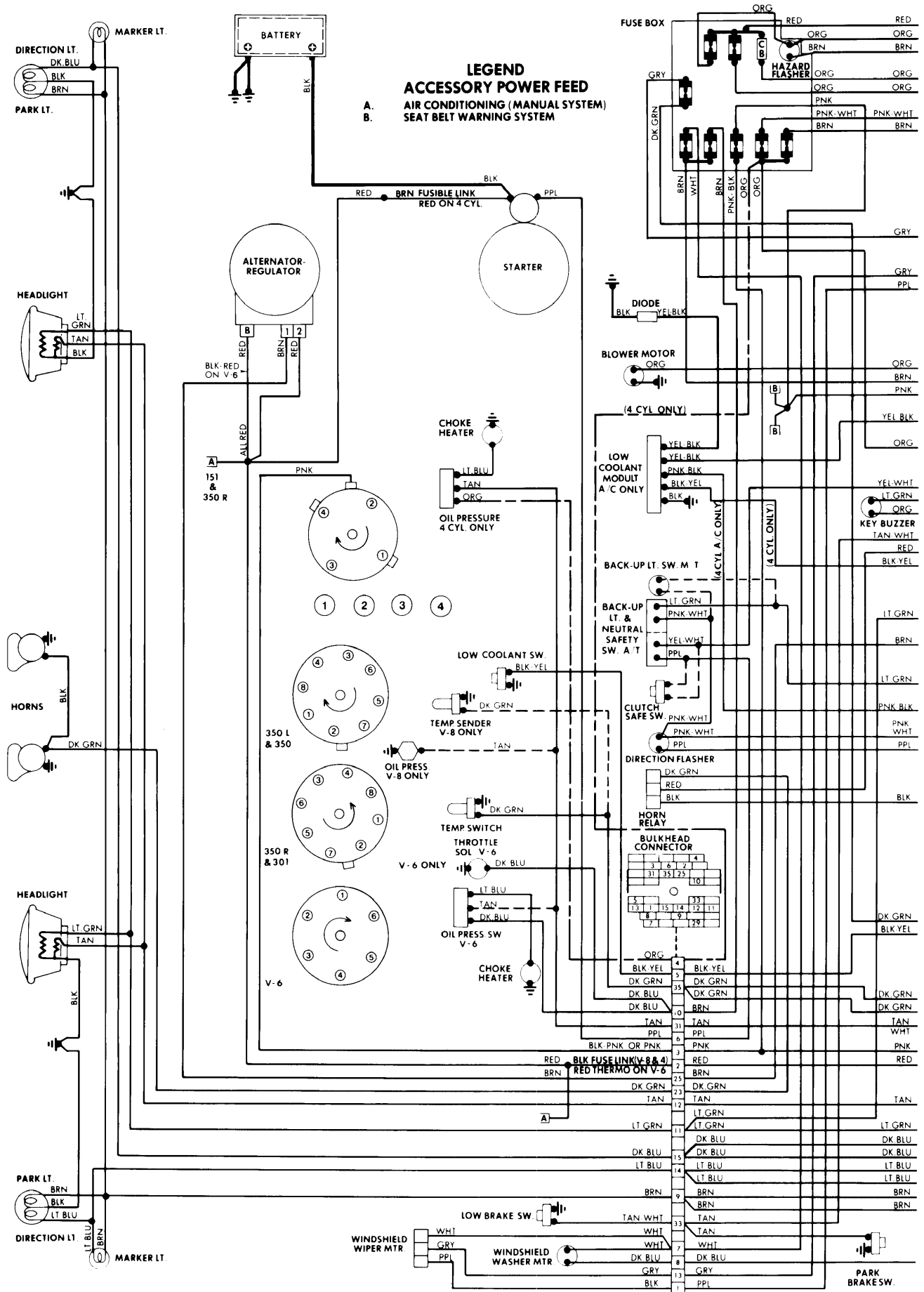
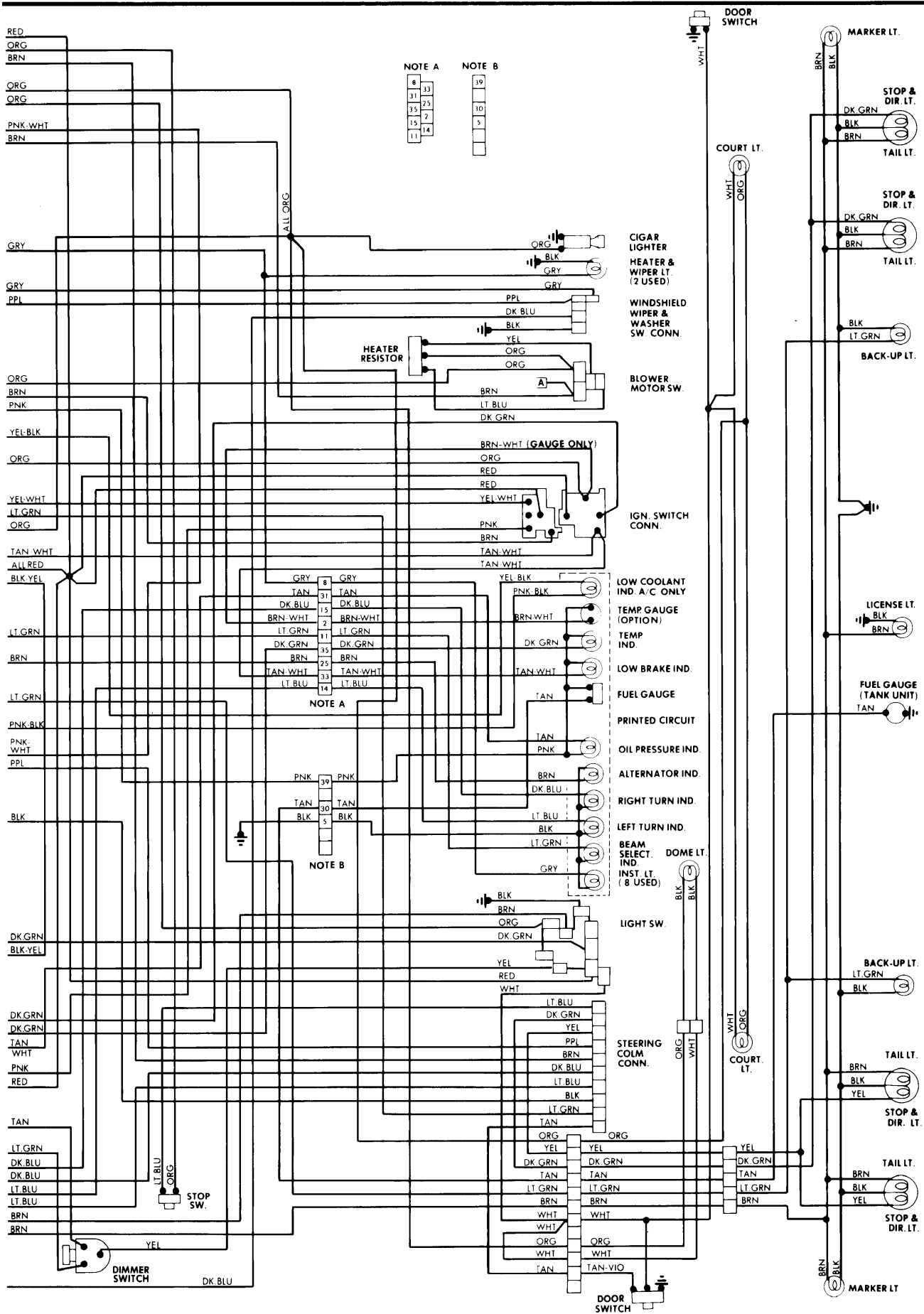


# 1978 Pontiac





For ACCESSORY Details, see End of Section.