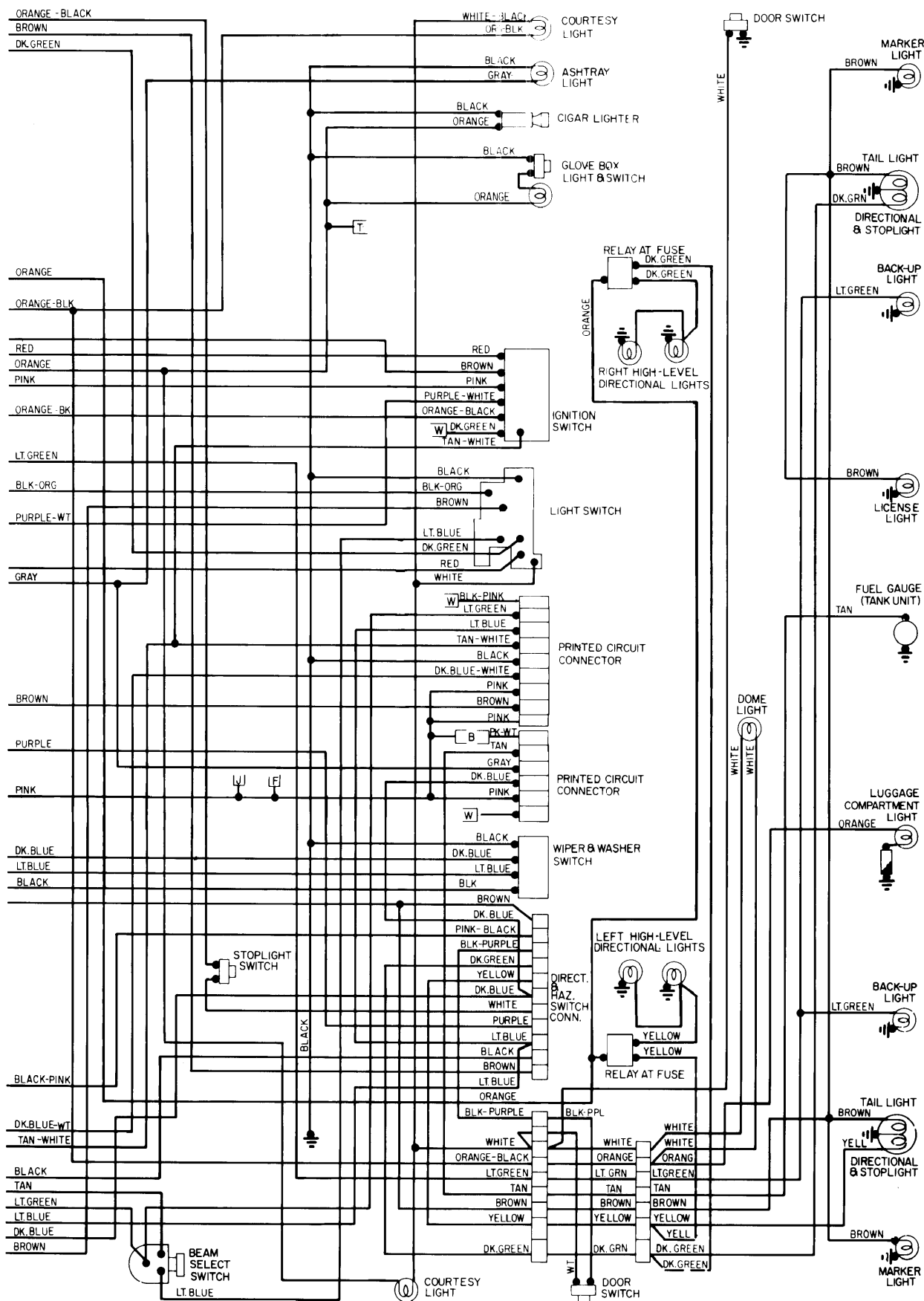


For ACCESSORY Details, see End of Section.



**LEGEND**

**ACCESSORY POWER FEED**

- B. SEAT BELT WARNING SYSTEM
- F. ELECTRIC TRUNK LID LATCH

- J. AUTOMATIC SPEED CONTROL SYSTEM
- K. AUTOMATIC TEMPERATURE CONTROL SYSTEM
- P. POWER WINDOW CONTROL SYSTEM
- Q. POWER SEAT CONTROL SYSTEM

- T. POWER ANTENNA SYSTEM
- W. MISAR IGNITION CONTROL SYSTEM