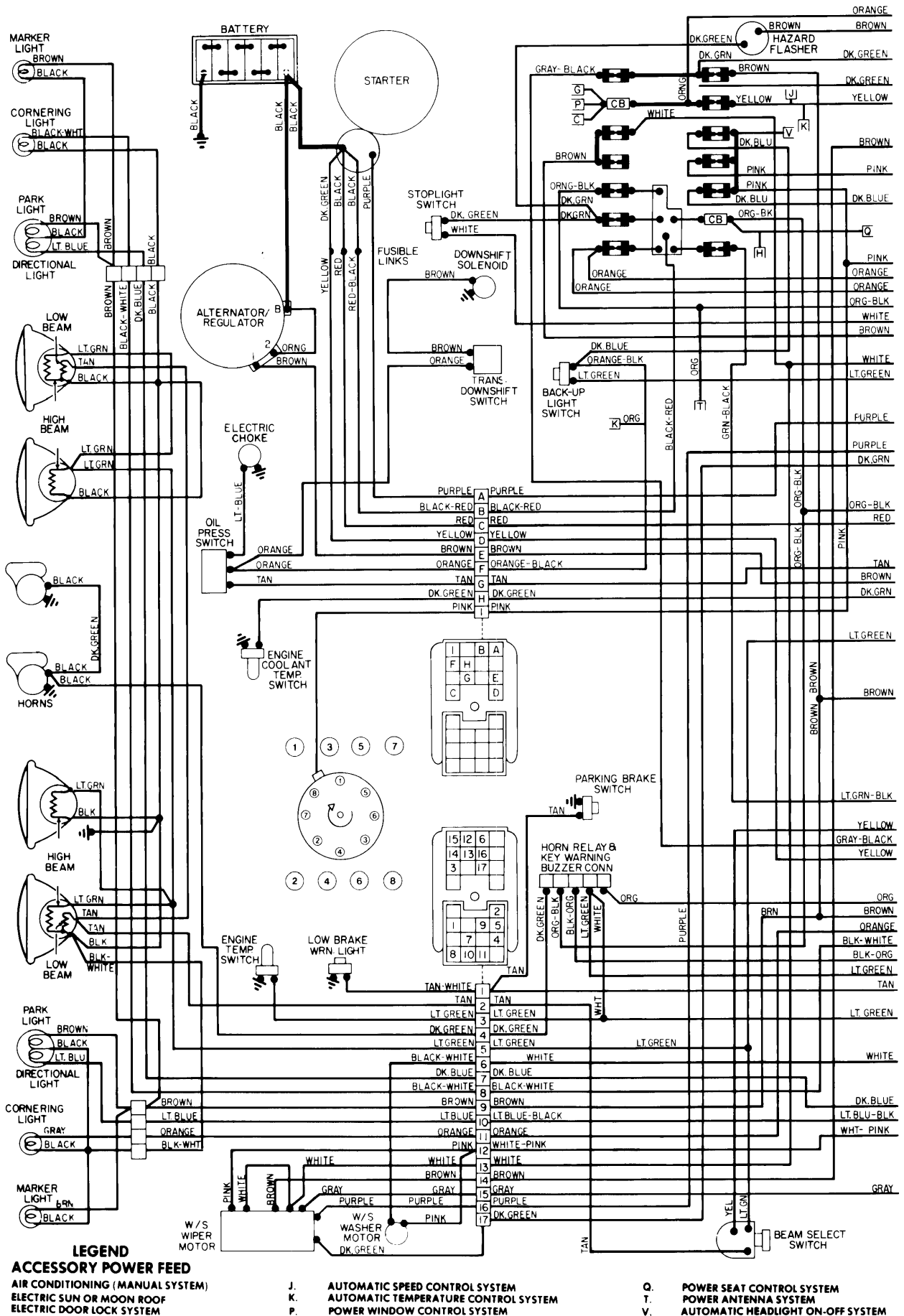
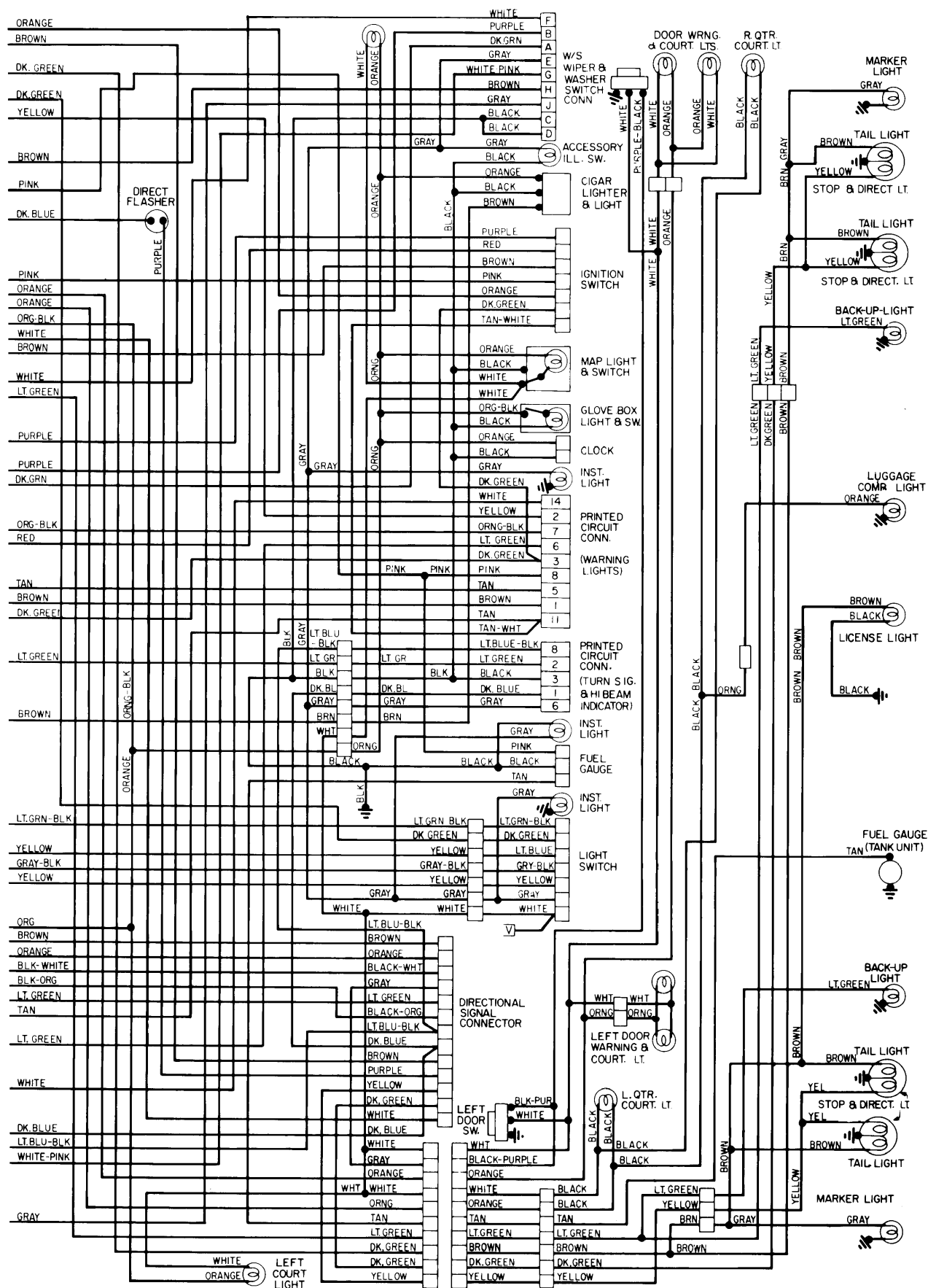


1978 Cadillac





For ACCESSORY Details, see End of Section.