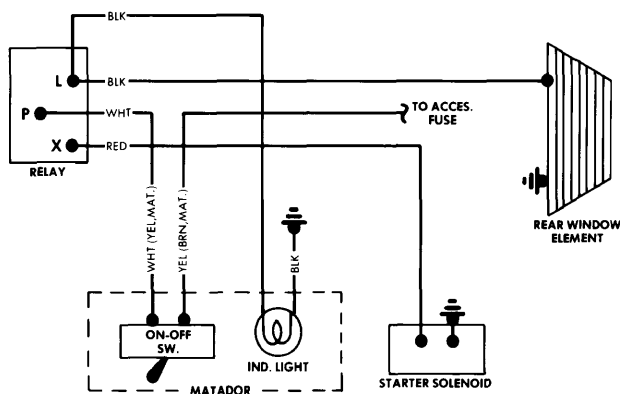
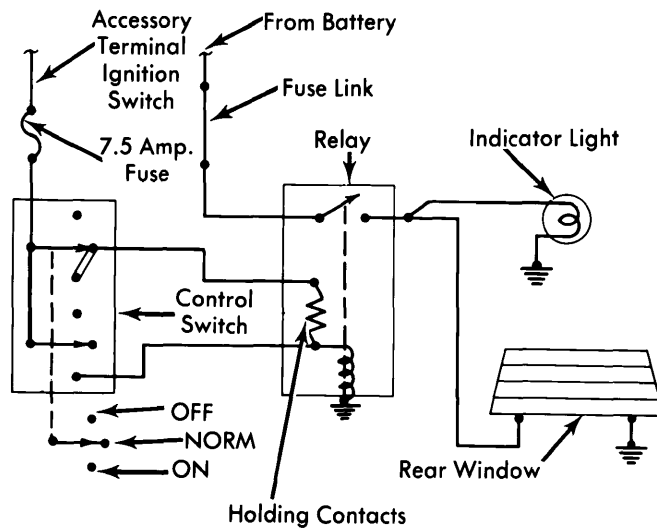


Wiring Diagram of Rear Window Defogger Fan Circuit with Resistor in Control Switch

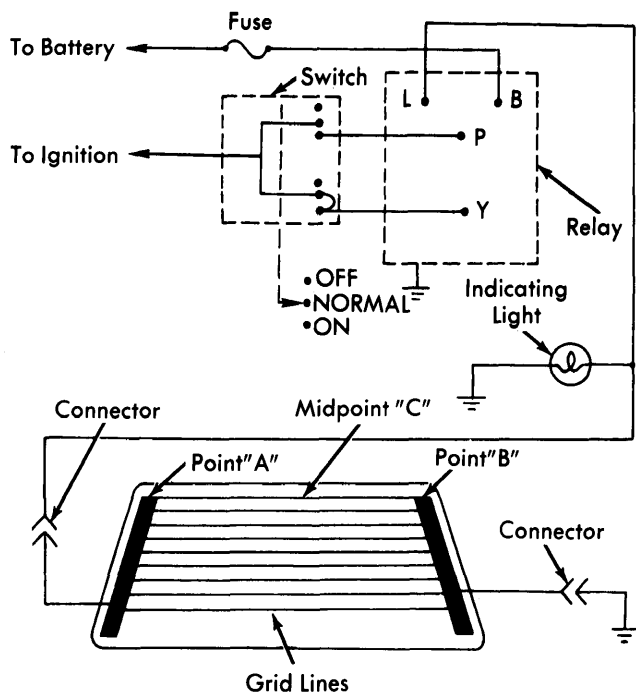
Wiring Diagram of Rear Window Defogger Fan Circuit with Resistor or Resistance Wire in Circuit



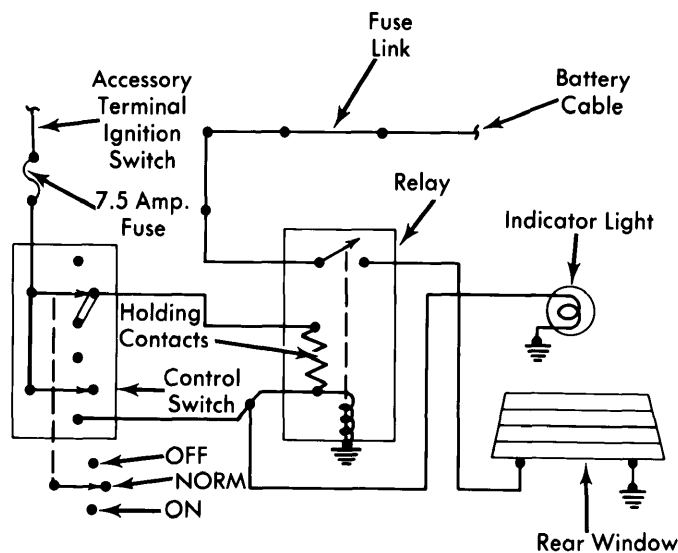
American Motors Rear Window Defogger Grid Wiring Diagram



Ford Motor Co. Rear Window Defogger Grid Wiring Diagram for Ford, Mercury, Cougar, LTD II, Thunderbird, Mark V & Continental

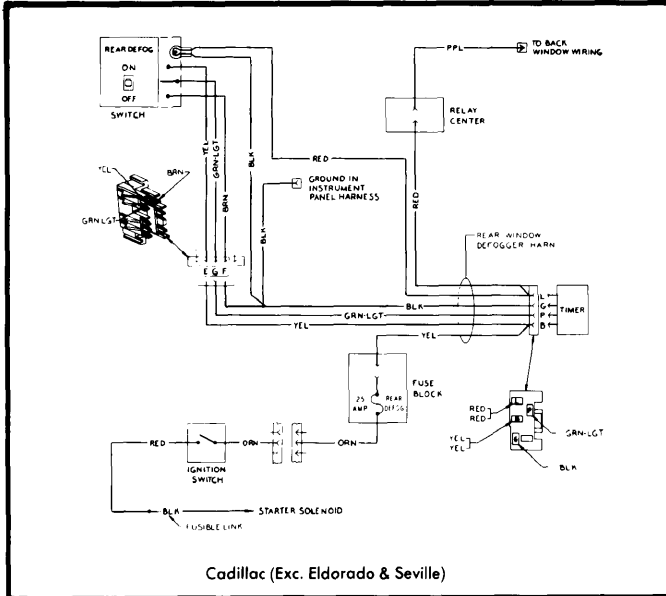


Chrysler Corp. Rear Window Defogger Grid Wiring Diagram

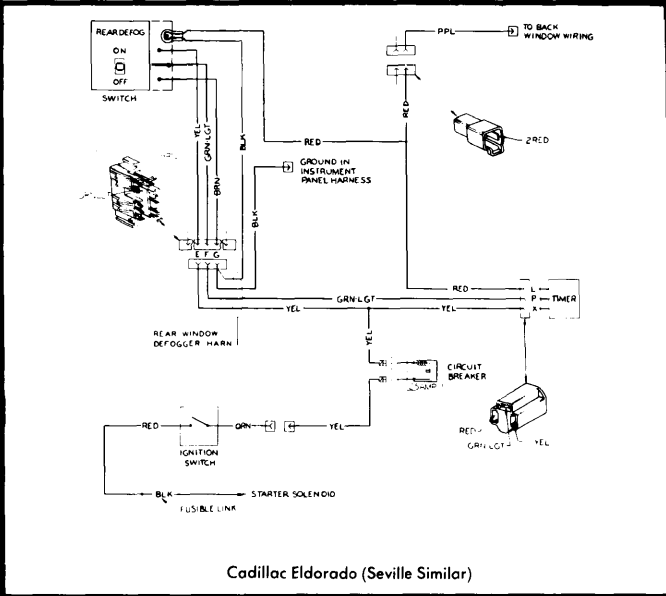


Ford Motor Co. Rear Window Defogger Grid Wiring Diagram for Mustang, Pinto, Bobcat, Granada, Monarch & Versailles

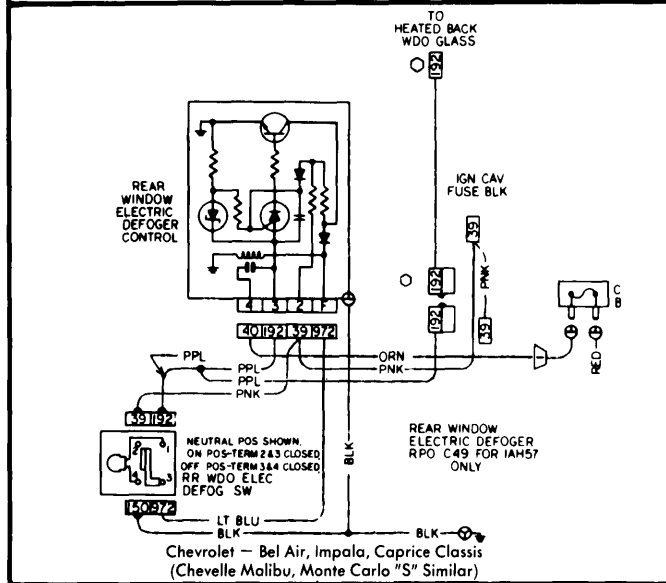
# 1977 Defoggers — Rear Window



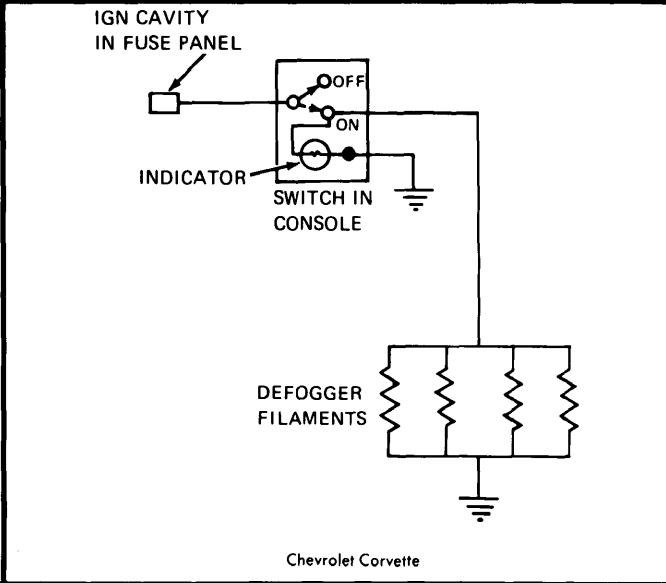
Cadillac (Exc. Eldorado & Seville)



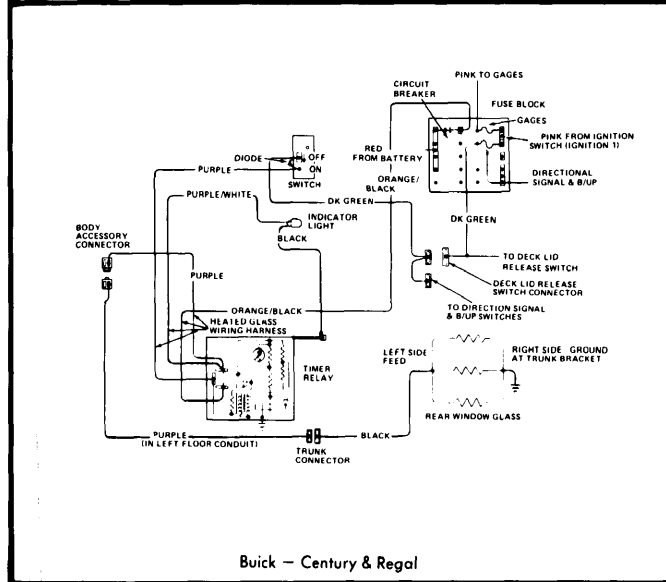
Cadillac Eldorado (Seville Similar)



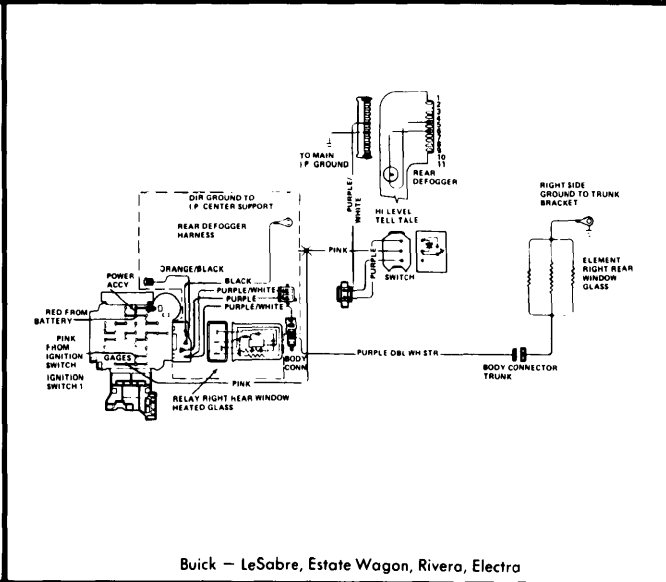
Chevrolet — Bel Air, Impala, Caprice Class (Chevelle Malibu, Monte Carlo "S" Similar)



Chevrolet Corvette

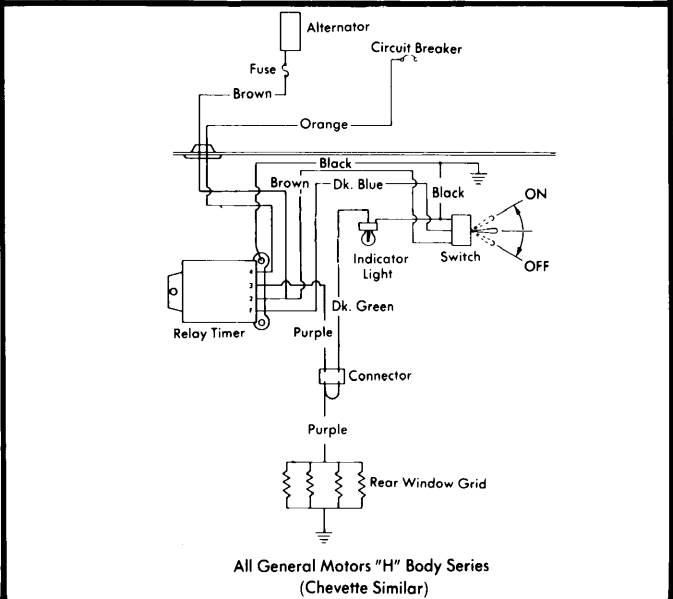
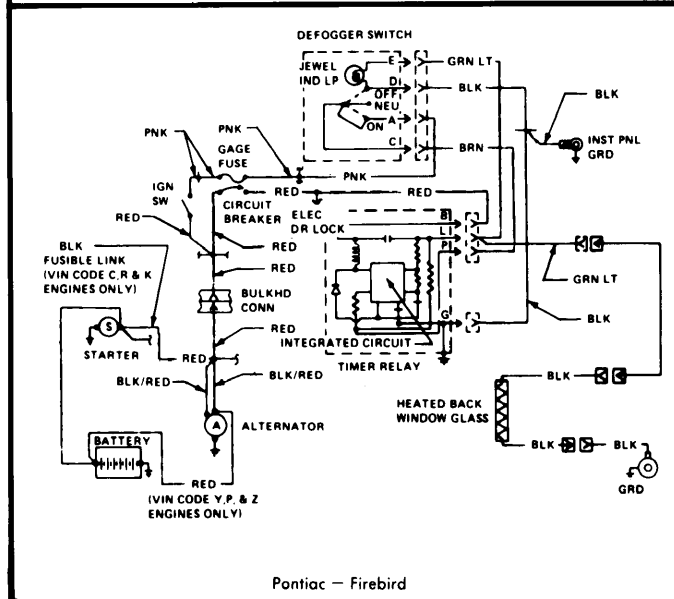
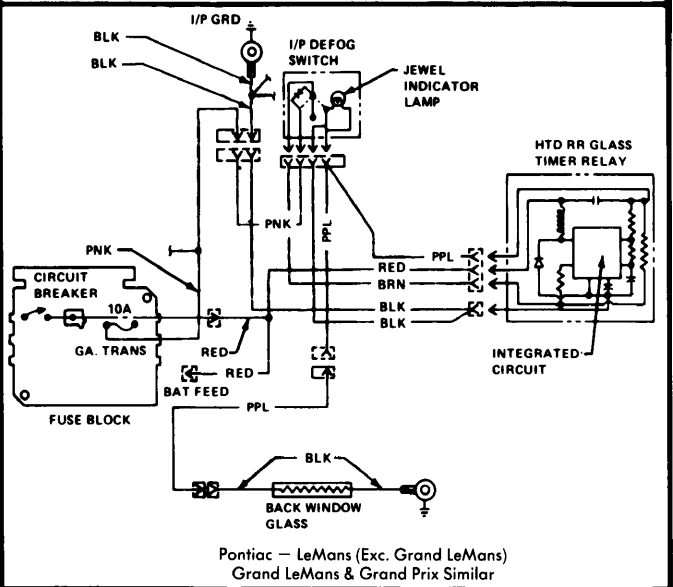
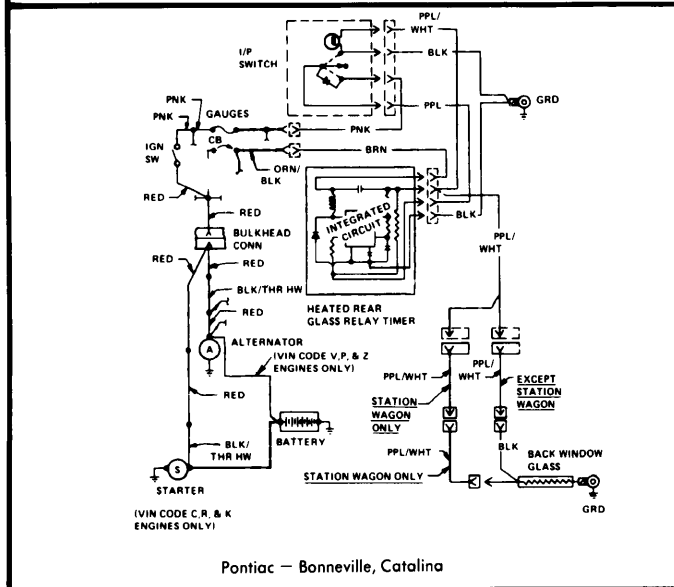
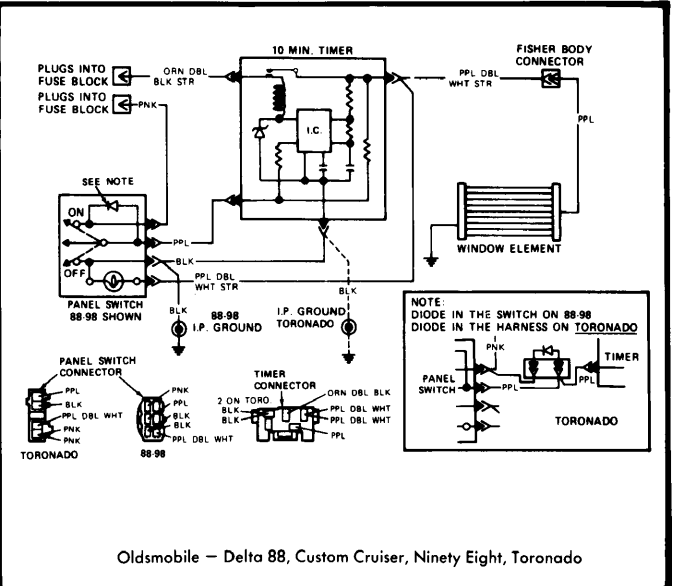
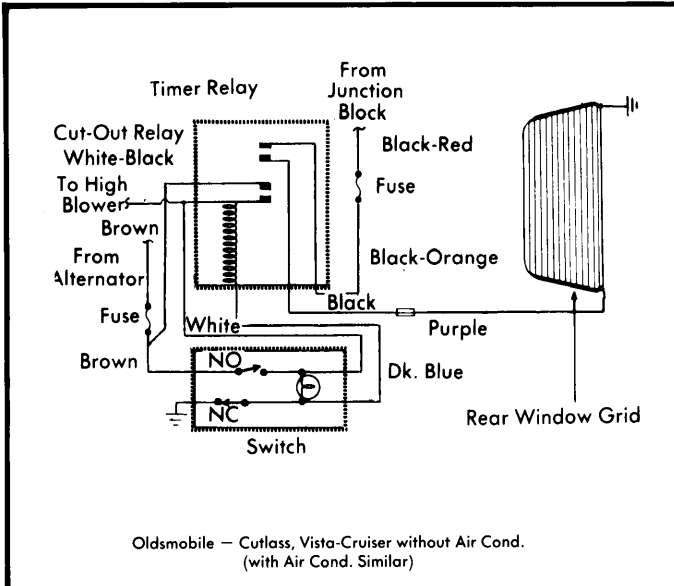


Buick — Century & Regal



Buick — LeSabre, Estate Wagon, Rivera, Electra

## General Motors Rear Window Defogger Grid Wiring Diagrams



## General Motors Rear Window Defogger Grid Wiring Diagrams