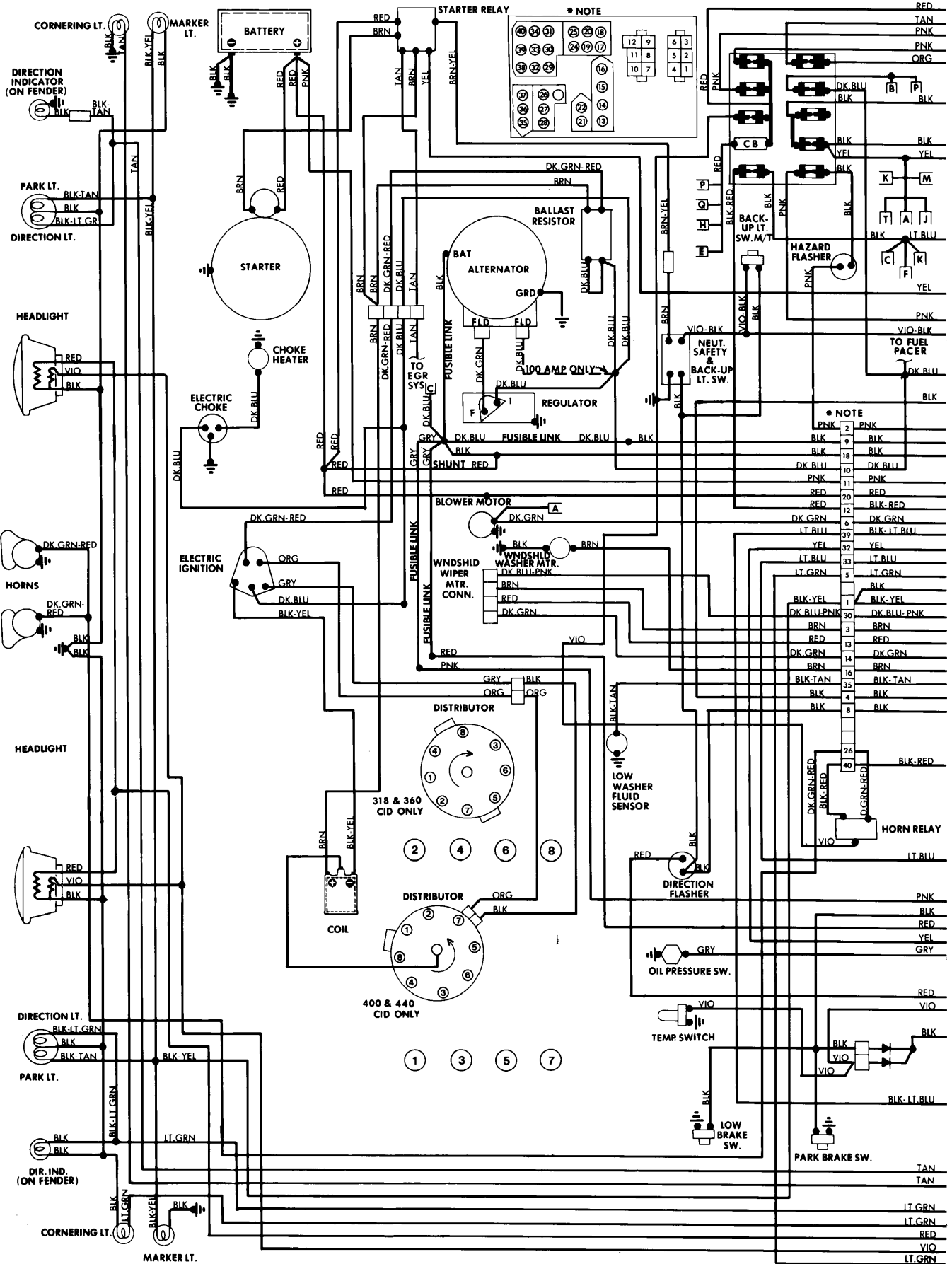


# 1977 Plymouth



- LEGEND**  
**ACCESSORY POWER FEED**
- |                                     |                              |   |                                |
|-------------------------------------|------------------------------|---|--------------------------------|
| A. AIR CONDITIONING (MANUAL SYSTEM) | E. ELECTRIC TAILGATE LATCH   | J. AUTOMATIC SPEED CONTROL SYSTEM       | P. POWER WINDOW CONTROL SYSTEM |
| B. SEAT BELT WARNING SYSTEM         | F. ELECTRIC TRUNK LID LATCH  | K. AUTOMATIC TEMPERATURE CONTROL SYSTEM | Q. POWER SEAT CONTROL SYSTEM   |
| C. REAR WINDOW DEFROSTER (GRID)     | H. ELECTRIC DOOR LOCK SYSTEM | M. REAR WINDOW DEFOGGER (BLOWER)        | R. ELECTRIC SEAT BACK LATCH    |
|                                     |                              |   | T. POWER ANTENNA SYSTEM        |

