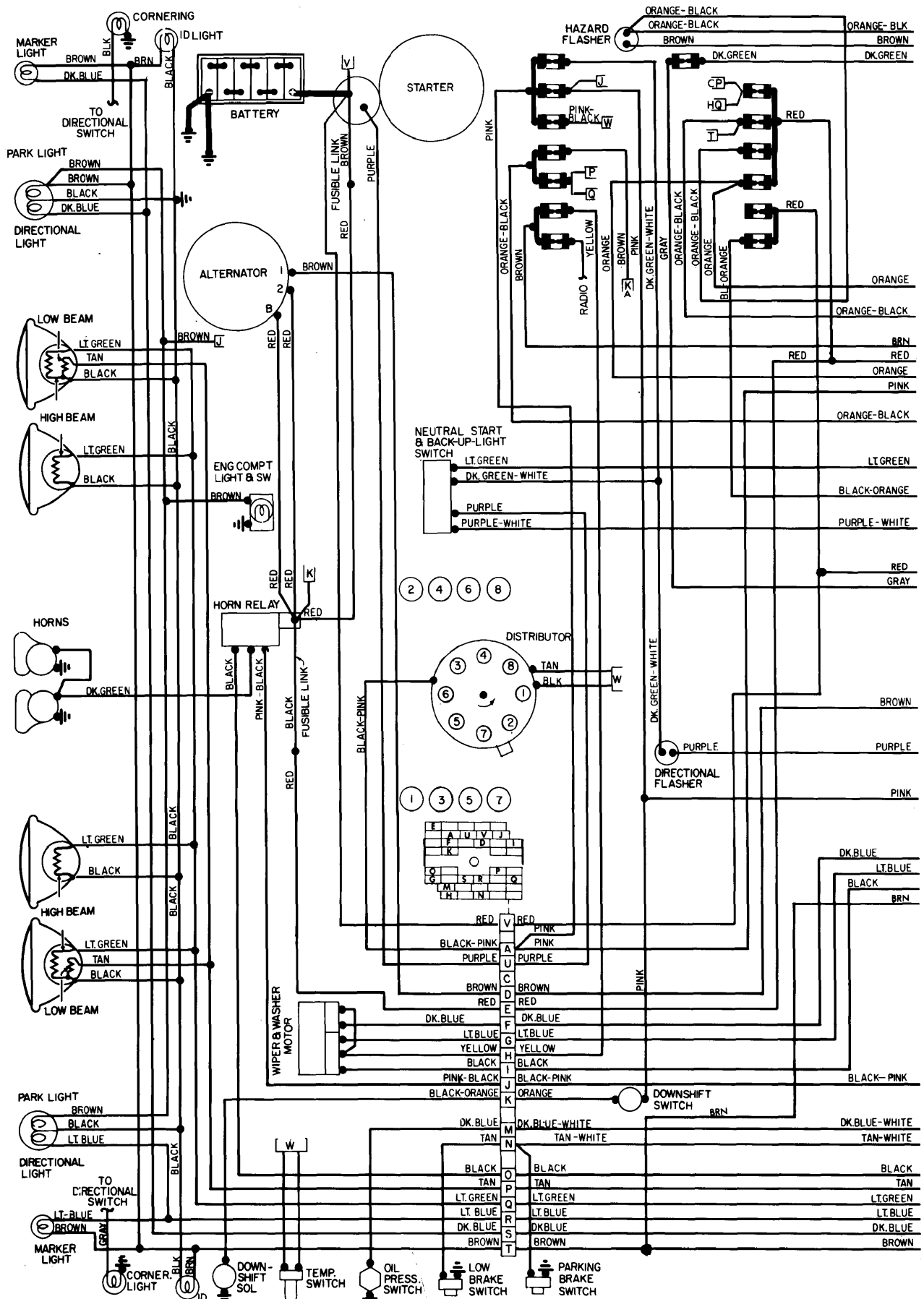
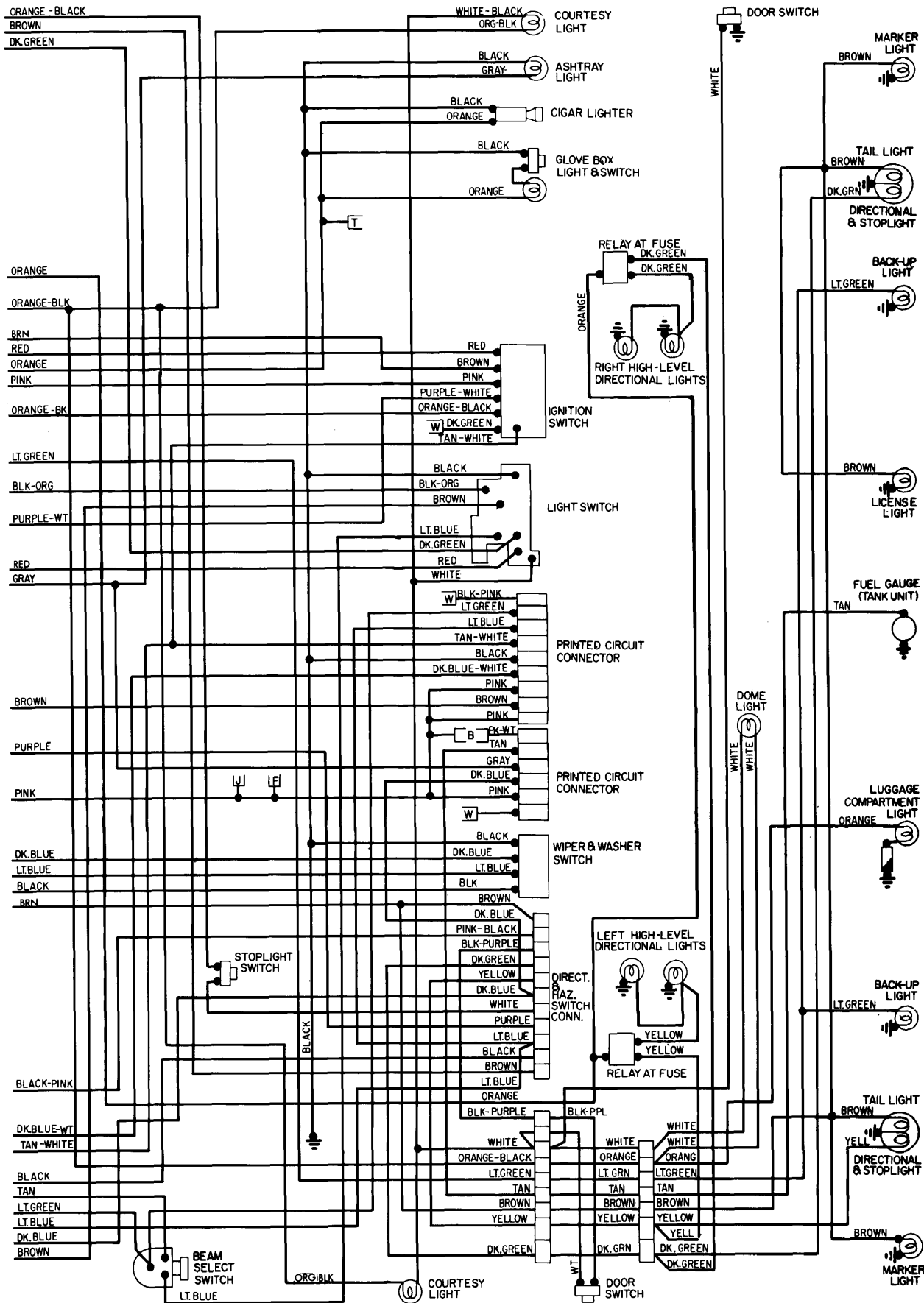


1977 Oldsmobile



- LEGEND**
- A ACCESSORY POWER FEED
 - B AIR CONDITIONING (MANUAL SYSTEM)
 - C SEAT BELT WARNING SYSTEM
 - C REAR WINDOW DEFROSTER (GRID)
 - F ELECTRIC TRUNK LID LATCH
 - H ELECTRIC DOOR LOCK SYSTEM
 - J AUTOMATIC SPEED CONTROL SYSTEM
 - K AUTOMATIC TEMPERATURE CONTROL SYSTEM
 - P POWER WINDOW CONTROL SYSTEM
 - Q POWER SEAT CONTROL SYSTEM
 - T POWER ANTENNA SYSTEM
 - V AUTOMATIC HEADLIGHT ON/OFF SYSTEM
 - W MISAR IGNITION CONTROL SYSTEM



LEGEND
ACCESSORY POWER FEED

- | | | | |
|-------------------------------------|-------------------------------------|---|--------------------------------------|
| A. AIR CONDITIONING (MANUAL SYSTEM) | D. WIPER WASHER SYSTEM (WINDSHIELD) | J. AUTOMATIC SPEED CONTROL SYSTEM | S. WIPER WASHER SYSTEM (REAR WINDOW) |
| B. SEAT BELT WARNING SYSTEM | E. ELECTRIC TAILGATE LATCH | K. AUTOMATIC TEMPERATURE CONTROL SYSTEM | T. POWER ANTENNA SYSTEM |
| C. REAR WINDOW DEFROSTER (GRID) | F. ELECTRIC TRUNK LID LATCH | P. POWER WINDOW CONTROL SYSTEM | W. MISAR IGNITION CONTROL SYSTEM |