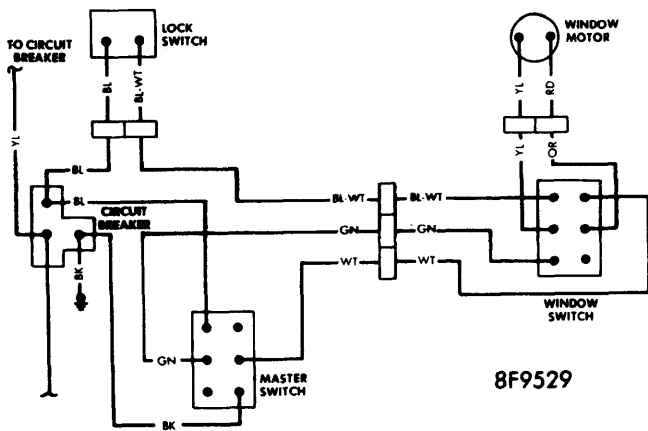


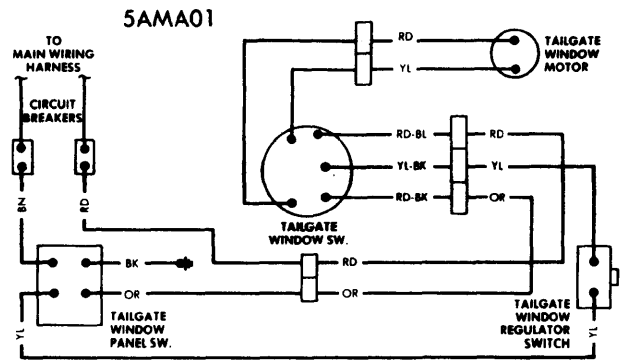
1976 Electric Window Controls

7-147



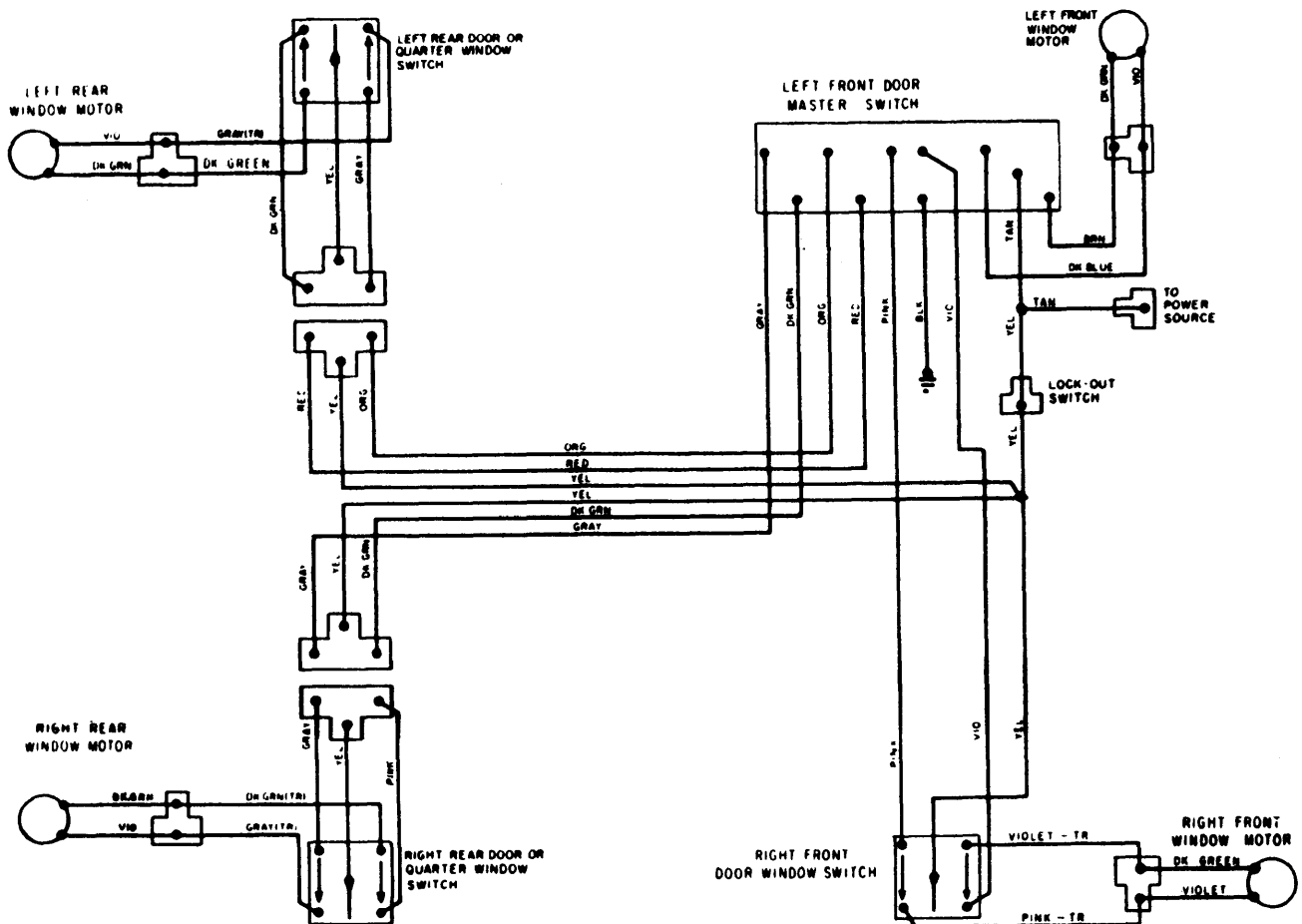
8F9529

AMERICAN MOTORS POWER WINDOW WIRING



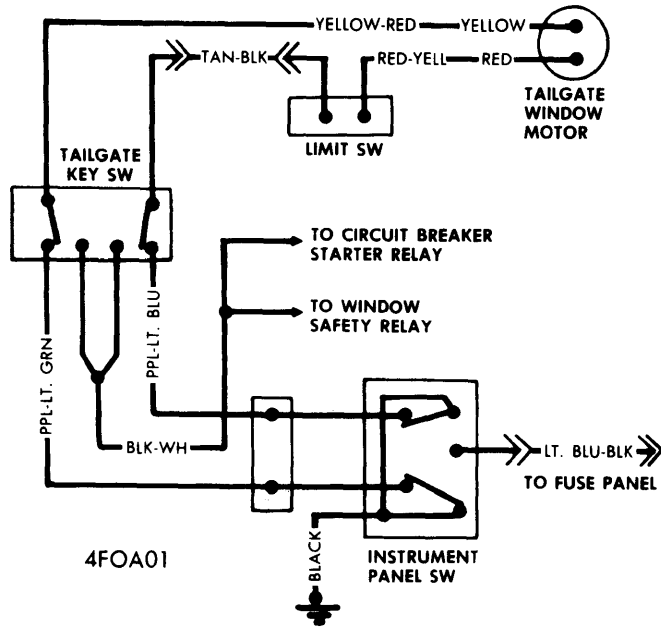
5AMA01

AMERICAN MOTORS TAILGATE WINDOW WIRING



4CRA02

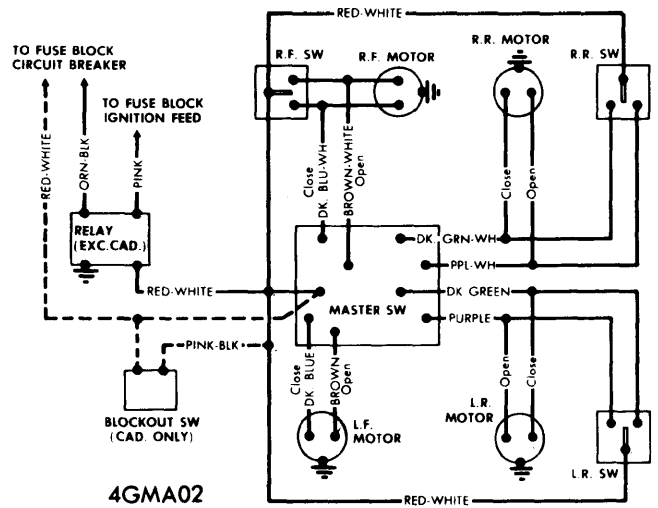
CHRYSLER POWER WINDOW WIRING



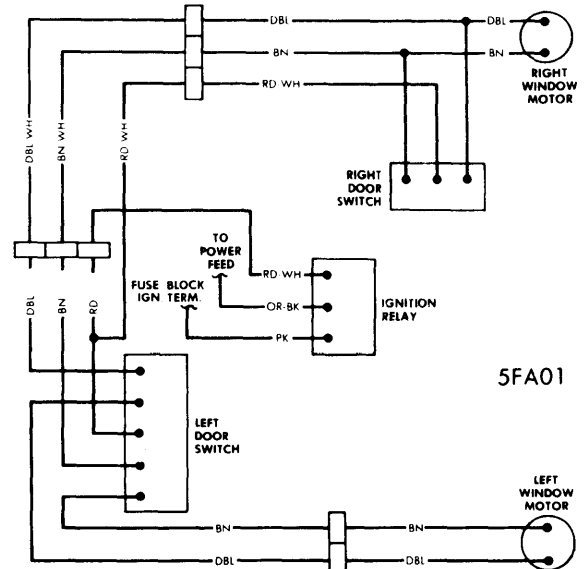
FORD MOTOR CO.
POWER TAILGATE WINDOW WIRING

NOTE — On General Motors cars, body wiring differs in accordance with body type ("A", "B", etc.). Refer to table to identify wiring diagrams for any particular model.

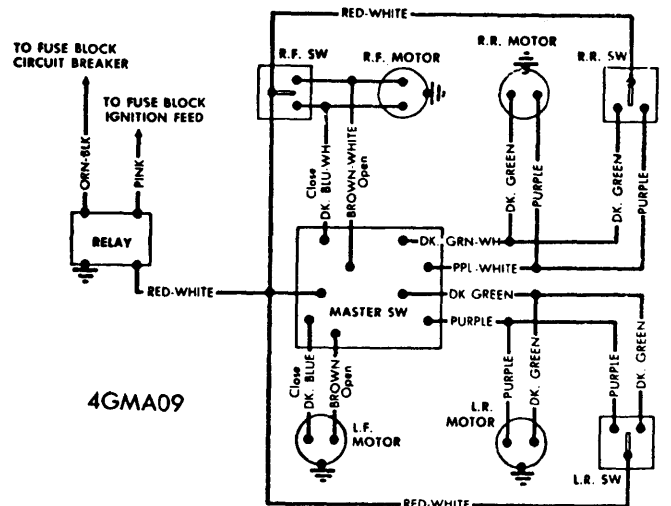
GM Division	Body Type	Car Name
Buick	A	Century, Regal
Chevrolet	A	Chevelle, Monte Carlo
Oldsmobile	A	Cutlass
Pontiac	A	Grand Am, Grand Prix
	A	LeMans
Buick	B	Estate Wagon, LeSabre
Chevrolet	B	Biscayne, Bel Air
		Impala, Caprice
Oldsmobile	B	Delta
Pontiac	B	Catalina, Bonneville
	B	Grand Ville
Buick	C	Electra, Limited
Cadillac	C	Fleetwood, Calais
	C	DeVille
Oldsmobile	C	Ninety Eight
Buick	E	Riviera
Cadillac	E	Eldorado
Oldsmobile	E	Toronado
Chevrolet	F	Camaro
Pontiac	F	Firebird
Cadillac	K	Seville
Buick	X	Apollo
Chevrolet	X	Nova
Oldsmobile	X	Omega
Pontiac	X	Ventura



"B", "C", "E" & "K" BODY (EXC. TWO-WINDOW TYPE)
POWER WINDOW WIRING DIAGRAM

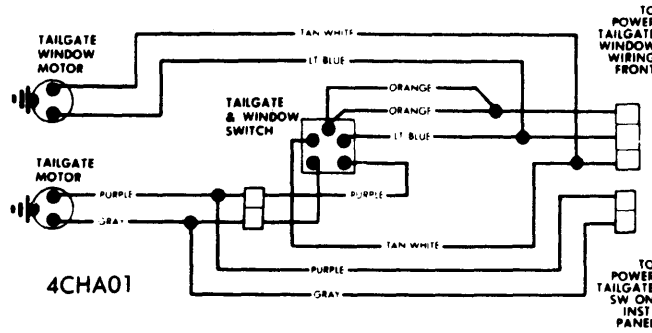


"F" BODY POWER WINDOW WIRING DIAGRAM
("B", "C" & "E" BODY TWO-WINDOW TYPE SIMILAR)



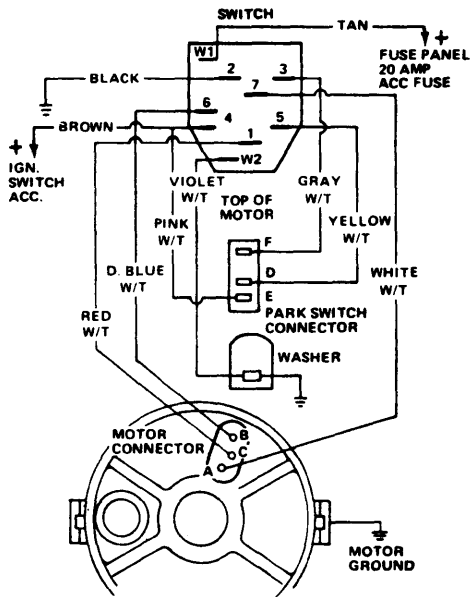
"A" & "X" BODY POWER WINDOW WIRING DIAGRAM

1976 Electric Window Controls



GENERAL MOTORS POWER TAILGATE WINDOW WIRING

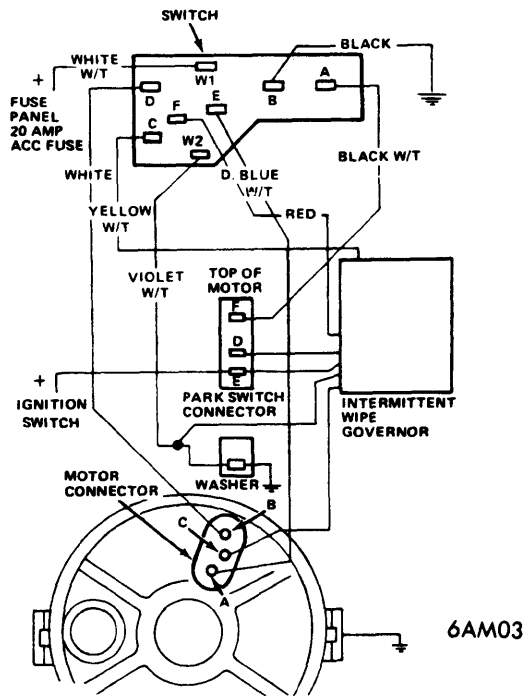
1976 Electric Windshield Wipers



LOW SPEED	C TO + A TO GROUND
HIGH SPEED	C TO + B TO GROUND

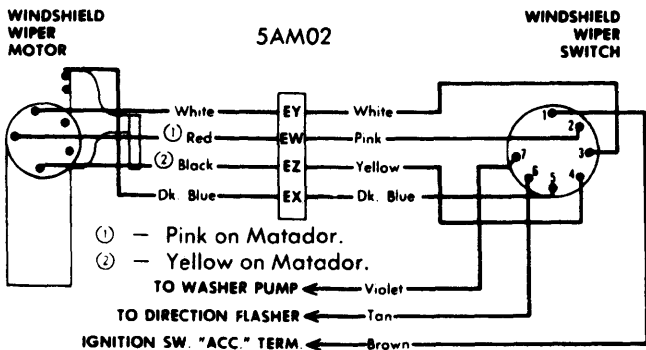
6AM02

AMERICAN MOTORS STANDARD WIPER WIRING (CONCEALED WIPERS)



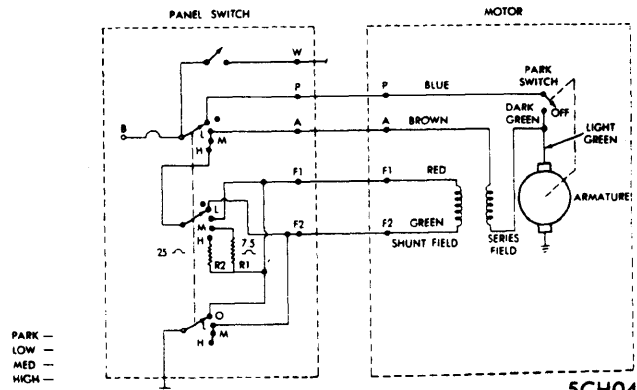
6AM03

AMERICAN MOTORS INTERMITTENT WIPER WIRING (CONCEALED WIPERS)



- ① - Pink on Matador.
- ② - Yellow on Matador.
- TO WASHER PUMP ← Violet
- TO DIRECTION FLASHER ← Tan
- IGNITION SW. "ACC." TERM. ← Brown

AMERICAN MOTORS WIPER WIRING DIAGRAM (NON-CONCEALED WIPERS)



5CH04

CHRYSLER CORP. 3-SPEED MOTOR WIRING