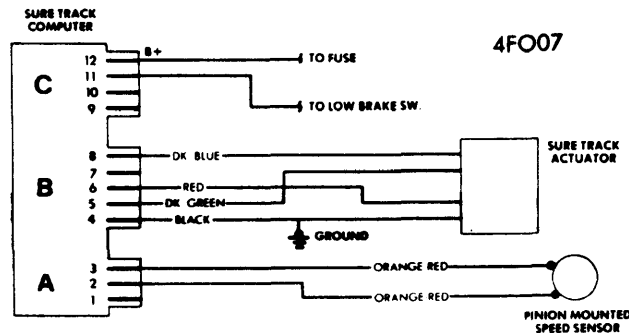


4CA03

GENERAL MOTORS SKID CONTROL WIRING



4FO07

FORD MOTOR CO. SURE TRACK WIRING