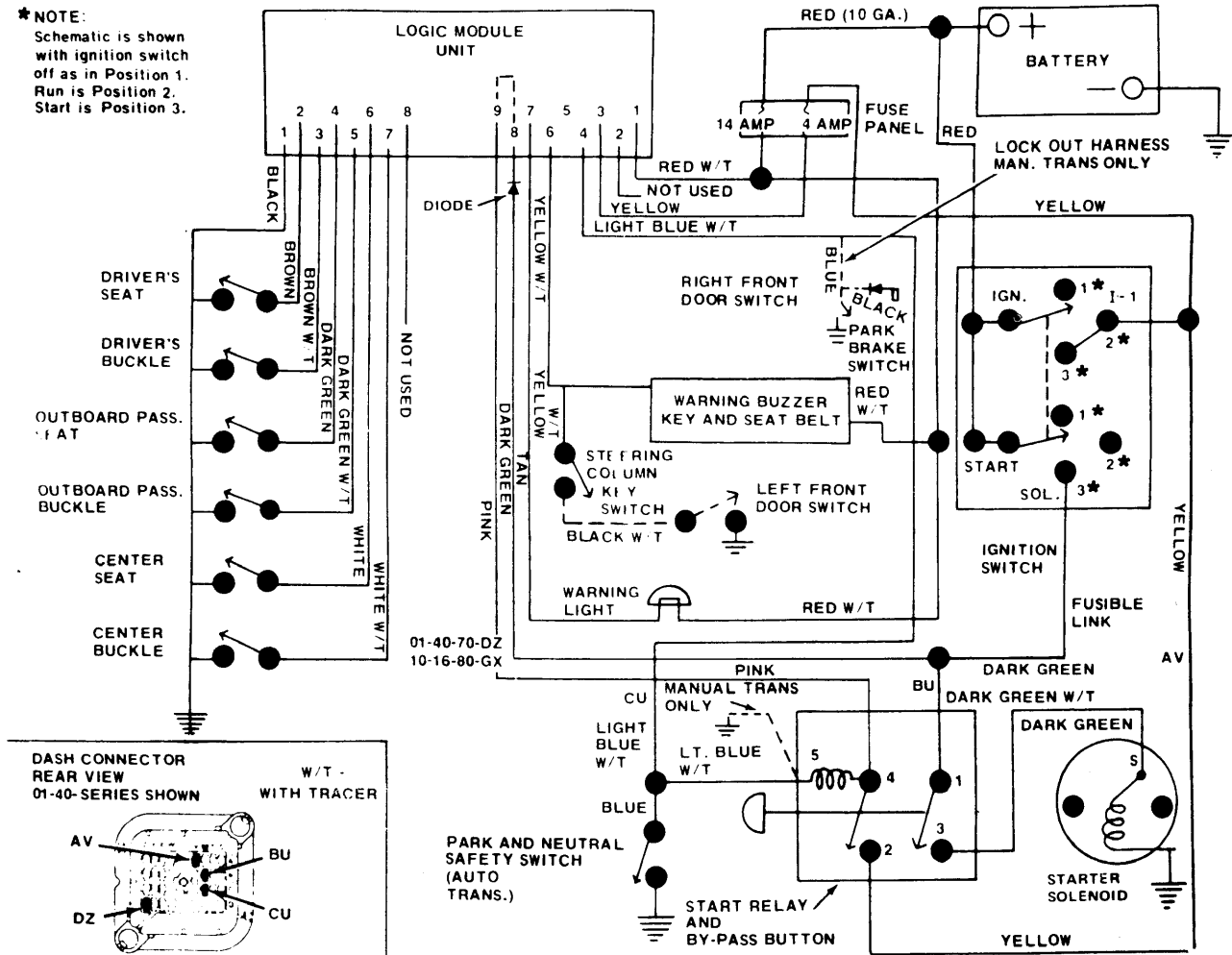


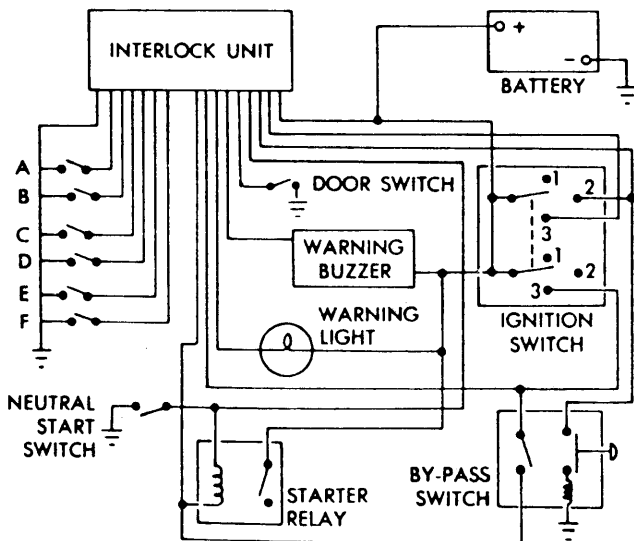
1975 Seat Belt Starter Interlock

***NOTE:**
Schematic is shown with ignition switch off as in Position 1. Run is Position 2. Start is Position 3.



5AM01

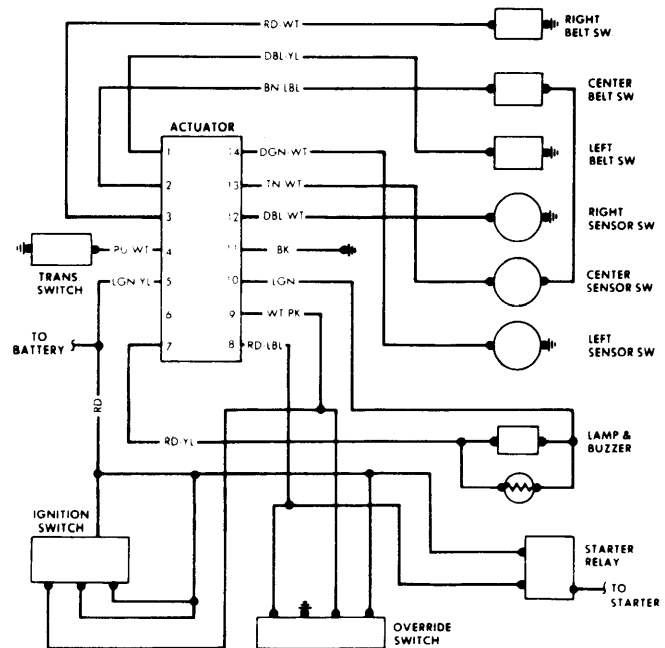
AMERICAN MOTORS SEAT BELT-STARTER INTERLOCK WIRING DIAGRAM



NOTE:
SCHEMATIC IS SHOWN WITH IGNITION SWITCH OFF AS IN POSITION 1. RUN IS POSITION 2. START IS POSITION 3.

4CR01

CHRYSLER CORP. SEAT BELT



5FO01