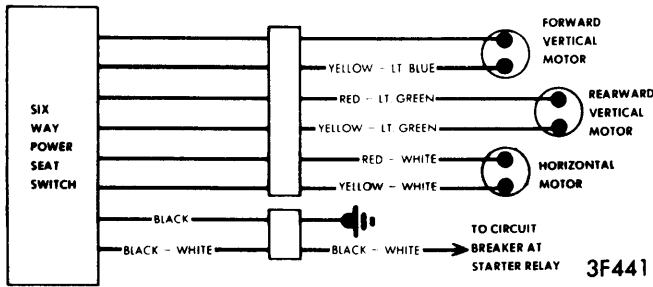
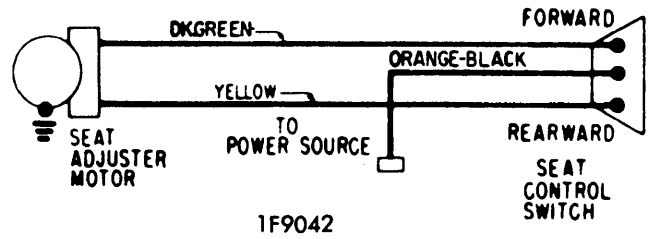


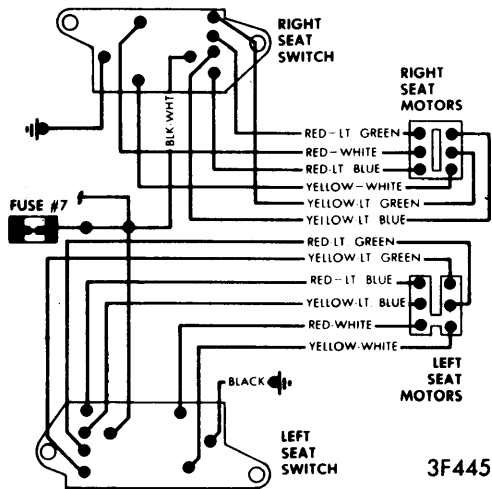
# 1975 Power Seat Controls



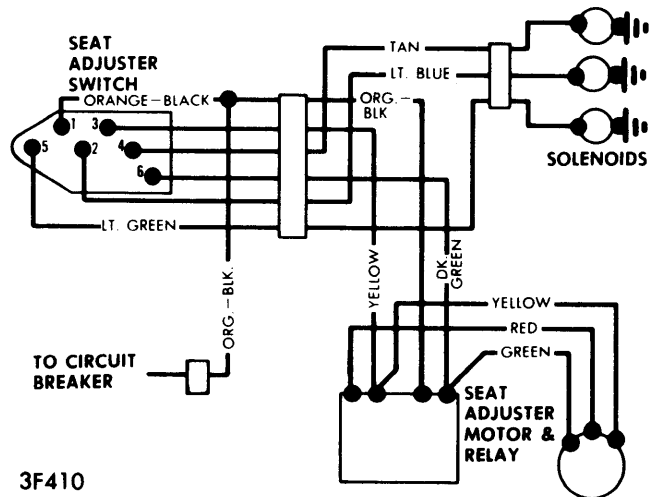
**FORD MOTOR CO. SIX-WAY POWER SEAT WIRING (BENCH SEAT)**



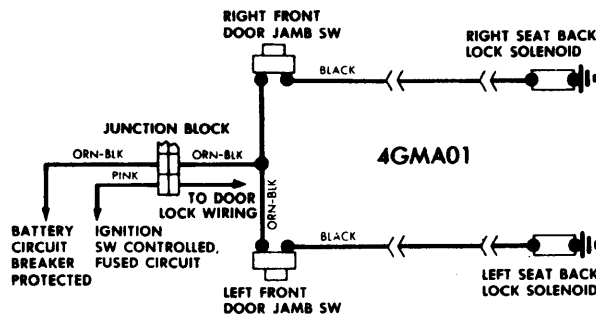
**GENERAL MOTORS TWO-WAY POWER SEAT WIRING**



**FORD MOTOR CO. SIX-WAY POWER SEAT WIRING (SPLIT BENCH)**



**GENERAL MOTORS SIX-WAY POWER SEAT WIRING**



**GENERAL MOTORS SEAT RACK LATCH WIRING**