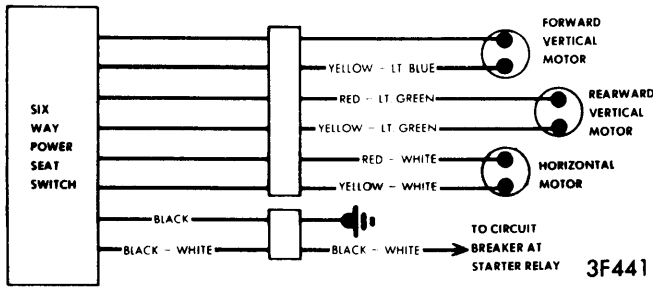
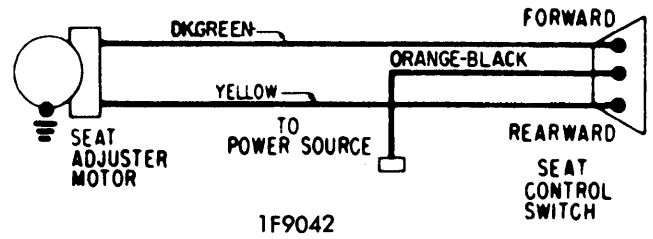


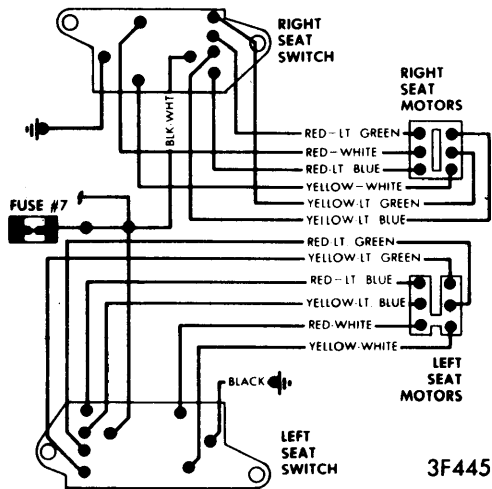
1975 Power Seat Controls



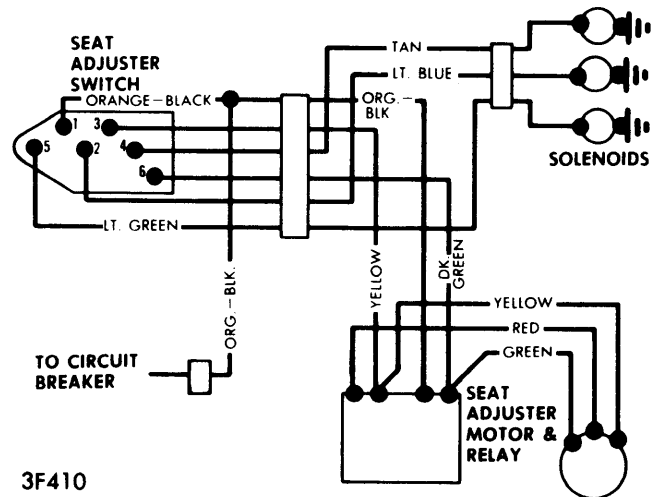
FORD MOTOR CO. SIX-WAY POWER SEAT WIRING (BENCH SEAT)



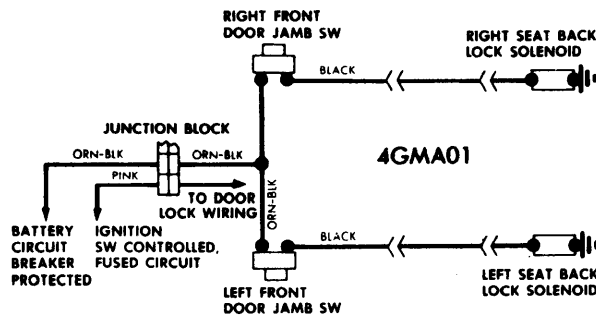
GENERAL MOTORS TWO-WAY POWER SEAT WIRING



FORD MOTOR CO. SIX-WAY POWER SEAT WIRING (SPLIT BENCH)



GENERAL MOTORS SIX-WAY POWER SEAT WIRING



GENERAL MOTORS SEAT RACK LATCH WIRING